

TATUUS F4 T-421



FIA F4 GEN2 Parts Classification

Release 1.0.2 (14/01/2022)

PART CLASSIFICATION

RELEASE HISTORY v1.0.2

Part Classification Release Number (1.2.3.a)	
Reference Spare Part Catalogue version	Part Classification sub-version <i>(after the first update)</i>
1.2.3	.a

VERSION	DATE	CHANGES
1.0.1_DRAFT	17/12/2021	First Draft Document (internal)
1.0.2	14/01/2022	First Documento Release

It is reminded that FIA regulations state:

2.7 Modifications to car design

2.7.1. General

The complete car is divided into three types of part.

Type 1: These parts must be supplied by the manufacturer and used exactly as supplied. Repairs may be carried out only by the manufacturer.

Type 2: These parts are Type 1 parts with specific restrictions. Only the modifications indicated in the homologation may be carried out. Repairs are allowed only in the range described in the homologation.

Type 3: These parts are unrestricted, provided that they are used as designed by the manufacturer and do not fulfil any additional function.

The above-mentioned parts classification and the user manual form part of the homologation, both documents will be supplied by the respective manufacturer.

The adding of colour or thin adhesive film up to a thickness of 0.5 mm is not considered as a modification, provided that the colour or film fulfils only an optical function.

2.7.2. Standard mounting parts

Standard mounting parts, such as screws, nuts, bolts, washers and lock washers, are considered as Type 3 parts unless specifically mentioned in the homologation. They may be replaced with equivalent or superior standard parts.

The thread type, size, length and pitch must remain the same.

The use of locking wire is permitted.

Any type of standard mounting part which has an influence on the car set-up is considered as a Type 1 part unless specifically mentioned in the homologation.

Only Type 3 washers may be removed.

Washers may be added only for facilitating and improving mechanical installation. They may influence the set-up of the car only when specifically mentioned in the homologation.

2.7.3. Protections

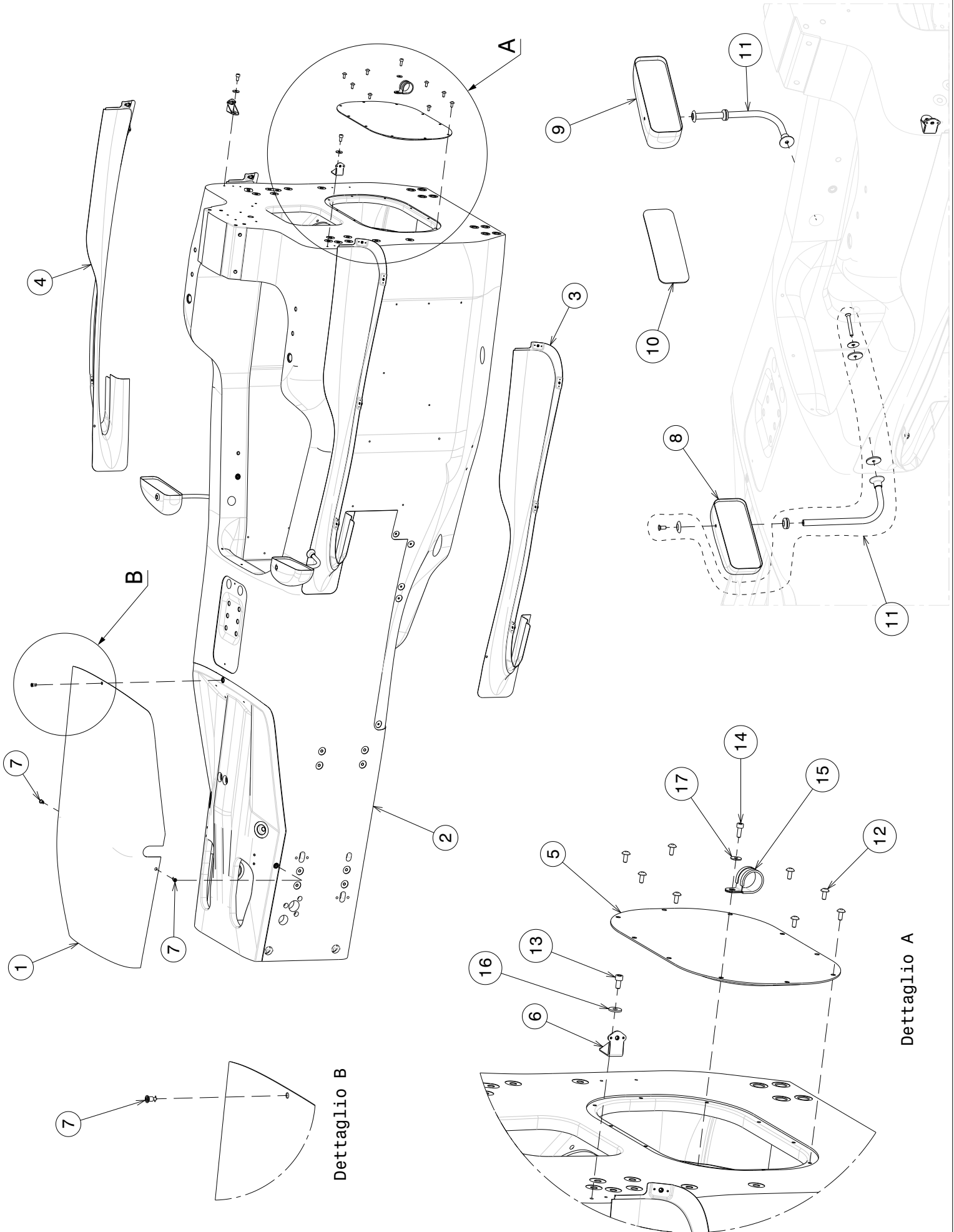
Heat protections, mechanical protections (such as abrasion protection or tape) and protections for driver comfort may be added, provided that their sole function is the protection of the relevant element and unless specifically mentioned in the homologation.

2.7.4. Bodywork

The modification of bodywork parts and bodywork supports is allowed only to ensure proper installation despite manufacturing tolerances.

2.7.5. Quick couplings

The use of quick couplings for brake, clutch and fuel lines is allowed, provided that FIA-approved dry couplings are used.



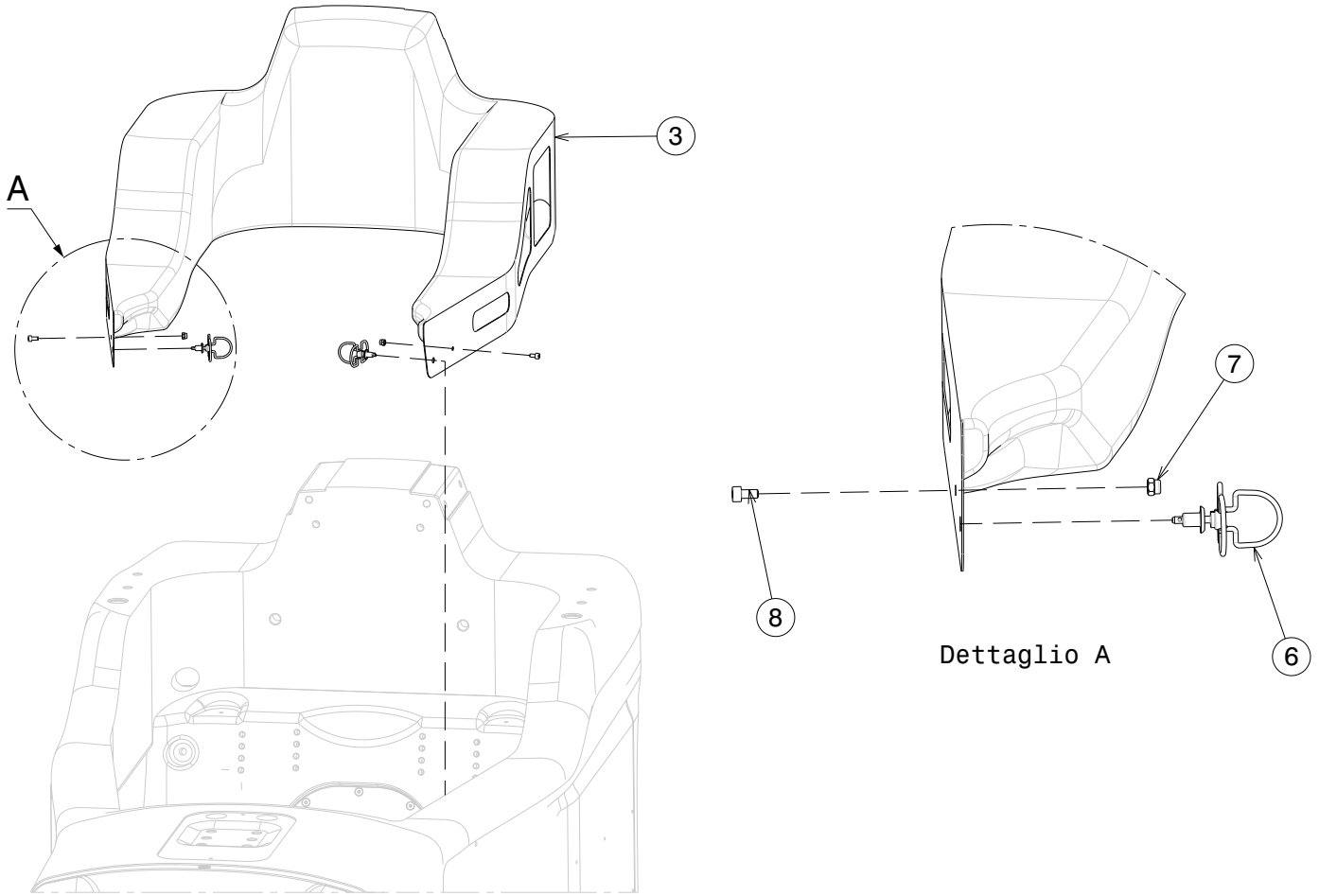
Dettaglio B

Dettaglio A

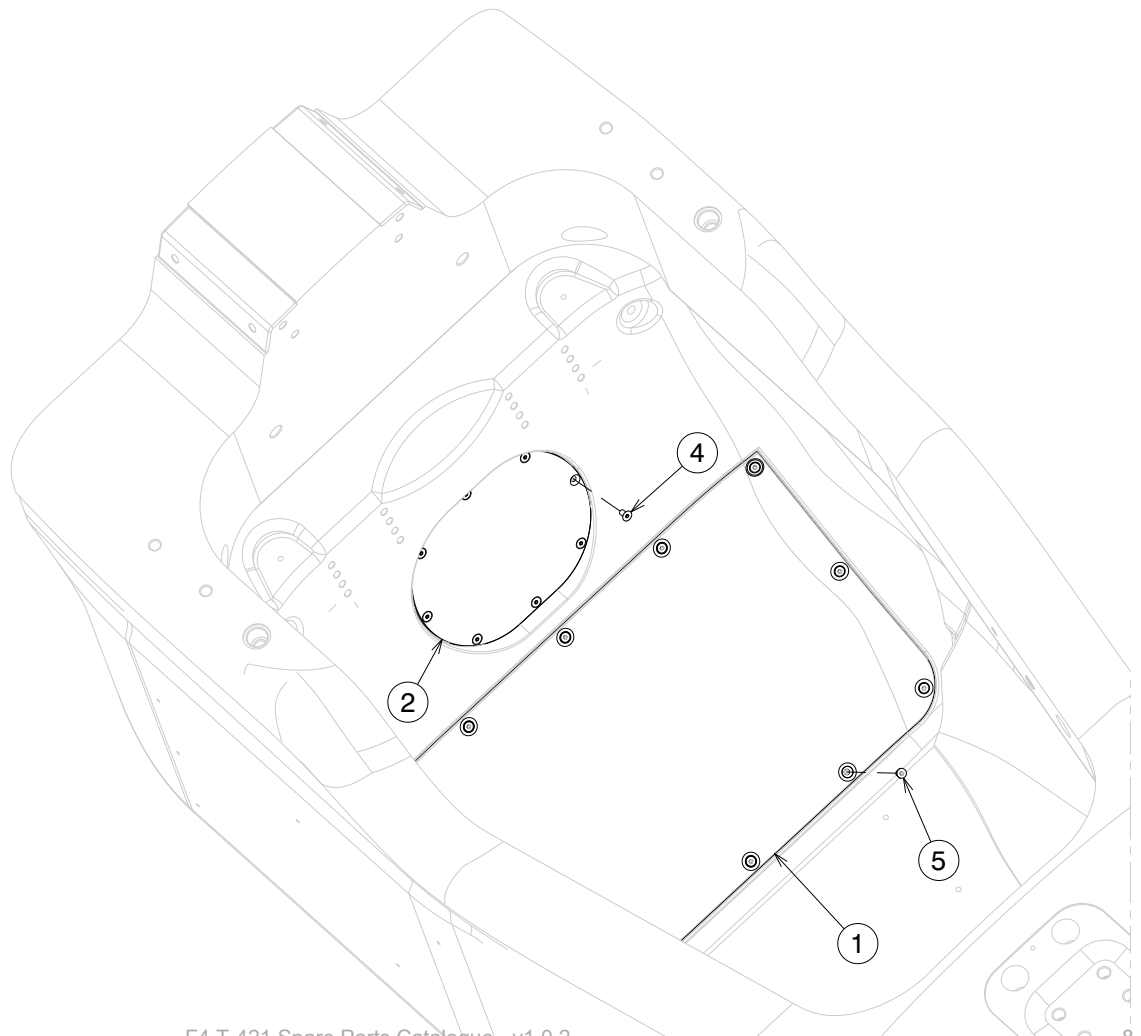
01A - CHASSIS

Item	Part Number	Descrizione	Description	1	2	3	Notes
1	3301008	Cofanetto ammortizzatori	Dampers cover		X		•
2	3301101	Telaio	Chassis		X		•
3	3302013	Labbro Chassis Sx (ricambio)	Lh Chassis Lip (spare)				
4	3302014	Labbro Chassis Dx (ricambio)	Rh Chassis Lip (spare)				
5	2801013	Coperchio chiusura vano serbatoio	Fuel cell compartment hatch	X			
6	010301024	Squadretta rollbar	Rollbar Mounting	X			
7	27S32F	Perno ¼ di giro	Quarter turn stud			X	
8	TM01003	Calotta Completa Sx (con Specchio)	Lh Mirror Head (w/ Mirror)		X		•
9	TM01004	Calotta Completa Dx (con Specchio)	Rh Mirror Head (w/ Mirror)		X		•
10	TM01006	Specchio (ricambio)	Mirror (spare)				
11	TM01009	Gambo completo	Mirror stem	X			
12	UNI7380-TX-M5X12	Vite TB Torx	BH Torx Screw			X	
13	UNI5931-M6X12	Vite TC	SHCS screw			X	
14	UNI5931-M5X14	Vite TC	SHCS screw			X	
15	PAS028	Fascetta Blueline	Blueline clamp			X	
16	UNI6593-6X18	Rondella larga	Large washer			X	
17	UNI6593-5X15	Rondella larga	Large washer			X	

- #1 3301008 Bodywork can be repaired over a surface enclosed in a 150x150mm area. It is allowed to add holes up to 15mm diameter only to allow antenna installation.
- #2 3301101 *It is allowed to repair threads except the ones for safety devices (HALO, rollhoop and front impact structures). It is allowed to cover the fuel compartment with non-flammable foam or tape to protect the fuel bladder. Chassis lips can be repaired over a surface enclosed in a 200x200mm area or replaced with items #3 and #4.*
- #8 TM01003 It is allowed to repair the mirror using #10 TM01006.
- #9 TM01004 It is allowed to repair the mirror using #10 TM01006.

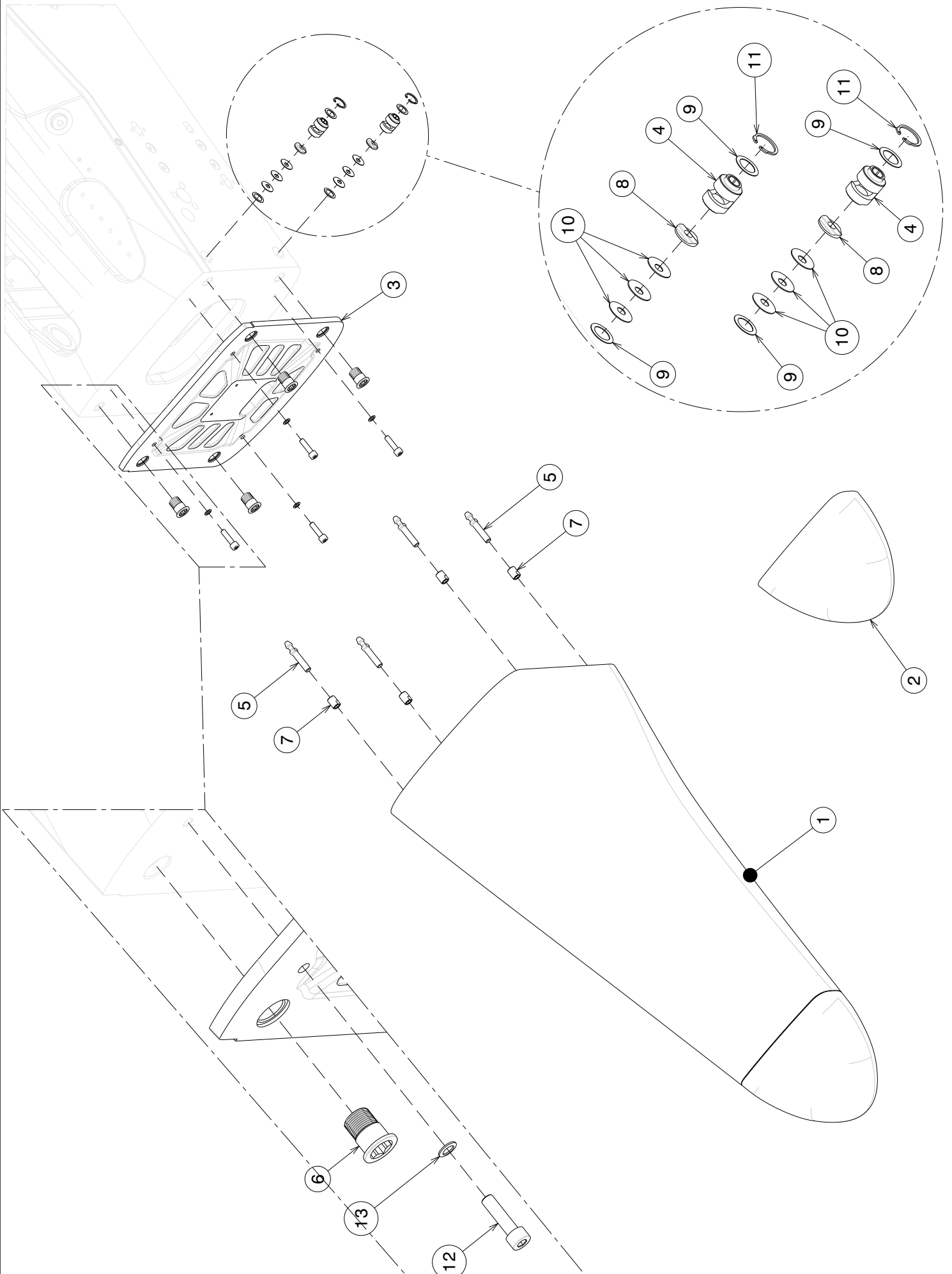


Dettaglio A



01B - CHASSIS

Item	Part Number	Descrizione	Description	1	2	3	Notes
1	3301040	Tappo Batteria	Battery Hatch	X			
2	3301041	Tappo Oblò Serbatoio	Bulkhead panel	X			
3	3301052	Poggiatesta completo	Headrest Assy	X			
4	UNI5933-M5X10	vite TS	SHCSH screw			X	
5	UNI5933-TX-M5X12	Vite TS Torx	SHCSH Torx screw			X	
6	26S222	Perno ¼ di giro	Quarter turn stud			X	
7	UNI7473-M4	K-nut	K-nut			X	
8	UNI5931-M4X8	vite TC	SHCS screw			X	

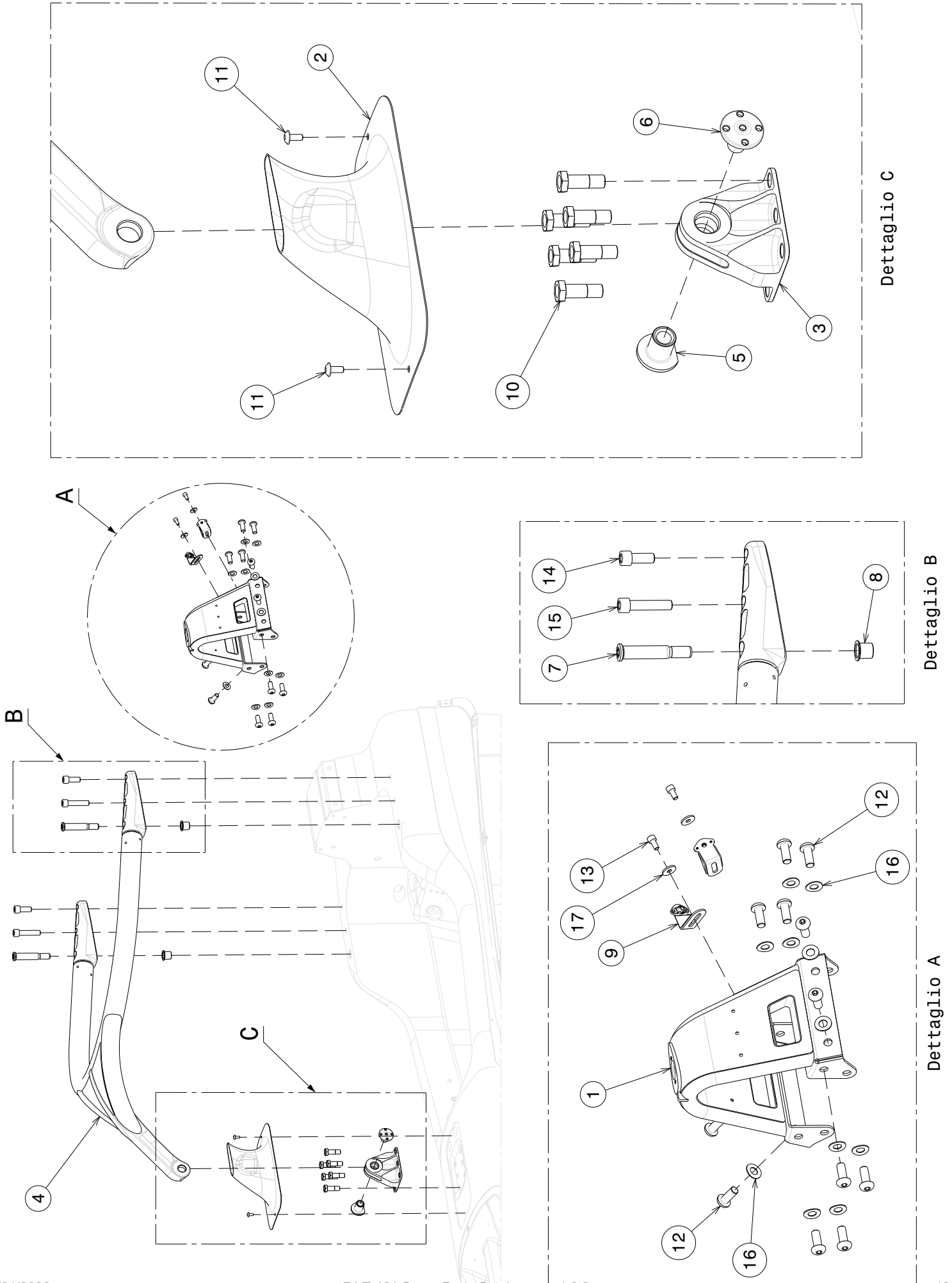


01C - CHASSIS

Item	Part Number	Descrizione	Description	1	2	3	Notes
1	3301103	Musetto	Nosebox		X		•
2	3301032	Puntalino Muso	Front nose				
3	3301054	FAIP	FAIP	X			
4	2401020	Camma eccentrica	Quick release barrel	X			
5	2401021	Perno muso	Quick release pin	X			
6	2401022	Ghiera centraggio	Centering bush	X			
7	2401023	Ghiera Pin muso	Nosebox lock nut	X			
8	2401025	Fermo camma eccentrica	Barrel block	X			
9	2401059	Rasamento camma eccentrica 0.5 mm	0.5 mm Quick release barrel shim		X		•
10	S4271	Molla a tazza	Belleville washer	X			
11	J24X1,2V	Seeger JV	JV Seeger			X	
12	UNI5931-M8X30	vite TC	SHCS screw	X			
13	RZS8	Rondella zigrinata	Safety washer			X	

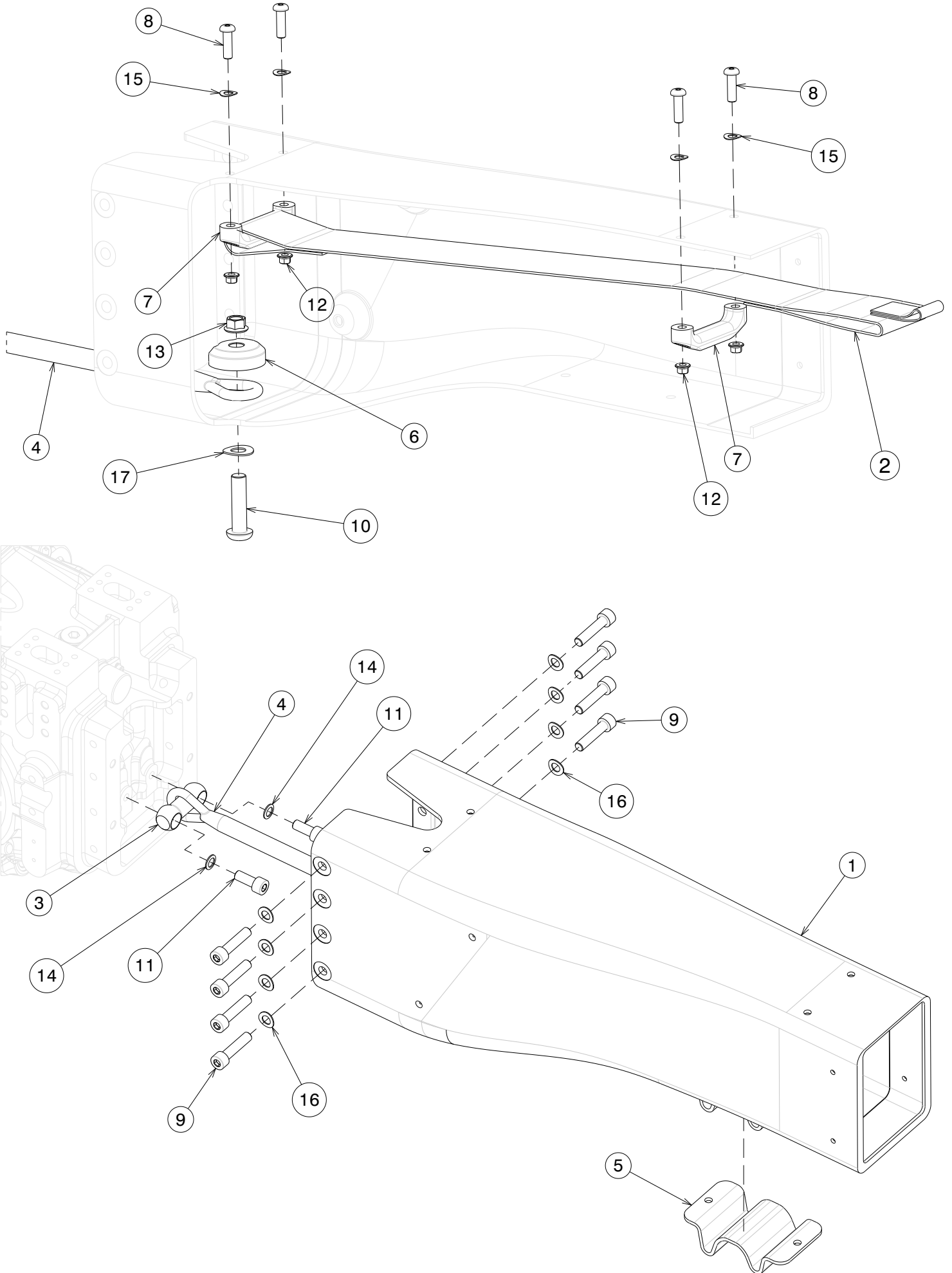
#1 3301103 It is allowed to replace the nose tip using #2 (3301032) according to the procedure reported in the user manual. It is allowed to repair threads.

#9 2401059 Number and stack of shims is free.



01D - CHASSIS

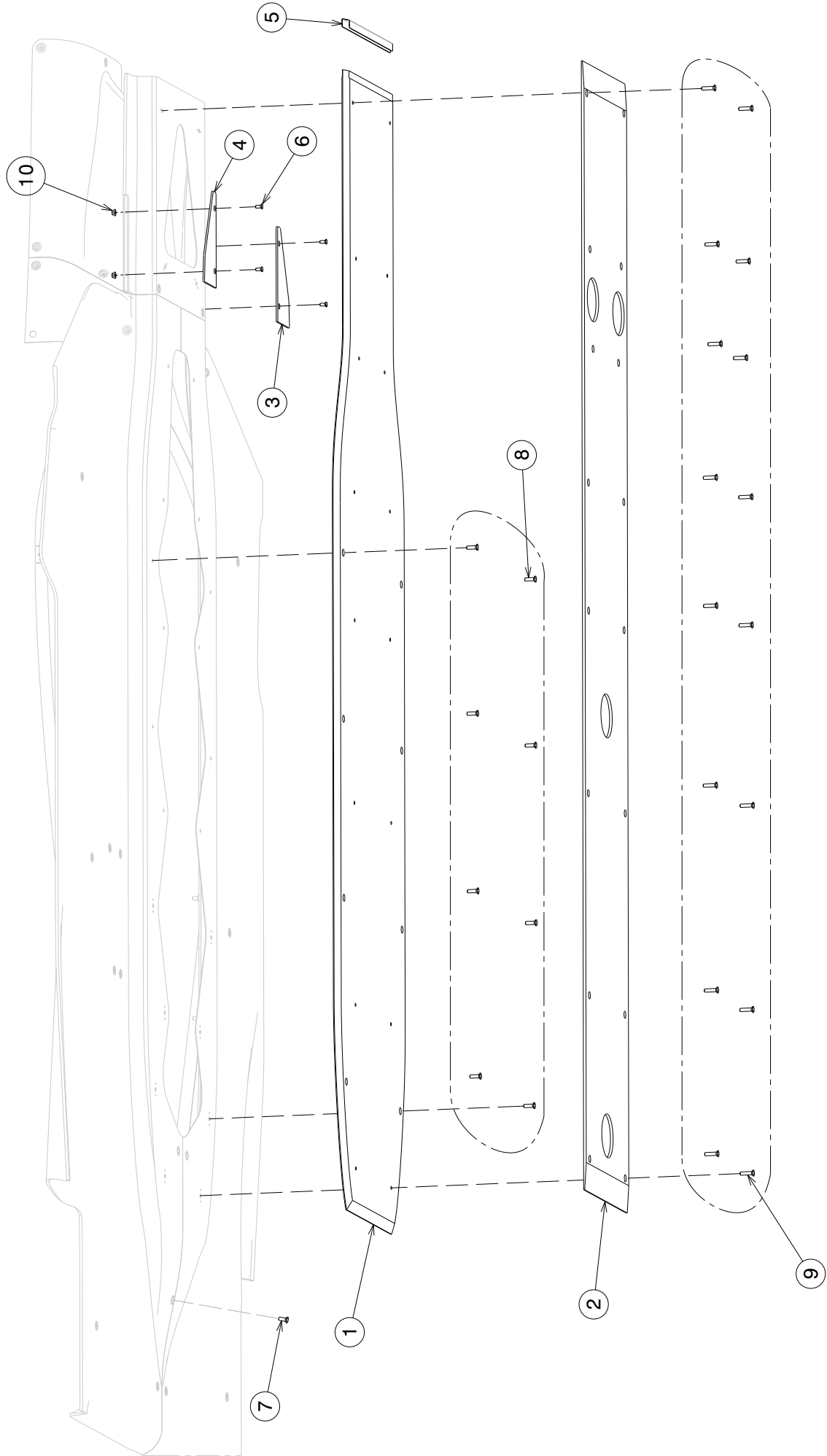
Item	Part Number	Descrizione	Description	1	2	3	Notes
1	3301004	Rollbar	Rollhoop	X			
2	3301043	Carenatura HALO	HALO fairing	X			
3	2801010	Bracket HALO	Front bracket HALO	X			
4	2401009	HALO	HALO	X			
5	2401016	Perno fissaggio anteriore HALO	HALO front fixing pin	X			
6	2401017	Vite fissaggio anteriore HALO	HALO front fixing screw	X			
7	2401033	Vite speciale	Special screw	X			
8	2401040	Boccola	Bush	X			
9	010301024	Squadretta rollbar	Rollbar Mounting	X			
10	NAS620712	vite NAS	NAS bolt	X			
11	UNI7380-TX-M5X12	Vite TB Torx	BH Torx Screw			X	
12	UNI7380-M10X25	vite TB	SHBS screw	X			
13	UNI5931-M6X12	vite TC	SHCS screw			X	
14	UNI5931-M12X30-CL12.9	vite TC	SHCS screw	X			
15	UNI5931-M12X55-CL12.9	vite TC	SHCS screw	X			
16	UNI8840B-10	Rondella ondulata	Crinkle washer			X	
17	UNI6593-6X18	Rondella larga	Large washer			X	



01E - CRASHBOX

Item	Part Number	Descrizione	Description	1	2	3	Notes
1	3301011	Crashbox Posteriore	Rear Impact Structure		X		•
2	2401031	Nastro Traino Vettura	Towing Belt	X			
3	2410025	Fissaggio cavo ritenzione	Tether Fitting	X			
4	2401058	Tether RIS	RIS Tether	X			
5	161804007	Gancio sollevamento (ricambio)	Lift Hook (spare)				
6	161507014	Anello cavo di ritenzione	Tether Fitting	X			
7	030201010	Attacco cinture superiori	Shoulder belt mount	X			
8	UNI7380-M6X20	vite TB	SHBS screw			X	
9	UNI5931-M8X35 cl.12.9	vite TC	SHCS screw	X			
10	UNI7380-M10X40	vite TB	SHBS screw	X			
11	UNI5931-M8X20	vite TC	SHCS screw	X			
12	AST-06	K-nut	K-nut			X	
13	AST-10X1,5	K-nut	K-nut			X	
14	RZS8	Rondella zigrinata	Safety washer			X	
15	UNI8840B-6	Rondella ondulata	Crinckle washer			X	
16	UNI8840B-8	Rondella ondulata	Crinckle washer			X	
17	UNI8840B-10	Rondella ondulata	Crinckle washer			X	

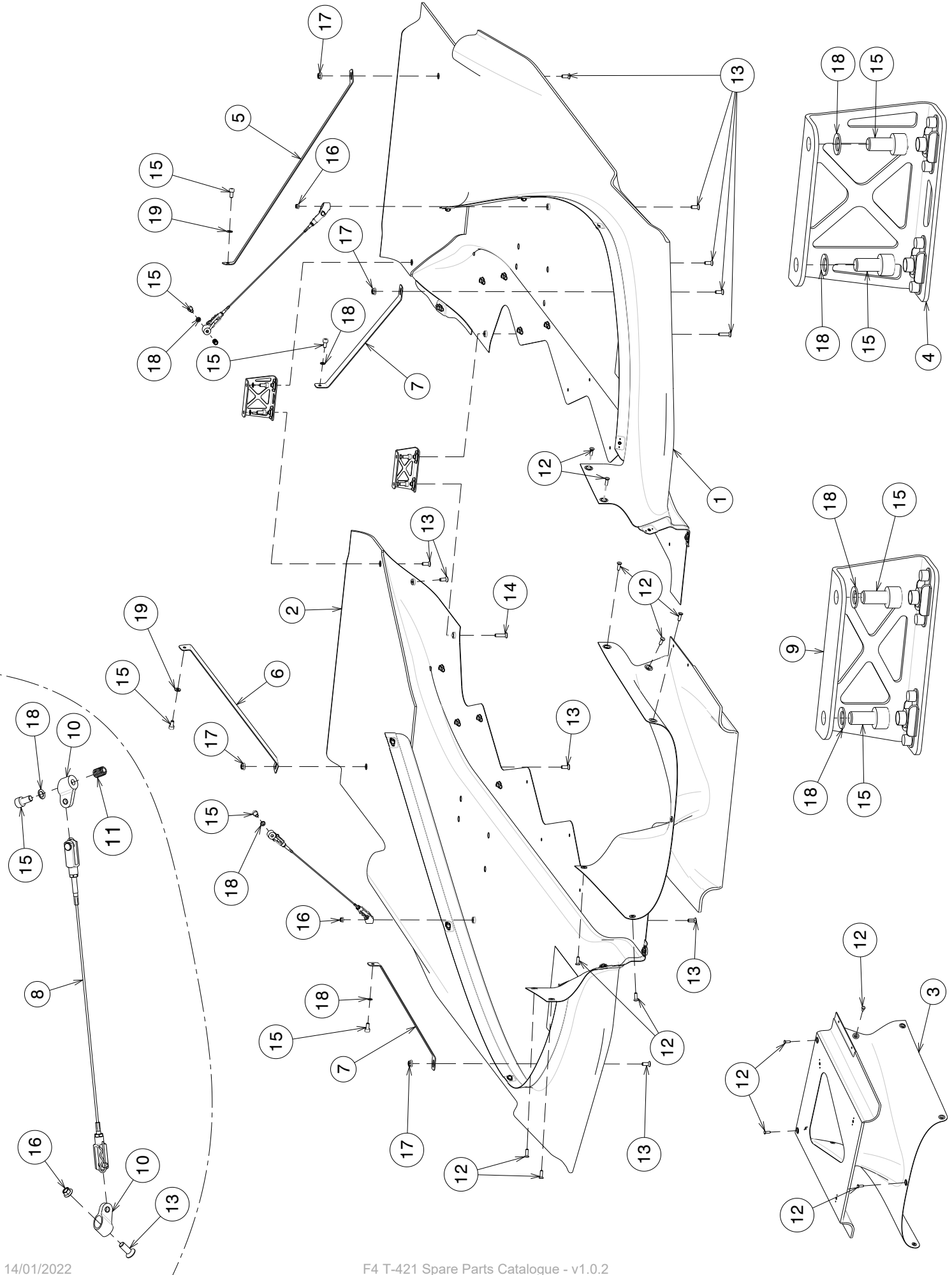
#1 3301011 It is allowed to repair threads. Lift Hook can be replaced with item #5 (161804007)



NOTE:
Bond the wooden plank shield (5) to the wooden plank (1).

02A - WOODEN SKID

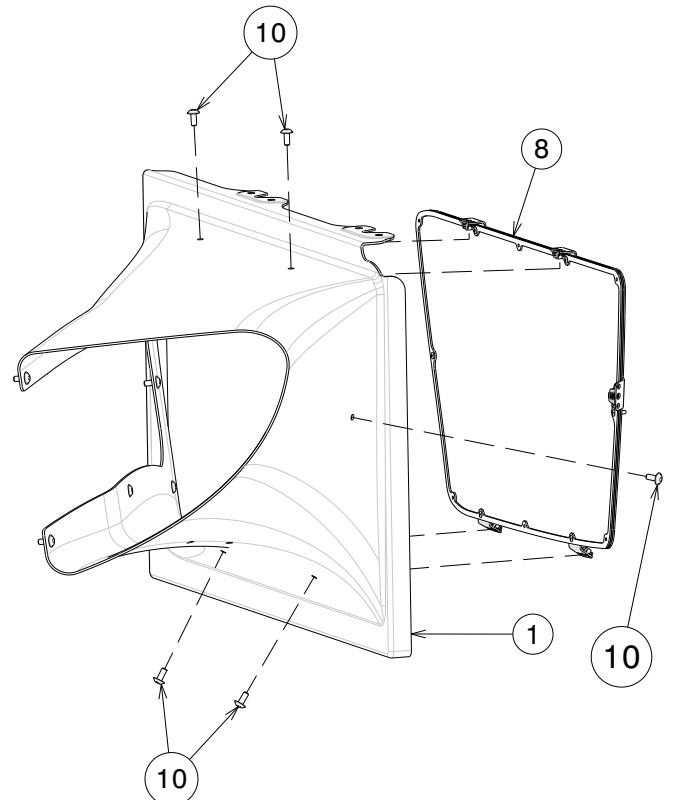
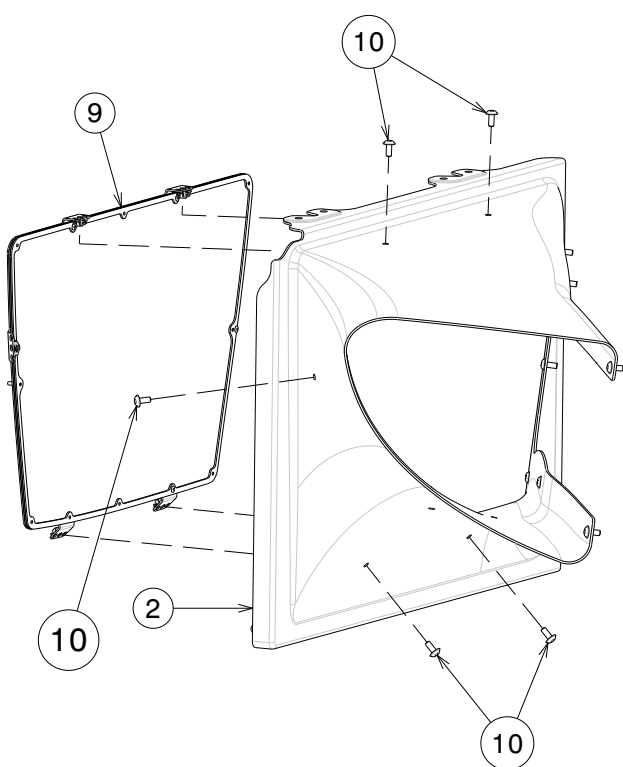
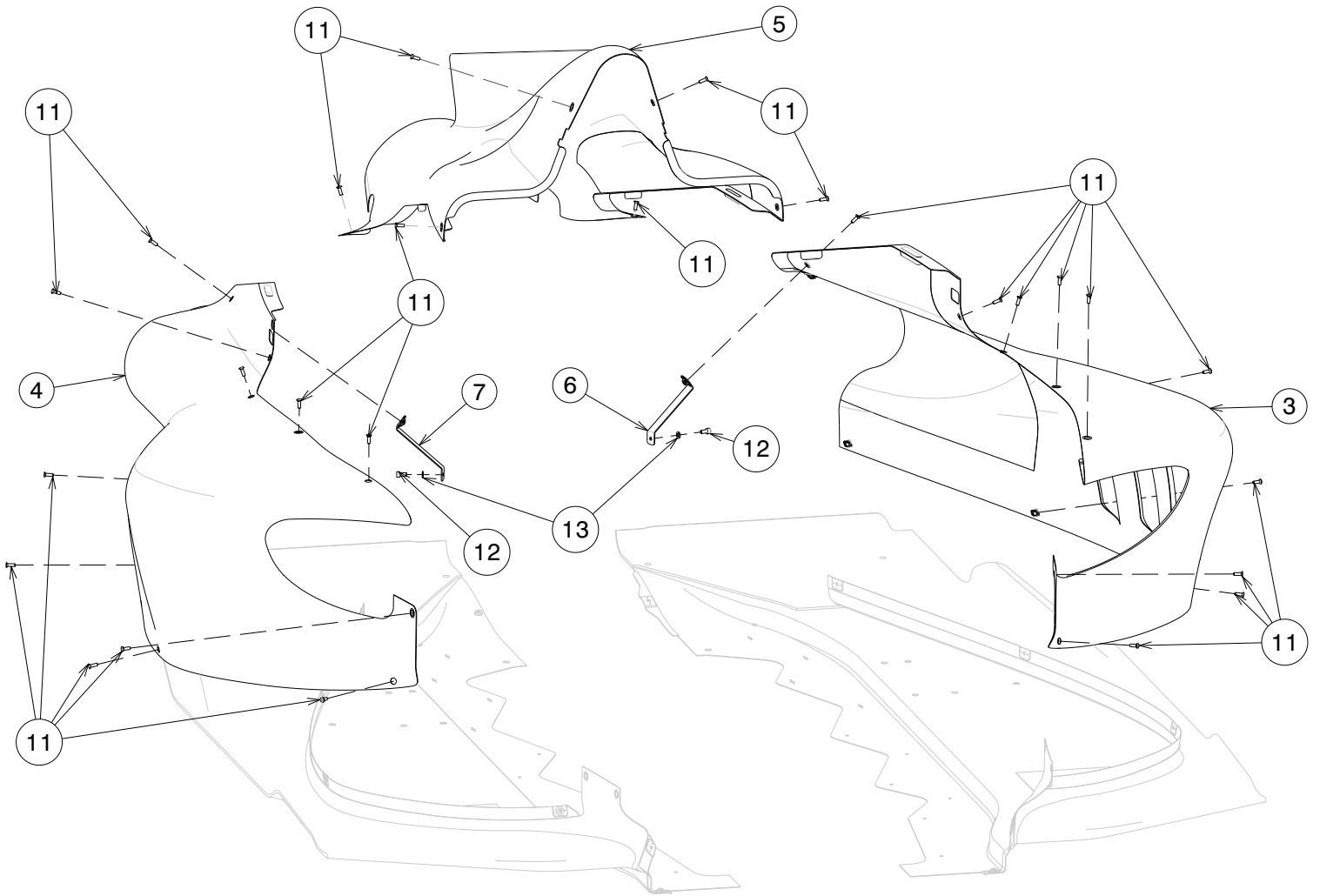
Item	Part Number	Descrizione	Description	1	2	3	Notes
1	3302005	Legno	Wooden Plank	X			
2	3302006	Slitta	Skid block	X			
3	3302015	Shadow Sx	Lh Shadow	X			
4	3302016	Shadow Dx	Rh Shadow	X			
5	3302035	Protezione Legno	Wooden Plank Shield	X			
6	UNI5933-TX-M5X12	Vite TS Torx	SHCSH Torx Screw			X	
7	UNI5933-TX-M6X16	Vite TS Torx	SHCSH Torx Screw			X	
8	UNI5933-TX-M6X20	Vite TS Torx	SHCSH Torx Screw			X	
9	UNI5933-TX-M6X25	Vite TS Torx	SHCSH Torx Screw			X	
10	DIN6927-M5	Dado flangiato autofrenante	K-lock			X	



02B - UNDERFLOOR

Item	Part Number	Descrizione	Description	1	2	3	Notes
1	3302007	Semifondo Sinistro	Lh Underfloor		X		•
2	3302008	Semifondo Destro	Rh Underfloor		X		•
3	3302009	Prua	Bib		X		•
4	3302021	Distanziale Cambio	Gearbox Spacer	X			
5	3302023	Tirante Cambio Sx	Lh Gearbox Stay		X		•
6	3302024	Tirante Cambio Dx	Rh Gearbox Stay		X		•
7	3302027	Tirante Telaio	Chassis Stay		X		•
8	3302031	Tirante Completo	Wire Stay Assy	X			
9	3302041	Distanziale Campana-Fondo Completo	Bellhousing Spacer	X			
10	101002101	Fissaggio tirante	Body stay mounting	X			
11	55716	ENSAT M6	ENSAT M6			X	
12	UNI5933-TX-M5X16	Vite TS Torx	SHCSH Torx Screw			X	
13	UNI5933-TX-M6X16	Vite TS Torx	SHCSH Torx Screw			X	
14	UNI5933-TX-M6X25	Vite TS Torx	SHCSH Torx Screw			X	
15	UNI5931-M6X12	vite TC	SHCS screw			X	
16	AST-06	K-nut	K-nut			X	
17	DIN6927-M6	Dado flangiato autofrenante	K-lock			X	
18	RZS-6	Rondella zigrinata	Safety washer			X	
19	UNI6592-6	Rondella piana	Plain washer			X	

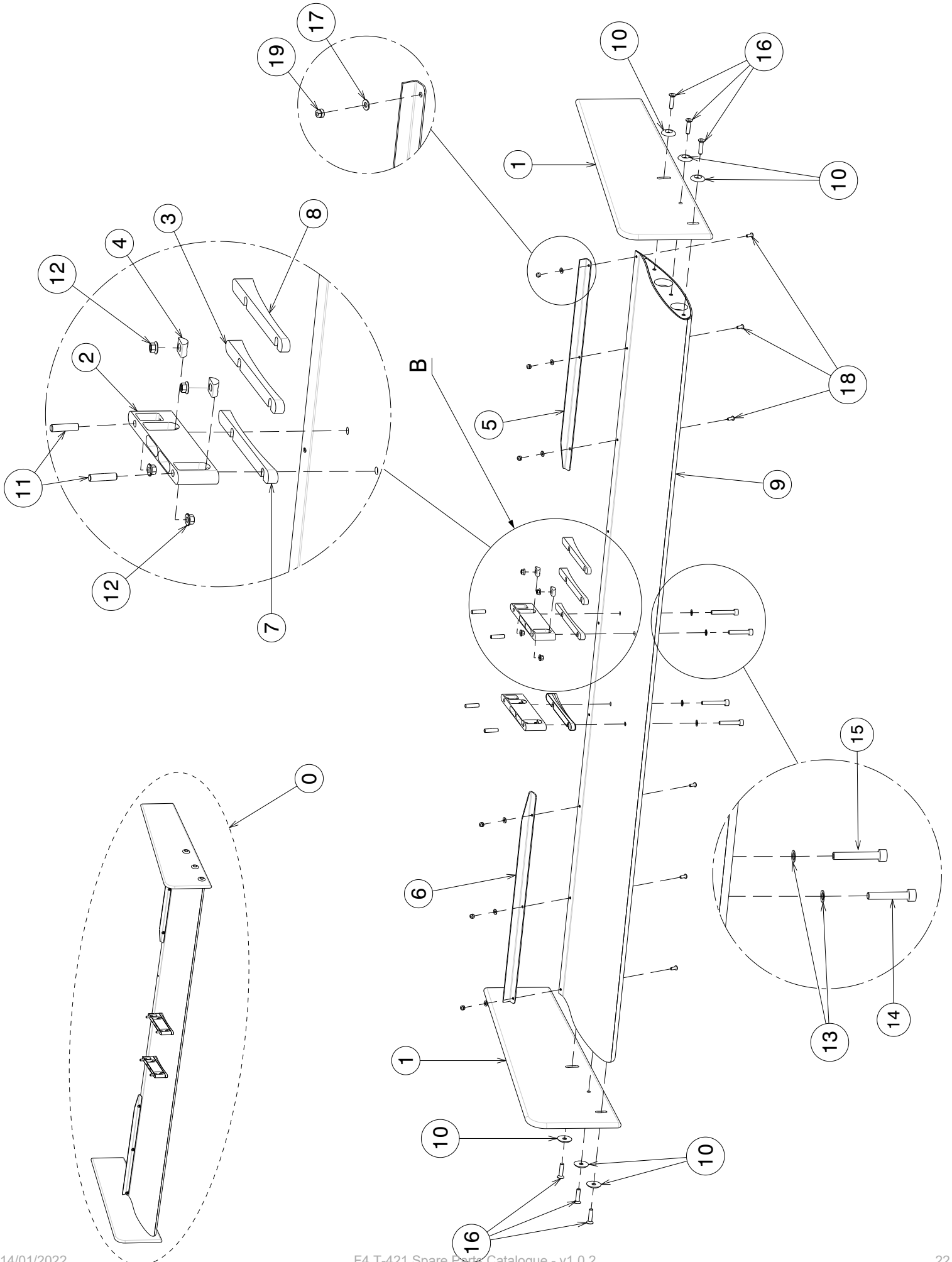
- | | | |
|----|---------|---|
| #1 | 3302007 | Bodywork can be repaired over a surface enclosed in a 300x300mm area |
| #2 | 3302008 | Bodywork can be repaired over a surface enclosed in a 300x300mm area |
| #3 | 3302009 | Bodywork can be repaired over a surface enclosed in a 150x150mm area |
| #5 | 3302023 | It is allowed to round the corners of the stays with a radius of no more than 5 mm. |
| #6 | 3302024 | It is allowed to round the corners of the stays with a radius of no more than 5 mm. |
| #7 | 3302027 | It is allowed to round the corners of the stays with a radius of no more than 5 mm. |



02C - BODYWORK

Item	Part Number	Descrizione	Description	1	2	3	Notes
1	3302003	Convogliatore Sinistro	Lh Sidepod Duct		X		•
2	3302004	Convogliatore Destro	Rh Radiator Duct		X		•
3	3302011	Pancia Sinistra	Lh Sidepod		X		•
4	3302012	Pancia Destra	Rh Sidepod		X		•
5	3302017	Cofano Motore	Engine Cover		X		•
6	3302025	Supporto Cofano Sx	Lh Engine Cover Stay	X			
7	3302026	Supporto Cofano Dx	Rh Engine Cover Stay	X			
8	3302037	Rete Protezione Radiatore Sx Completa	Lh Stone Guard		X		•
9	3302038	Rete Protezione Radiatore Dx Completa	Rh Stone Guard		X		•
10	UNI7380-TX-M5X12	Vite TB Torx	BH Torx Screw			X	•
11	UNI5933-TX-M5X16	Vite TS Torx	SHCSH Torx Screw			X	
12	UNI5931-M6X12	vite TC	SHCS screw			X	
13	UNI6592-6	Rondella piana	Plain washer			X	

- | | | |
|-----|------------------|--|
| #1 | 3302003 | Blanking is allowed minimum 150mm behind the air duct inlet. Rubber sealing can be added. Bodywork can |
| #2 | 3302004 | Blanking is allowed minimum 150mm behind the air duct inlet. Rubber sealing can be added. Bodywork can |
| #3 | 3302011 | Bodywork can be repaired over a surface enclosed in a 300x300mm area. |
| #4 | 3302012 | Bodywork can be repaired over a surface enclosed in a 300x300mm area. |
| #5 | 3302017 | Bodywork can be repaired over a surface enclosed in a 300x300mm area. |
| #8 | 3302037 | Optional item. |
| #9 | 3302038 | Optional item. |
| #10 | UNI7380-TX-M5X12 | Optional item. |

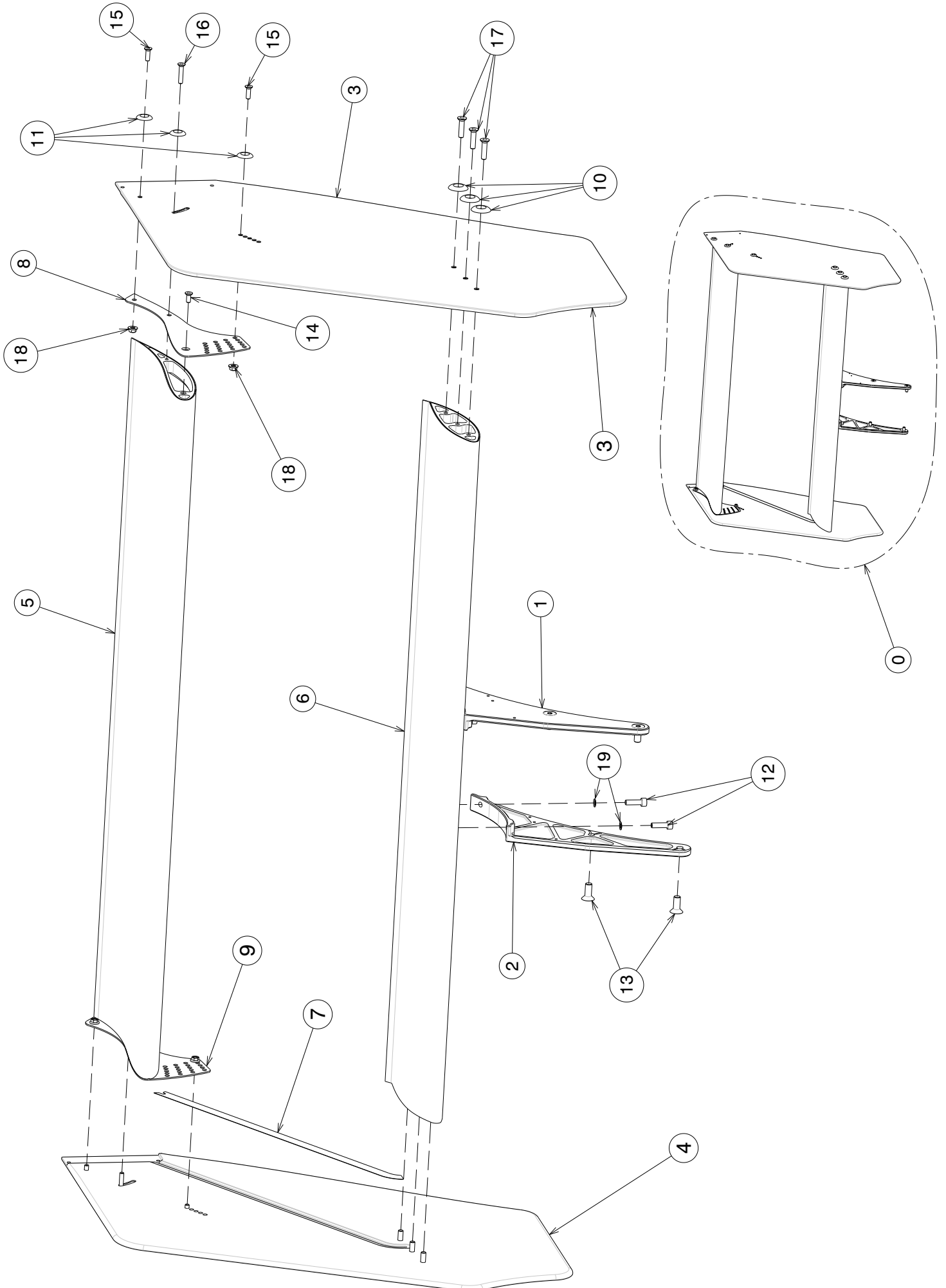


03A - FRONT WING

Item	Part Number	Descrizione	Description	1	2	3	Notes
0	3303001	Ala anteriore completa	Front wing assy				
1	3303003	Bandella Anteriore	Front Wing Endplate	X			
2	161404011	Palo Ala Anteriore	Wing pillar	X			
3	161404015	Regolazione ala anteriore (5°)	Front wing adjuster (5°)		X		•
4	161404017	Boccola	Adjustment bush	X			
5	161404023	Nolder Sx	Lh Gurney		X		•
6	161404024	Nolder Dx	Rh Gurney		X		•
7	161404032	Regolazione ala anteriore (7°)	Front wing adjuster (7°)		X		•
8	161404035	Regolazione ala anteriore (3°)	Front wing adjuster (3°)		X		•
9	161504003	Ala anteriore CF	Front wing CF		X		•
10	080602008	Rondella speciale	Button washer	X			
11	010011020	Prigioniero	Stud	X			
12	AST-06	K-nut	K-nut			X	
13	RZS6	Rondella zigrinata	Safety washer			X	
14	UNI5931-M6X35	vite TC	SHCS screw			X	
15	UNI5931-M6X40	vite TC	SHCS screw			X	
16	UNI5933-TX-M6X25	Vite TS Torx	SHCSH Torx Screw			X	
17	UNI6592-4	Rondella piana	Plain washer			X	•
18	UNI7380-M4X10	vite TB	SHBS screw			X	•
19	UNI7474-M4	K-nut	K-nut			X	•

- #3 161404015 Alternative to 161404032 and 161404035.
 #5 161404023 Optional item.
 #6 161404024 Optional item.
 #7 161404032 Alternative to 161404015 and 161404035.
 #8 161404035 Alternative to 161404015 and 161404032.
 #9 161504003 It is allowed to repair threads.
 #17 UNI6592-4 Optional item.
 #18 UNI7380-M4X10 Optional item.
 #19 UNI7474-M4 Optional item.

03B - REAR WING



03B - REAR WING

Item	Part Number	Descrizione	Description	1	2	3	Notes
0	3303002	Ala posteriore completa	Rear wing assy				
1	3303023	Palo Ala Posteriore Sx	Lh Rear wing mount	X			
2	3303024	Palo Ala Posteriore Dx	Rh Rear wing mount	X			
3	3303025	Bandella Posteriore Sx	Rear Lh Endplate	X			
4	3303026	Bandella Posteriore Dx	Rh Rear Endplate	X			
5	3303028	Ala posteriore superiore	Rear Main Wing		X		•
6	3303029	Ala posteriore inferiore	Beam Wing		X		•
7	3303030	Tappo Cablaggio Tail-light	Tail-light loom cover		X		•
8	161404021	Bandella regolazione Sx	Lh Rear Adjustment Plate	X			
9	161404022	Bandella regolazione Dx	Rh Rear Adjustment Plate	X			
10	080602008	Rondella speciale	Button washer	X			
11	010602011	Rondella bombata M5	Button washer M5	X			
12	UNI5931-M6X20	vite TC	SHCS screw	X			
13	UNI5933-M8X20	Vite TS	SHCSH screw	X			
14	UNI5933-TX-M5X12	Vite TS Torx	SHCSH Torx Screw			X	
15	UNI5933-TX-M5X16	Vite TS Torx	SHCSH Torx Screw			X	
16	UNI5933-TX-M5X25	Vite TS Torx	SHCSH Torx Screw			X	
17	UNI5933-TX-M6X25	Vite TS Torx	SHCSH Torx Screw			X	
18	DIN6927-M5	Dado flangiato autofrenante	K-lock			X	
19	RZS6	Rondella zigrinata	Safety washer			X	

#5 3303028

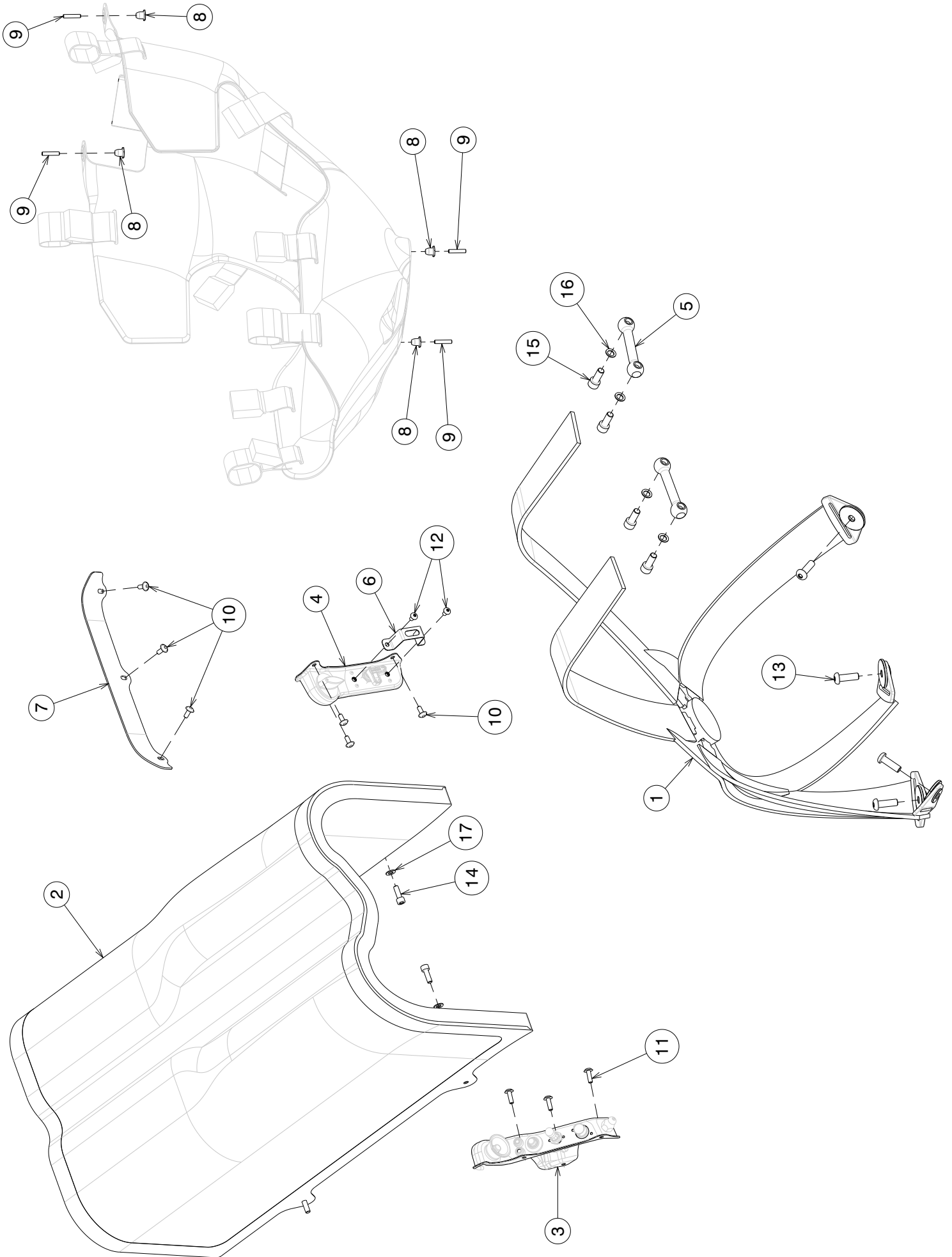
It is allowed to repair threads.

#6 3303029

It is allowed to repair threads.

#7 3303030

Can be fixed with tape or bonded to the endplates. It is allowed to locally trim the cover to better fit it on the endplate and to better fit the loom routing.



04A - COCKPIT

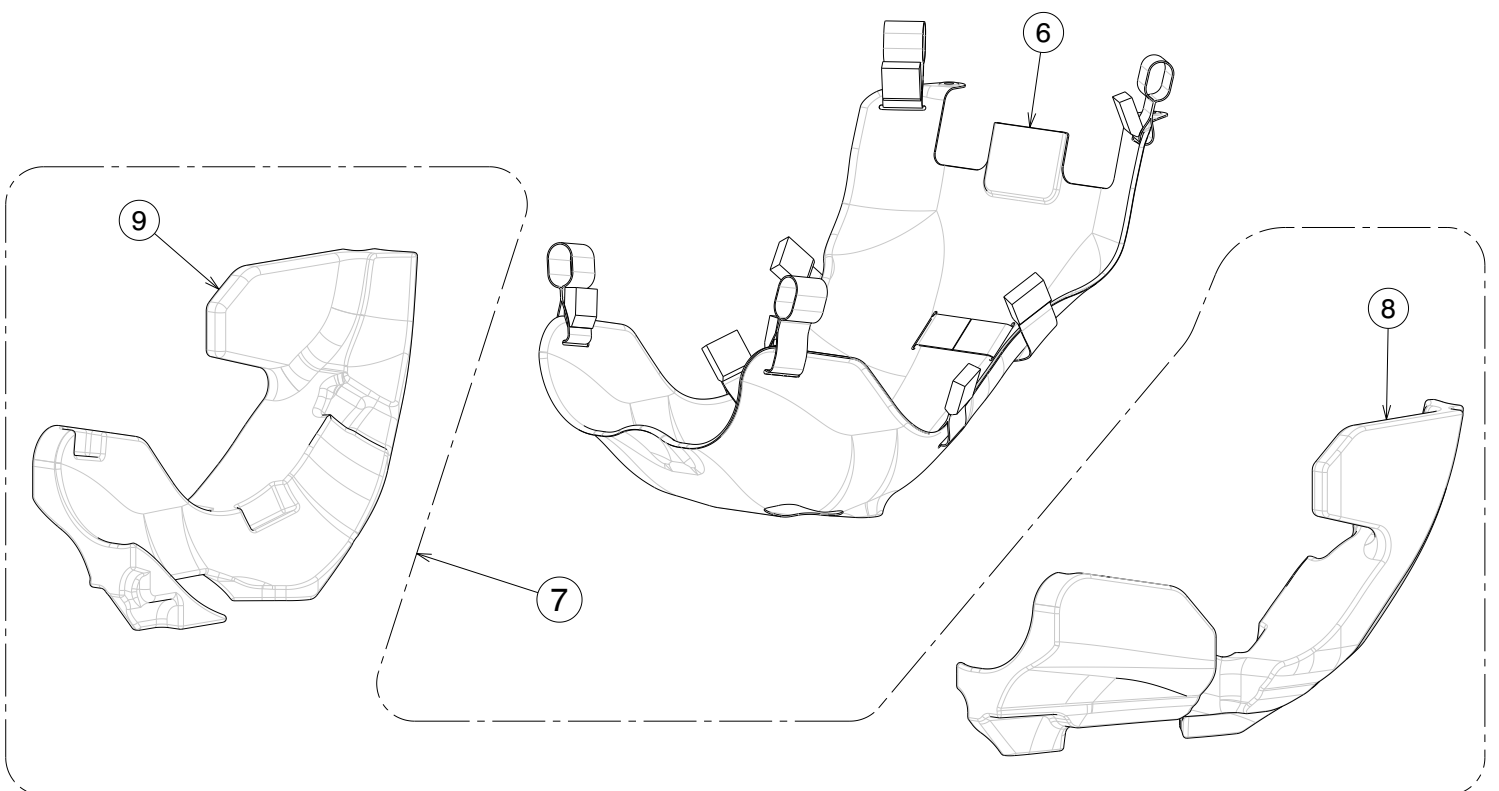
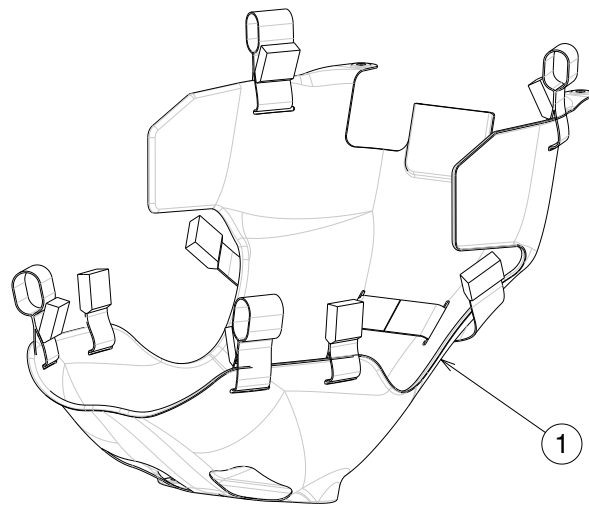
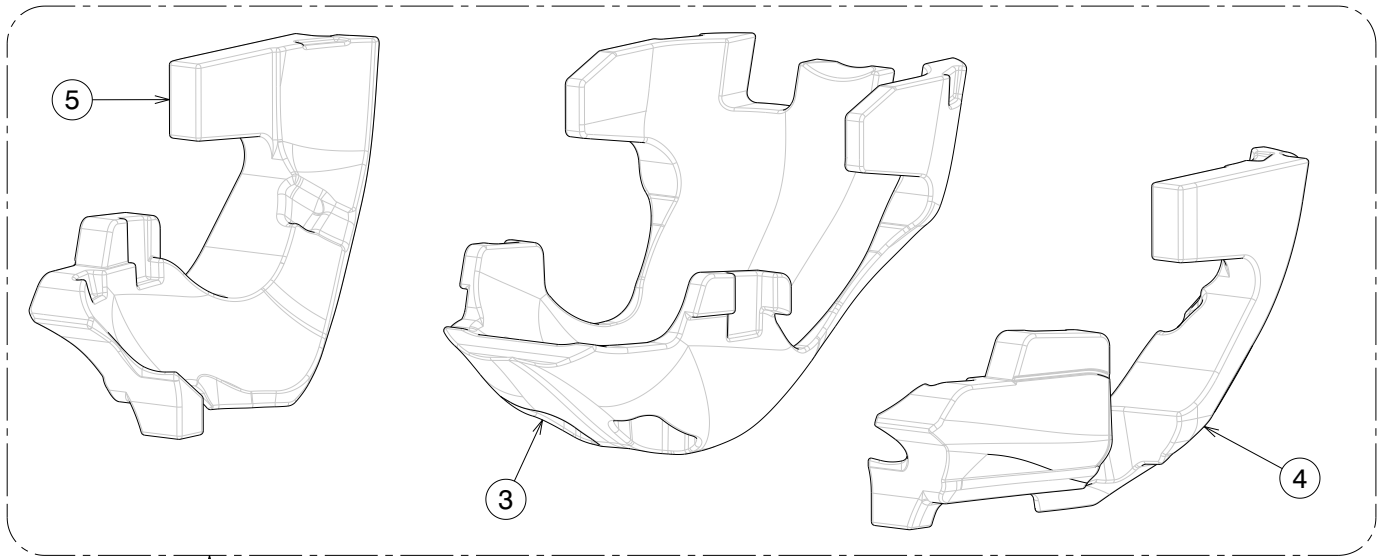
Item	Part Number	Descrizione	Description	1	2	3	Notes
1	2404011	Assieme Cinture di Sicurezza	Seat Belt Assy	X			
2	3304026	Protezione Gambe	Leg Padding		X		•
3	3304035	Plancia Strumenti	Switch panel	X			
4	3304038	Pannello Ripartitore	Brake bias panel	X			
5	2804003	Blocchetto Cinture	Safety Belt Mount	X			
6	2404017	Protezione Rubinetto Frizione	Clutch releaser protection	X			
7	2401037	Parabrezza	Wind screen		X		•
8	090901012	Centraggio	Pin	X			
9	080602013	Prigioniero	Stud	X			
10	UNI7380-TX-M5X12	Vite TB Torx	BH Torx Screw			X	
11	UNI7380-TX-M5X16	Vite TB Torx	BH Torx Screw			X	
12	UNI7380-M5X8	Vite TB	SHBS screw			X	
13	UNI7380-M8X25	vite TB	SHBS screw	X			
14	UNI5931-M6X18	vite TC	SHCS screw			X	
15	UNI5931-M8X20	vite TC	SHCS screw	X			
16	RZS-8	Rondella zigrinata	Safety washer			X	
17	AN960-1/4	Rondella piana	Plain washer			X	

#2 3304026

May be trimmed following Technical Manual specification.

#7 2401037

Windscreen may be removed

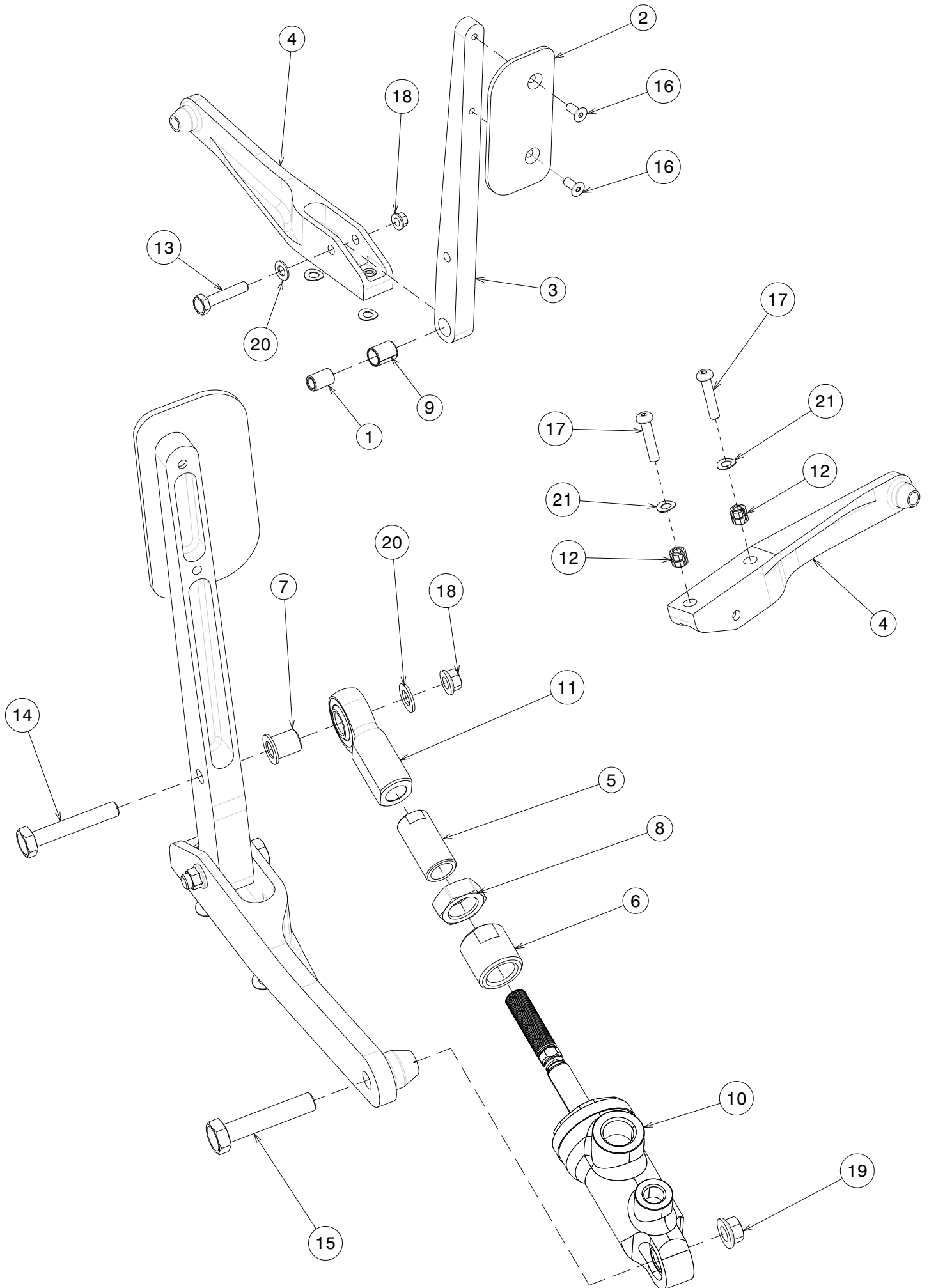


04B - COCKPIT

Item	Part Number	Descrizione	Description	1	2	3	Notes
1	3304019	Sedile MEDIUM	Medium Seat		X		•
2	3304020	KIT Gap Filler MEDIUM	Medium Gap filler Assy				
3	3304009	Gap filler adattamento SMALL / MEDIUM	Gap filler small/medium		X		•
4	3304017	Gap filler adattamento MEDIUM / CHASSIS Sx	Lh Gap filler Medium Seat/Chassis		X		•
5	3304018	Gap filler adattamento MEDIUM → CHASSIS Dx	Rh Gap filler Medium Seat/Chassis		X		•
6	3304024	Sedile LARGE	Large Seat		X		•
7	3304025	KIT Gap Filler LARGE	Large Gap filler Assy				
8	3304029	Gap filler adattamento MAX / CHASSIS Sx	Lh Gap filler Large Seat/Chassis		X		•
9	3304030	Gap filler adattamento MAX / CHASSIS Dx	Rh Gap filler Large Seat/Chassis		X		•

- #1 3304019 Alternative to 3304024. Must be coupled with 3304009 (optional), 3304017 and 3304018. May be trimmed following Technical Manual specification.
- #3 3304009 Optional item. Must be coupled with 3304017, 3304018 and 3304019. May be trimmed following Technical Manual specification.
- #4 3304017 Alternative to 3304029 and 3304030. May be trimmed following Technical Manual specification.
- #5 3304018 Alternative to 3304029 and 3304030. May be trimmed following Technical Manual specification.
- #6 3304024 Alternative to 3304019. Must be coupled with 3304029 and 3304030.
- #8 3304029 Alternative to 3304009 and 3304017. May be trimmed following Technical Manual specification.
- #9 3304030 Alternative to 3304009 and 3304017. May be trimmed following Technical Manual specification.

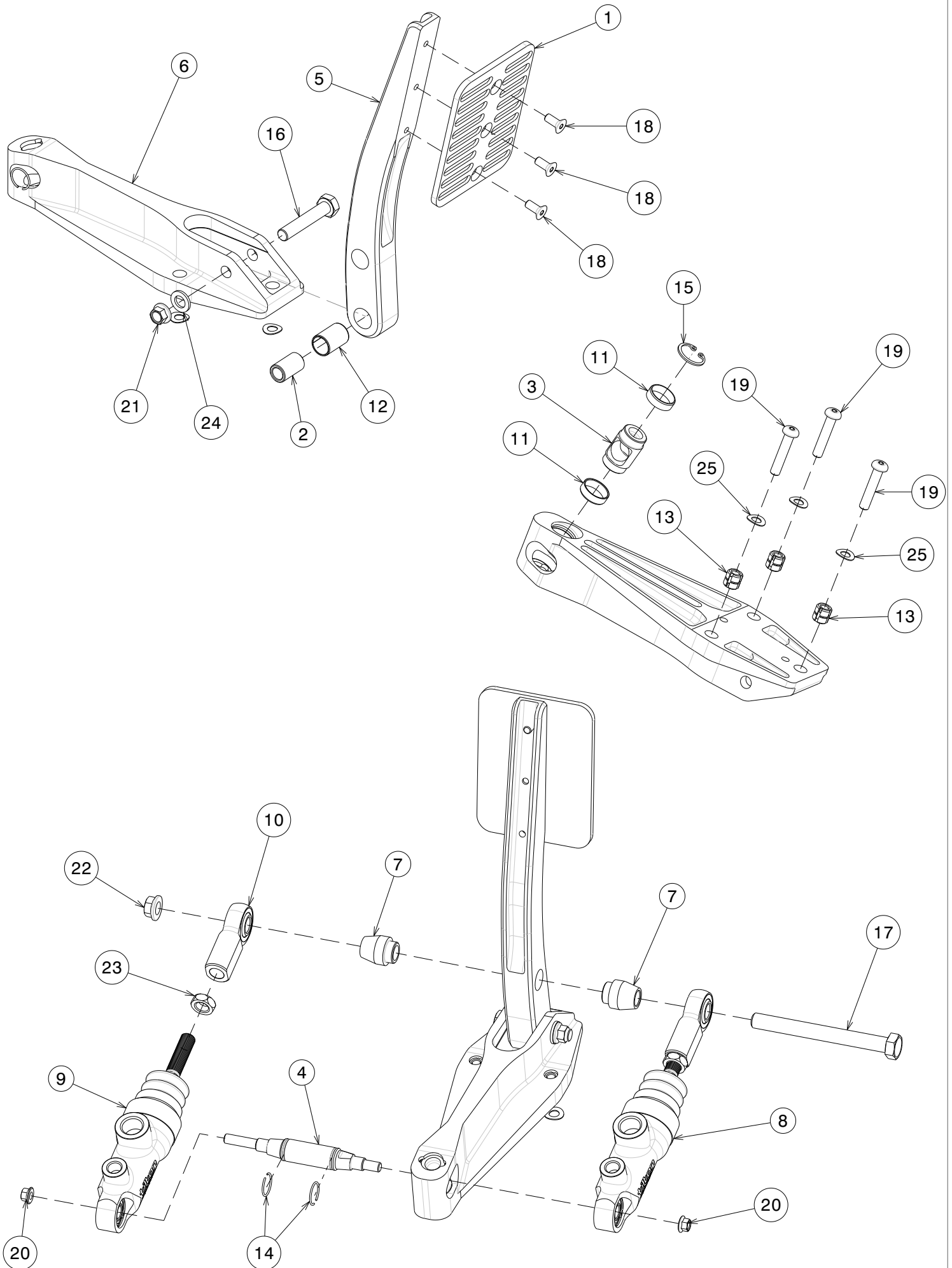
TATUUS 05A - CLUTCH PEDAL



05A - CLUTCH PEDAL

Item	Part Number	Descrizione	Description	1	2	3	Notes
1	2405014	Distanziale pedale frizione	Clutch pedal bush	X			
2	2405015	Piastra pedale frizione	Clutch pedal plate		X		•
3	2405031	Pedale frizione	Clutch pedal	X			
4	2405032	Supporto pedale frizione	Clutch pedal base		X		•
5	2405037001	Adattatore Finecorsa frizione	Clutch stop adapter	X			
6	2405037002	Finecorsa frizione	Clutch stop	X			
7	2405038	Boccola 3/8-1/4	Bush 3/8-1/4	X			
8	010004014	Dado speciale M14x1.25	Special nut M14x1.25	X			
9	PAP1015P10	Boccola autolubrificante	Plain bearing			X	
10	78625	Master cylinder 5/8"	Master cylinder 5/8"		X		•
	78625RK	Kit riparazione pompa Φ15,88	Master cylinder repair kit 5/8"				
	78812	Master cylinder 13/16"	Master cylinder 13/16"		X		•
	78812RK	Kit riparazione pompa Φ 20,64	Master cylinder repair kit 13/16"				
	78813	Master cylinder 3/4"	Master cylinder 3/4"		X		•
	78812RK	Kit riparazione pompa Φ 19,05	Master cylinder repair kit 3/4"				
11	AW06	Giunto sferico	Rod end bearing			X	
12	KNML6x10	Keensert-M6	Keensert-M6			X	
13	AN4-12A	vite NAS	NAS bolt			X	
14	AN4-14A	vite NAS	NAS bolt			X	
15	AN5-14A	vite NAS	NAS bolt			X	
16	UNI5933-M5X12	vite TS	SHCSH screw			X	
17	UNI7380-M6X30	vite TB	SHBS screw			X	
18	AST-1/4	K-nut	K-nut			X	
19	AST-5/16	K-nut	K-nut			X	
20	AN960-1/4	Rondella piana	Plain washer			X	
21	UNI8840B-6	Rondella ondulata	Crinkle washer			X	

- #2 2405015 It is allowed to add braces and/or extension to the pedal pad.
 #4 2405032 It is allowed to repair threads using #12 KNML6x10
 #10 78625 Alternative to pn.78812 or 78813
 78812 Alternative to pn.78625 or 78813
 78813 Alternative to pn.78625 or 78812



05B - BRAKE PEDAL

Item	Part Number	Descrizione	Description	1	2	3	Notes	
1	090915006	Piastra pedale freno	Brake pedal pad		X		•	
2	2405006	Distanziale pedale freno	Brake pedal bush	X				
3	2405007	Fulcro ripartitore	Trunnion	X				
4	2405008	Perno ripartitore	Trunnion bar	X				
5	2405034	Pedale freno	Brake pedal	X				
6	2405035	Supporto pedale freno	Brake pedal mount base		X		•	
7	2405036	Boccola	Bush	X				
8	78812	Master cylinder 13/16"	Master cylinder 13/16"		X		•	
	78812RK	Kit riparazione pompa Φ20,64	Master cylinder repair kit 13/16"					
	78750	Master cylinder 3/4"	Master cylinder 3/4"		X		•	
	78750RK	Kit riparazione pompa Φ19,05	Master cylinder repair kit 3/4"					
	78625	Master cylinder 5/8"	Master cylinder 5/8"		X		•	
	78625RK	Kit riparazione pompa Φ15,88	Master cylinder repair kit 5/8"					
	78875	Master cylinder 7/8"	Master cylinder 7/8"		X		•	
	78875RK	Kit riparazione pompa Φ22,23	Master cylinder repair kit 7/8"					
9	781000	Master cylinder 1"	Master cylinder 1"		X		•	
	781000RK	Kit riparazione pompa Φ25,4	Master cylinder repair kit 1"					
	78750	Master cylinder 3/4"	Master cylinder 3/4"		X		•	
	78750RK	Kit riparazione pompa Φ19,05	Master cylinder repair kit 3/4"					
	78812	Master cylinder 13/16"	Master cylinder 13/16"		X		•	
	78812RK	Kit riparazione pompa Φ20,64	Master cylinder repair kit 13/16"					
	78625	Master cylinder 5/8"	Master cylinder 5/8"		X		•	
	78625RK	Kit riparazione pompa Φ15,88	Master cylinder repair kit 5/8"					
10	78875	Master cylinder 7/8"	Master cylinder 7/8"		X		•	
	78875RK	Kit riparazione pompa Φ22,23	Master cylinder repair kit 7/8"					
	781000	Master cylinder 1"	Master cylinder 1"		X		•	
	781000RK	Kit riparazione pompa Φ25,4	Master cylinder repair kit 1"					
	10	AW06	Giunto sferico	Rod end bearing			X	
	11	GSM16180551	Boccola autolubrificante	Plain bearing			X	
	12	PAP1220P10	Boccola autolubrificante	Plain bearing			X	
	13	KNML6X10	Keensert-M6	Keensert-M6			X	
14	DIN7993RW14	Anello elastico	Circlip	X				
15	DIN472J18	Anello elastico	Retaining ring	X				
16	AN5-15A	vite NAS	NAS bolt			X		
17	AN6-34A	vite NAS	NAS bolt			X		
18	UNI5933-M5X12	vite TS	SHCSH screw			X		
19	UNI7380-M6X30	vite TB	SHBS screw			X		
20	AST-06	K-nut	K-nut			X		
21	AST-5/16	K-nut	K-nut			X		
22	AST-3/8	K-nut	K-nut			X		
23	ANSIB182265-3/8X24	Dado esagonale	Hexagon nut			X		
24	AN960-5/16	Rondella piana	Plain washer			X		
25	UNI8840B-6	Rondella ondulata	Crinkle washer			X		

#1 090915006
 #6 2405035
 #8 78812
 #9 78750

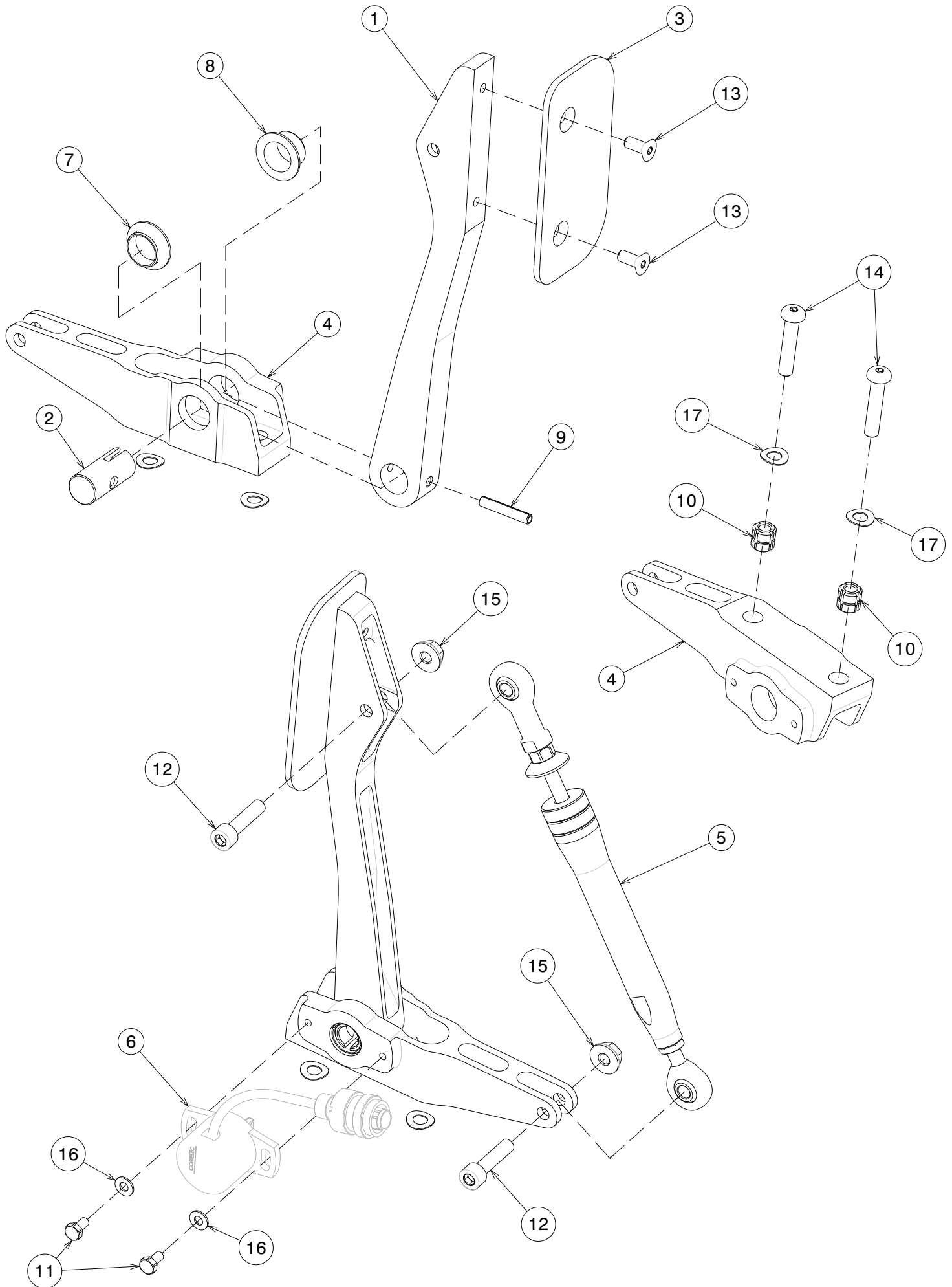
It is allowed to add braces and/or extension to the pedal pad.

It is allowed to repair threads using #13 KNML6X10

Refer to Technical Manual for a table of allowed master cylinders combination of #8 and #9

Refer to Technical Manual for a table of allowed master cylinders combination of #9 and #8

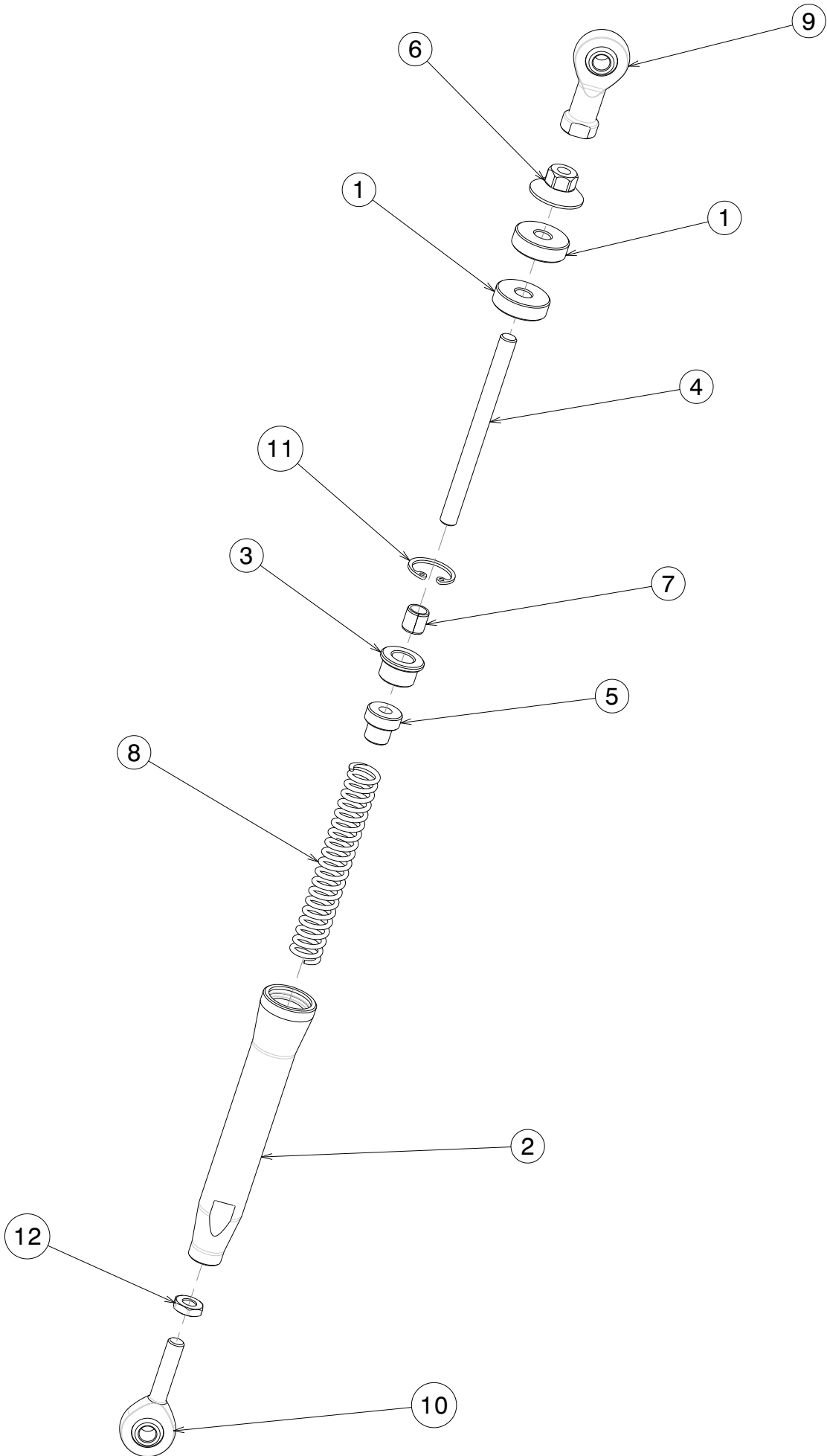
TATUUS 05C - THROTTLE PEDAL



05C - THROTTLE PEDAL

Item	Part Number	Descrizione	Description	1	2	3	Notes
1	2405003	Pedale acceleratore	Throttle pedal	X			
2	2405011	Perno pedale acceleratore	Throttle pedal bush	X			
3	2405015	Piastra pedale	Pedal plate		X		•
4	2405023	Supporto pedale acceleratore	Throttle pedal mount base		X		•
5	2405029	Assieme molla acceleratore	Spring throttle assy				
6	090915013	Potenziometro rotativo	Rotary potentiometer	X			
7	GFM141606	Boccola autolubrificante	Plain bearing	X			
8	GFM141610	Boccola autolubrificante	Plain bearing	X			
9	ISO8752-4X25	Spina elastica	Spring pin			X	
10	KNML6x10	Keensert-M6	Keensert-M6			X	
11	UNI5737-M4X8	vite TC	SHCS screw			X	
12	UNI5931-M6X25	vite TC	SHCS screw			X	
13	UNI5933-M5X12	vite TS	SHCSH screw			X	
14	UNI7380-M6X30	vite TB	SHBS screw			X	
15	DIN6927-M6	Dado flangiato autofrenante	K-lock			X	
16	UNI6592-4	Rondella piana	Plain washer			X	
17	UNI8840B-6	Rondella ondulata	Crinkle washer			X	

#3 2405015 It is allowed to add braces and/or extension to the pedal pad.
 #4 2405023 It is allowed to repair threads using #10 KNML6x10

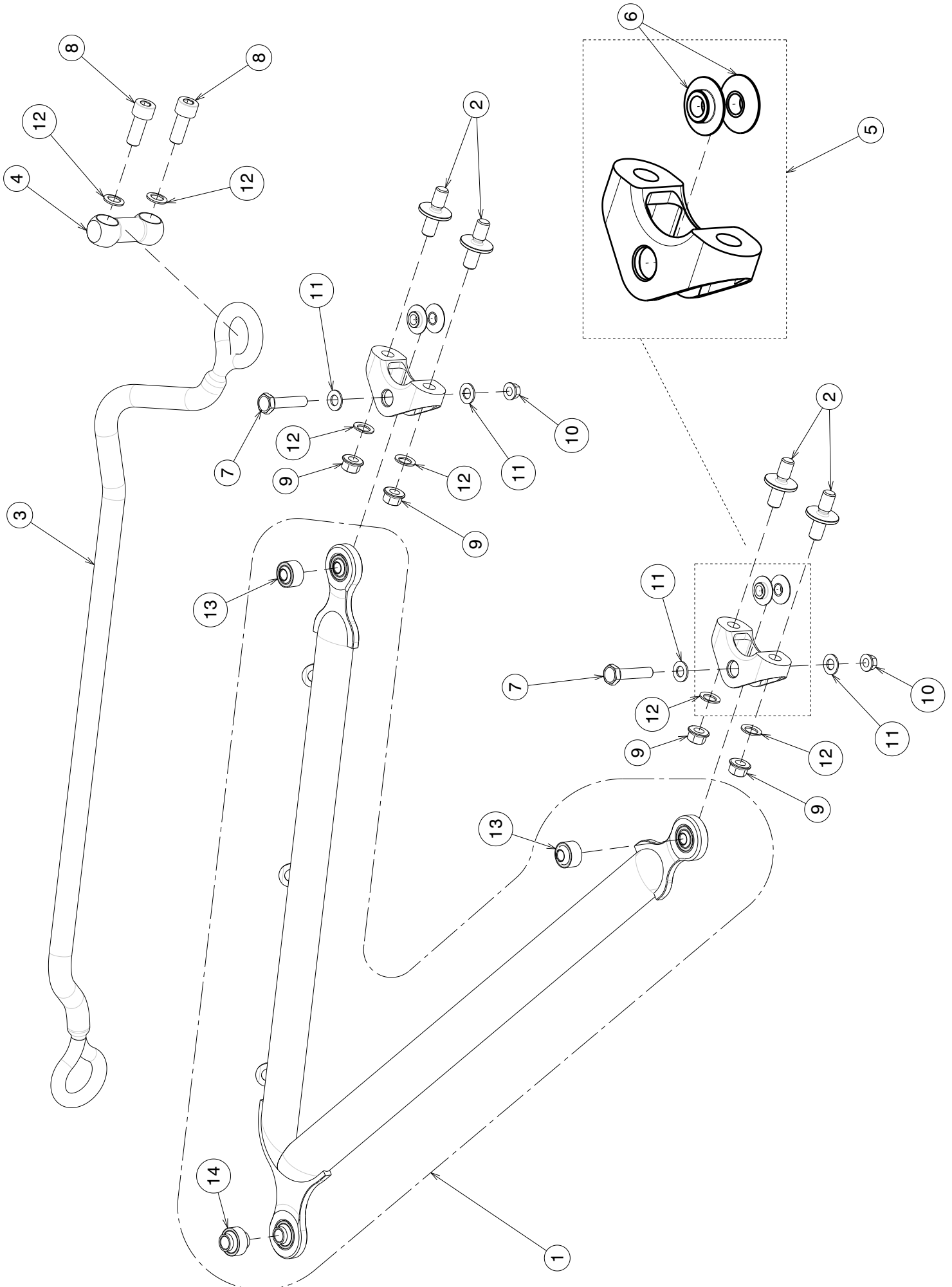


05D - THROTTLE SPRING

Item	Part Number	Descrizione	Description	1	2	3	Notes
1	080724062	Distanziale	Spacer		X		•
2	2405029002	Portamolla	Spring case	X			
3	2405029003	Tappo molla acceleratore	Tap Throttle spring	X			
4	2405029004	Stelo portamolla	Spring case rod	X			
5	2405029005	Pistone Acceleratore	Throttle piston	X			
6	2405029012	Controdado finecorsa	Locknut stopper	X			
7	PAP0608P10	Boccola autolubrificante	Plain bearing	X			
8	C04800673000S	Molla Lineare	Linear Spring	X			
9	CF6-M6	Testa a snodo	Rod end			X	
10	CM6-M6	Testa a snodo	Rod end			X	
11	DIN472J16	Anello elastico	Retaining ring			X	
12	UNI5589-M6	Dado esagonale basso	Thin hexagon nut			X	

#1 080724062 Number and stack of shims is free, thickness may be adjusted.

10A - FRONT WISHBONE



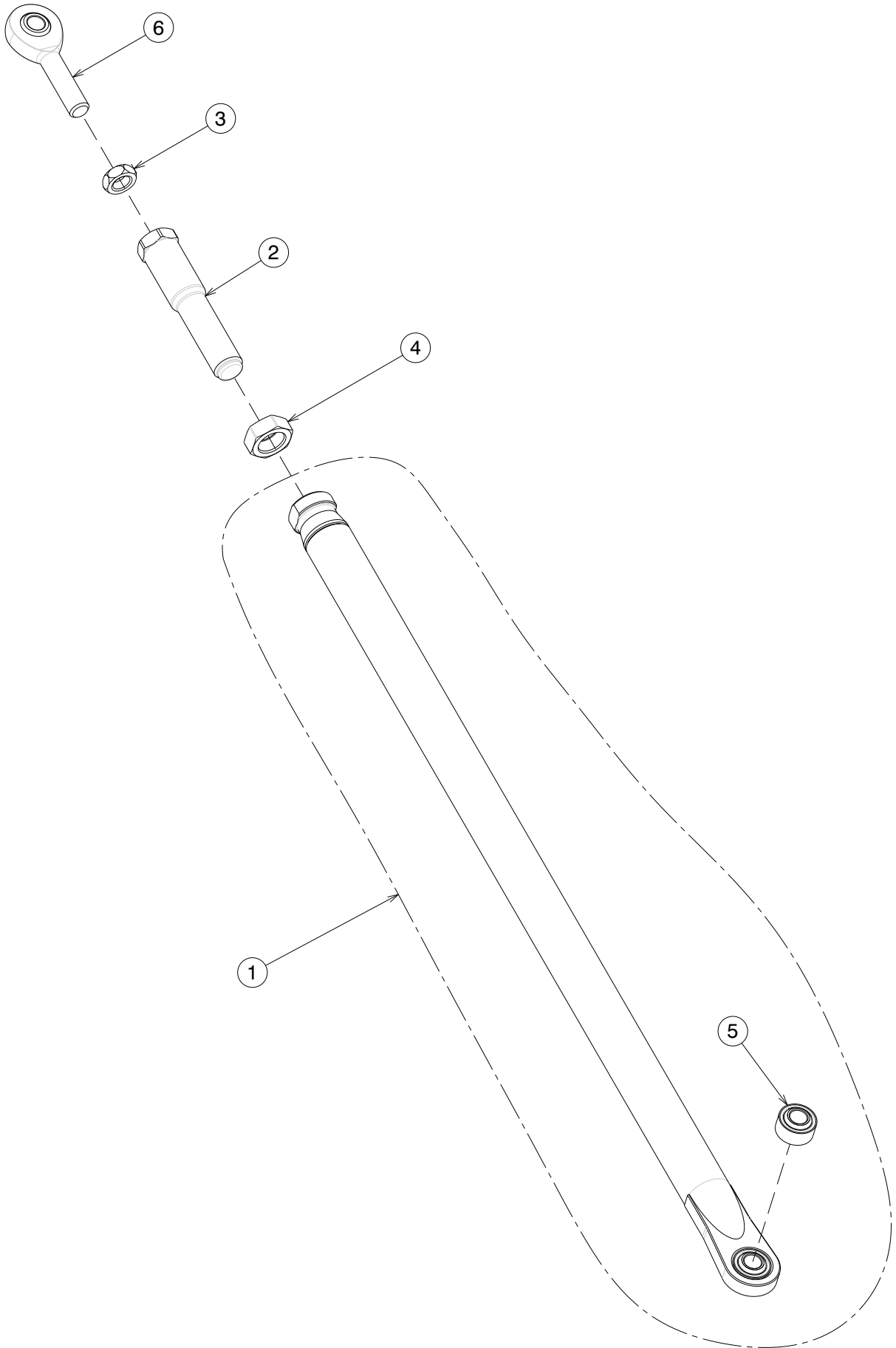
10A - FRONT UPPER WISHBONE

Item	Part Number	Descrizione	Description	1	2	3	Notes
1	3310003	Braccio anteriore superiore completo	Front top wishbone assy		X		•
2	3310020	Prigioniero M8	M8 stud	X			
3	161705010	Cavo di ritenzione	Wheel Tether	X			
4	2410025	Fissaggio cavo ritenzione	Tether Fitting	X			
5	2414033	Blocchetto per ABWT4 Completo	ABWT4 Bracket Assy	X			
6	030205005	Boccola ABWT4	Bush				
7	AN4-12A	vite NAS	NAS bolt			X	
8	UNI5931-M8x20	vite TC	SHCS screw	X			
9	AST-08	K-nut	K-nut			X	
10	AST-1/4	K-nut	K-nut			X	
11	AN960-1/4	Rondella piana	Plain washer			X	
12	RZS8	Rondella zigrinata	Safety washer			X	
13	UNIBALL-ABWT4V	Snodo sferico	Spherical bearing				
14	ABYT05V	Snodo sferico	Spherical bearing				

#1 3310003

Spherical bearings can be replaced with items #13 and #14

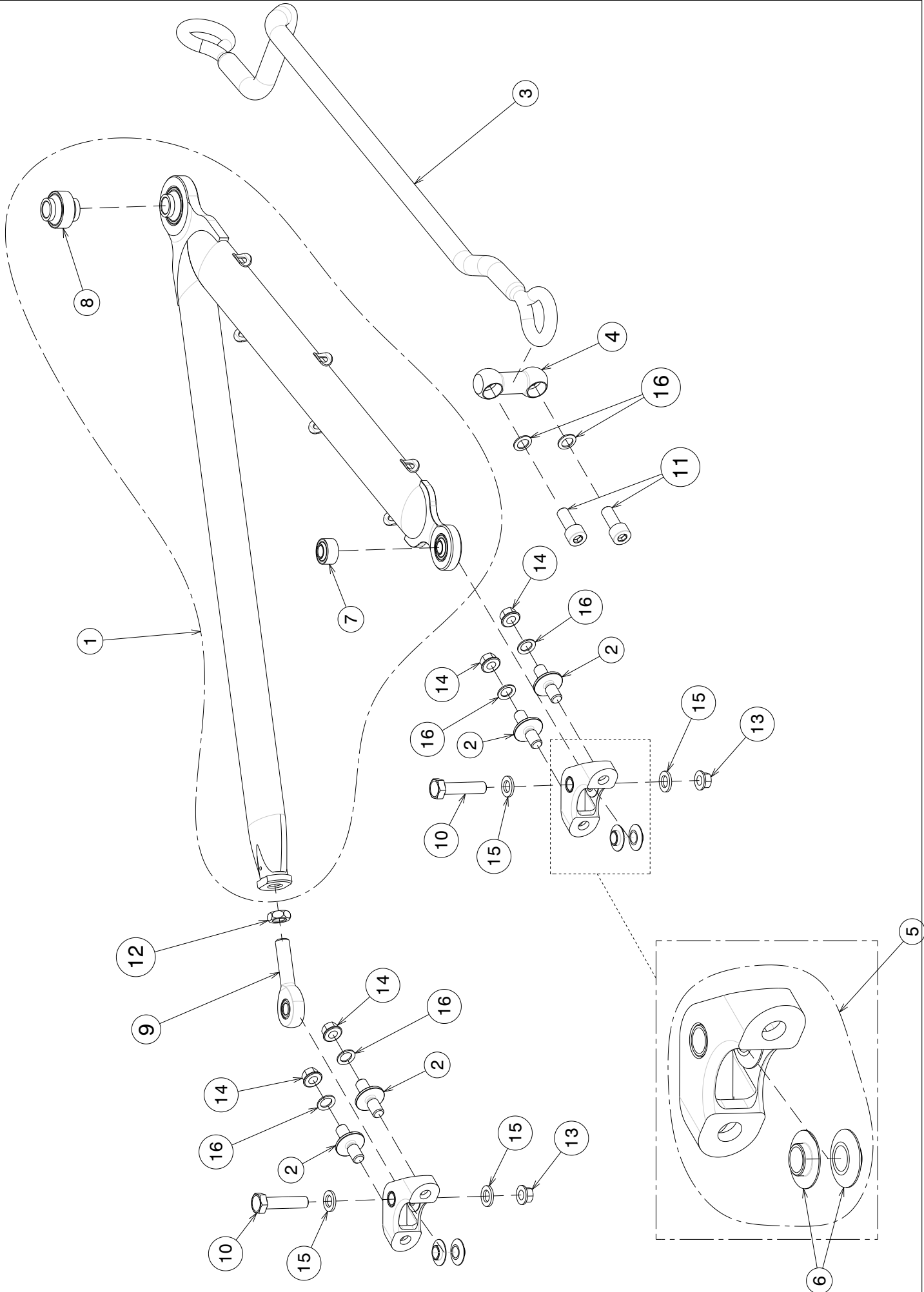
10B - FRONT PUSHROD



10B - FRONT PUSH-ROD

Item	Part Number	Descrizione	Description	1	2	3	Notes
1	3310011	Puntone anteriore	Front push rod		X		•
2	3314031	Registro puntone	Push rod adjuster	X			
3	ANSIB182265-3/8X24	Dado esagonale Sinistro	Hexagon nut			X	
4	010004014	Dado speciale M14x1.25	Special nut M14x1.25	X			
5	UNIBALL-ABWT5V	Snodo sferico	Spherical bearing				
6	RE-3/8L	Testa a snodo	Rod end			X	

#1 3310011 Spherical bearing can be replaced with item #5.



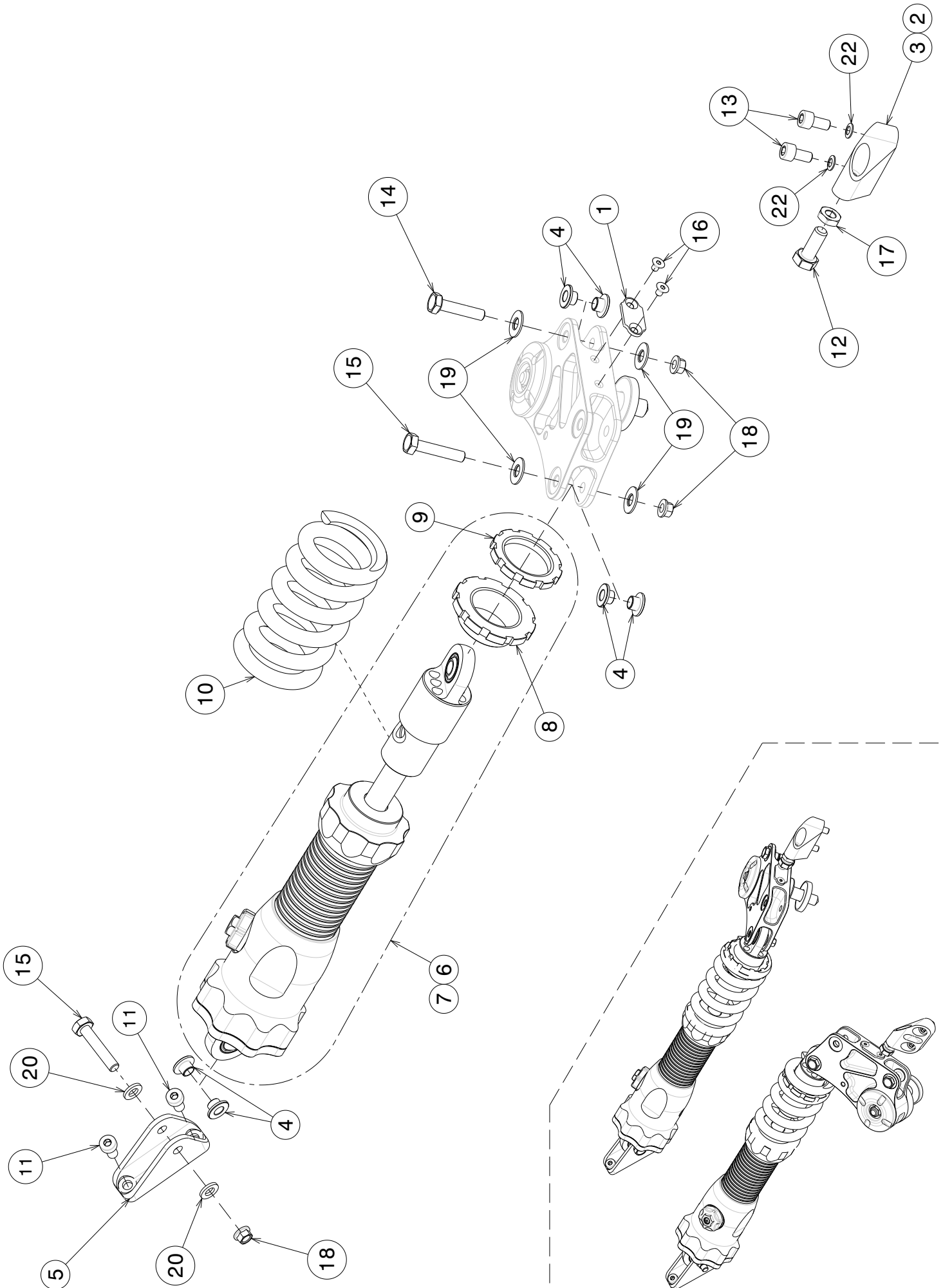
10C - FRONT LOWER WISHBONE

Item	Part Number	Descrizione	Description	1	2	3	Notes
1	3310007	Braccio anteriore inferiore completo	Front bottom wishbone assy		X		•
2	3310020	Prigioniero M8	M8 stud	X			
3	161705010	Cavo di ritenzione	Upper Wheel Tether	X			
4	2410025	Fissaggio cavo ritenzione	Tether Fitting	X			
5	2414035	Blocchetto per ABWT5 Completo	ABWT5 Bracket Assy	X			
6	030205004	Boccola ABWT5	Bush				
7	UNIBALL-ABWT5V	Snodo sferico	Spherical bearing				
8	ABYT07V	Snodo sferico	Spherical bearing				
9	XAM05T	Testa a snodo	Rod end			X	
10	AN5-12A	vite NAS	NAS bolt			X	
11	UNI5931-M8x20	vite TC	SHCS screw	X			
12	ANSIB182265-3/8X24	Dado esagonale	Hexagon nut			X	
13	AST-5/16	K-nut	K-nut			X	
14	AST-08	K-nut	K-nut			X	
15	AN960-5/16	Rondella piana	Plain washer			X	
16	RZS8	Rondella zigrinata	Safety washer			X	

#1 3310007

Spherical bearings can be replaced with items #7 and #8

11A - FRONT ROCKERS

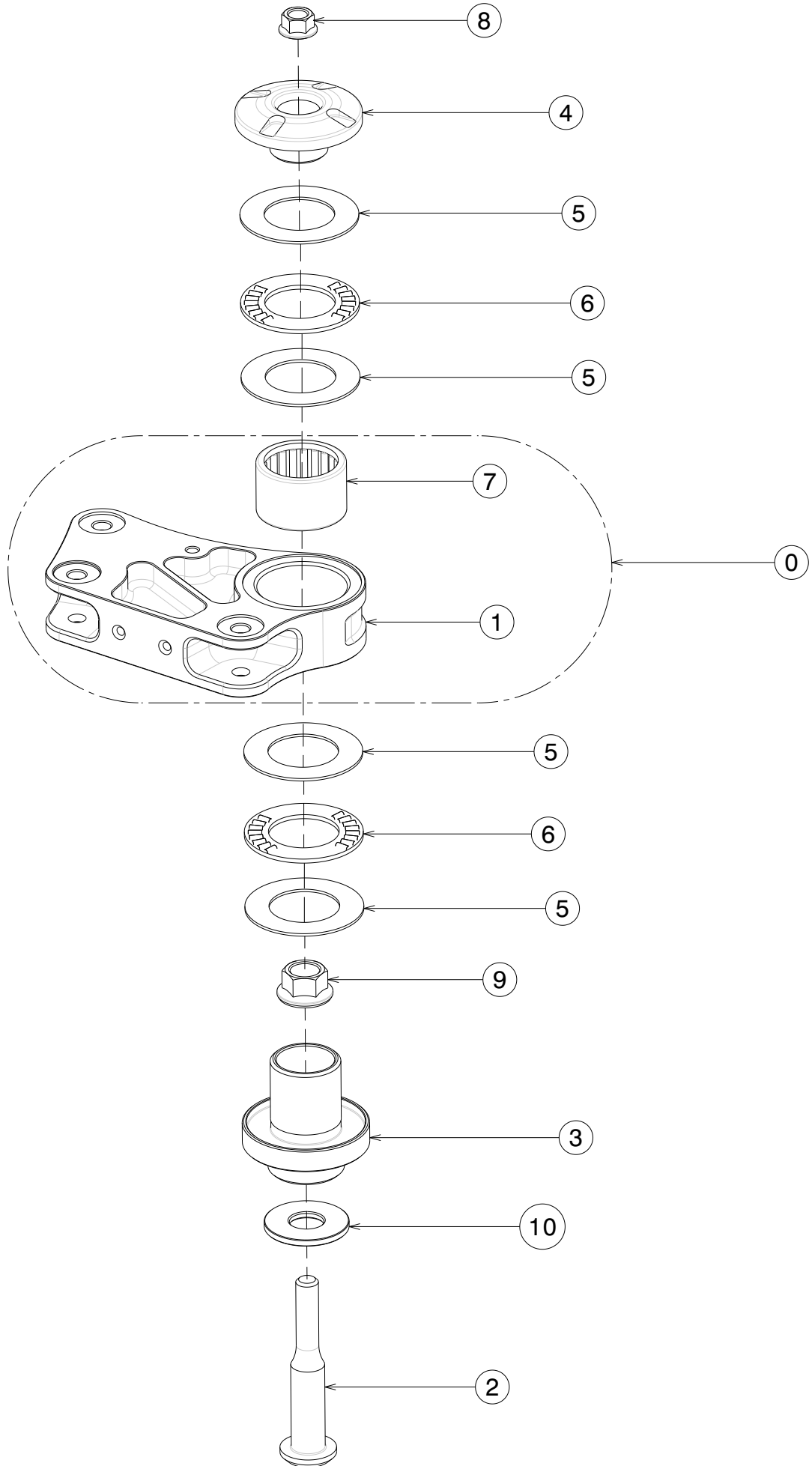


11A - FRONT ROCKERS

Item	Part Number	Descrizione	Description	1	2	3	Notes
1	151406012	Lamiera arresto rocker	Rebound stop flange	X			
2	091006014	Droop Stop Dx	Rh Droop Stop	X			
3	091006015	Droop Stop Sx	Lh Droop stop	X			
4	080608010	Boccola	Bush	X			
5	010008009	Staffa Ammortizzatore	Damper Mounting	X			
6	AGTATF4FL	Ammortizzatore anteriore sinistro	Front LH damper	X			
7	AGTATF4FR	Ammortizzatore anteriore destro	Front RH damper	X			
8	AGFLSR	Ghiera	Spring retainer	X			
9	AGFLSN	Controghiera	Spring nut	X			
10	ERSHF3C0700	Molla Lineare	Linear Spring		X		•
	ERSHF3C0900	Molla Lineare	Linear Spring		X		•
	ERSHF3C1000	Molla Lineare	Linear Spring		X		•
	ERSHF3C1100	Molla Lineare	Linear Spring		X		•
11	UNI9327-M6X12	Vite TC bassa	SHCS screw			X	
12	UNI5739-M8X20	vite TE	HHCS screw			X	
13	UNI5931-M6X12	vite TC	SHCS screw			X	
14	AN4-11A	vite NAS	NAS bolt			X	
15	AN4-12A	vite NAS	NAS bolt			X	
16	UNI5933-M4X6	vite TS	SHCSH screw			X	
17	UNI5589-M8	Dado Esagonale Basso	Thin Hex Nut			X	
18	AST-1/4	K-nut	K-nut			X	
19	RS065160010	Rondella speciale 6,5x16x1	Special washer 6,5x16x1			X	
20	UNI6592-6	Rondella piana	Plain washer			X	
21	UNI8840B-5	Rondella ondulata	Crinckle washer			X	
22	RZS5	Rondella zigrinata	Safety washer			X	

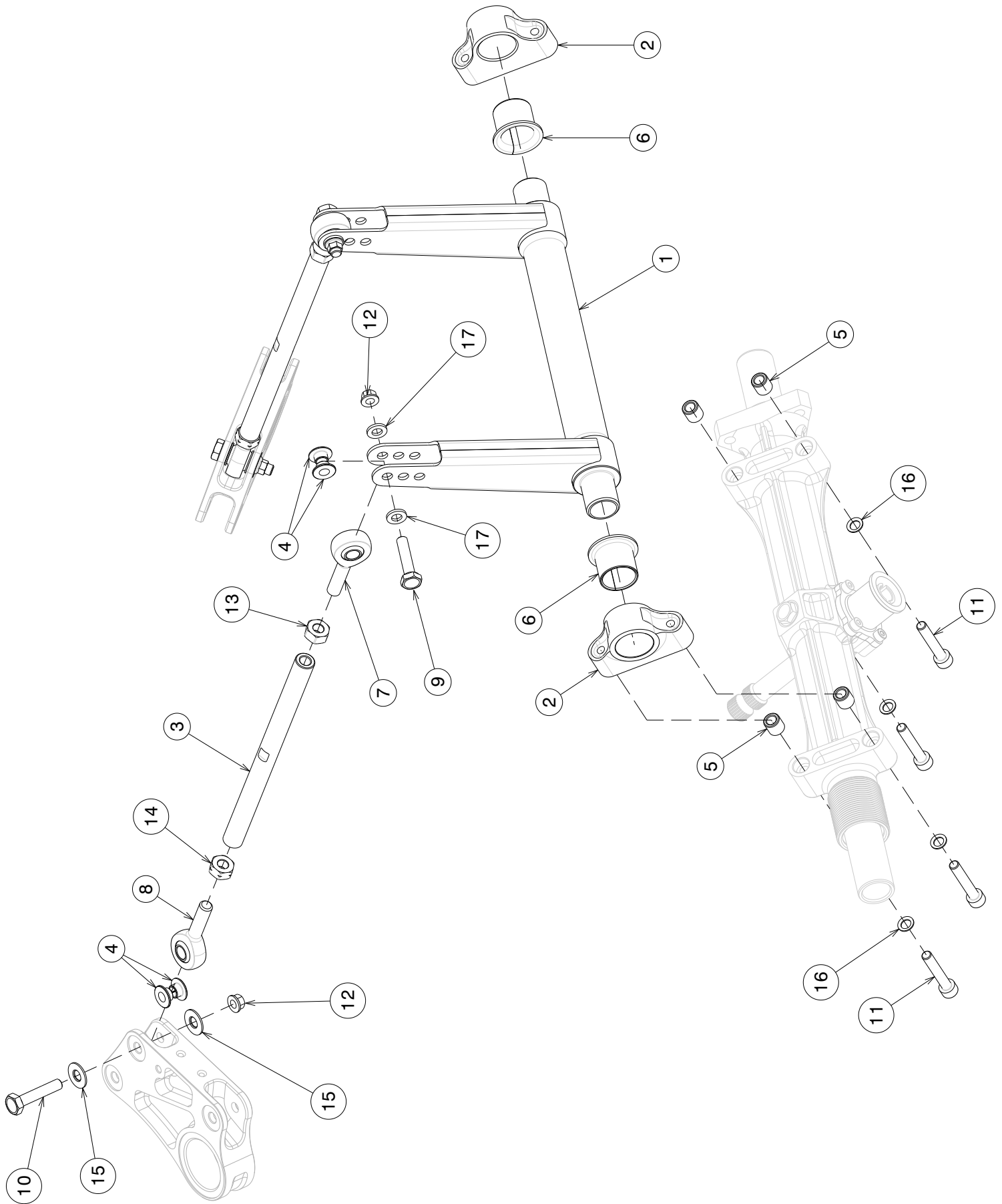
#10 ERSHF3C0700 Alternative items
 ERSHF3C0900 Alternative items
 ERSHF3C1000 Alternative items
 ERSHF3C1100 Alternative items

11B - ROCKER



11B - ROCKER

Item	Part Number	Descrizione	Description	1	2	3	Notes
0	3311017	Rocker Anteriore con Cuscinetto	Front rocker Assy				
1	3311001	Rocker anteriore	Front rocker	X			
2	181606005	Perno prigioniero rocker ant.	Front rocker stud	X			
3	151406003	Perno rocker	Rocker crank pin	X			
4	151406004	Registro rocker ant.	Front rocker adjuste	X			
5	AS2542	Controralla	Thrust bearing washer	X			
6	AXK2542	Cuscinetto reggispinta	Thrust bearing	X			
7	HK2520	Cuscinetto a rullini	Drawn cup needle roller bearing	X			
8	AST-08	K-nut	K-nut			X	
9	AST-12x1.5	K-nut	K-nut			X	
10	RS122300025	Rondella speciale	Special washer	X			

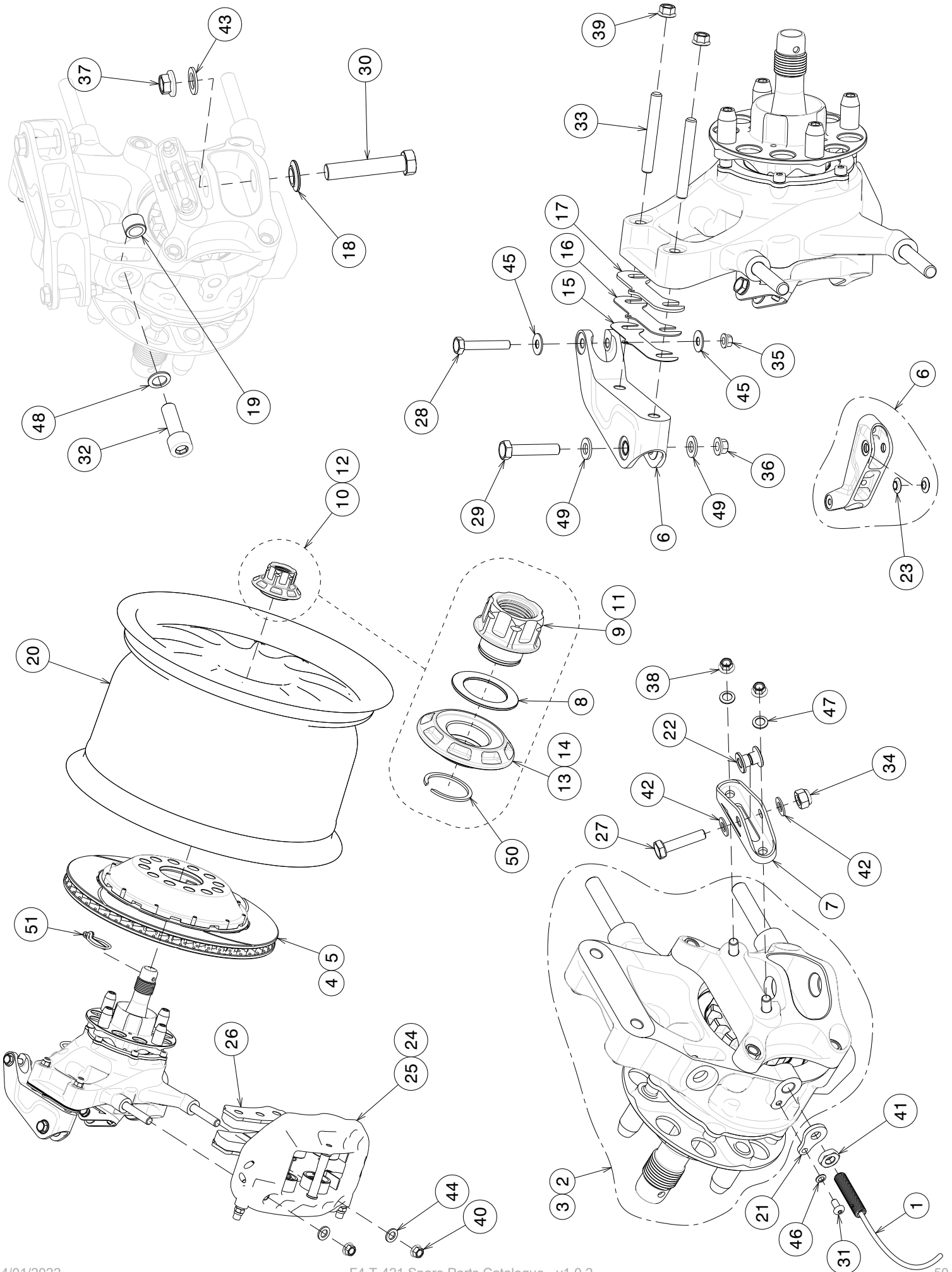


11C - FRONT ANTIROLL BAR

Item	Part Number	Descrizione	Description	1	2	3	Notes
1	3311003	FARB D25x16	FARB D25x16		X		•
	3311004	FARB D22x12	FARB D22x12		X		•
2	3311011	Supporto FARB	FARB Bracket	X			
3	161406009	Link ARB	Link ARB		X		•
4	010008010	Boccola	Bush		X		•
5	DIN179A060100100	Bussola di guida	Drill bush		X		
6	PAF20215P10	Boccola autolubrificante	Self-lubricating Bush			X	
7	RE-8M	Testa snodo M8	Rod end M8			X	•
8	RE-8ML	Testa snodo M8	Rod end M8			X	•
9	AN4-11A	vite NAS	NAS bolt			X	•
10	AN4-12A	vite NAS	NAS bolt			X	•
11	UNI5931-M6X35	vite TC	SHCS screw			X	
12	AST-1/4	K-nut	K-nut			X	•
13	UNI5588-M8	Dado esagonale	Hex Nut			X	•
14	UNI5588-M8L	Dado esagonale	Hex Nut			X	•
15	RS065160010	Rondella speciale 6.5x16x1	Special washer 6.5x16x1			X	•
16	RZS6	Rondella zigrinata	Safety washer			X	
17	UNI6592-6	Rondella piana	Plain washer			X	•

#1	3311003	#1 Alternative items.
	3311004	#1 Alternative items.
#3	161406009	Optional item, may be removed.
#4	010008010	Optional item, may be removed.
#7	RE-8M	Optional item, may be removed / disconnected.
#8	RE-8ML	Optional item, may be removed / disconnected.
#9	AN4-11A	Optional item, may be removed.
#10	AN4-12A	Optional item, may be removed.
#12	AST-1/4	Optional item, may be removed.
#13	UNI5588-M8	Optional item, may be removed.
#14	UNI5588-M8L	Optional item, may be removed.
#15	RS065160010	Optional item, may be removed.
#17	UNI6592-6	Optional item, may be removed.

12A - FRONT UPRIGHT

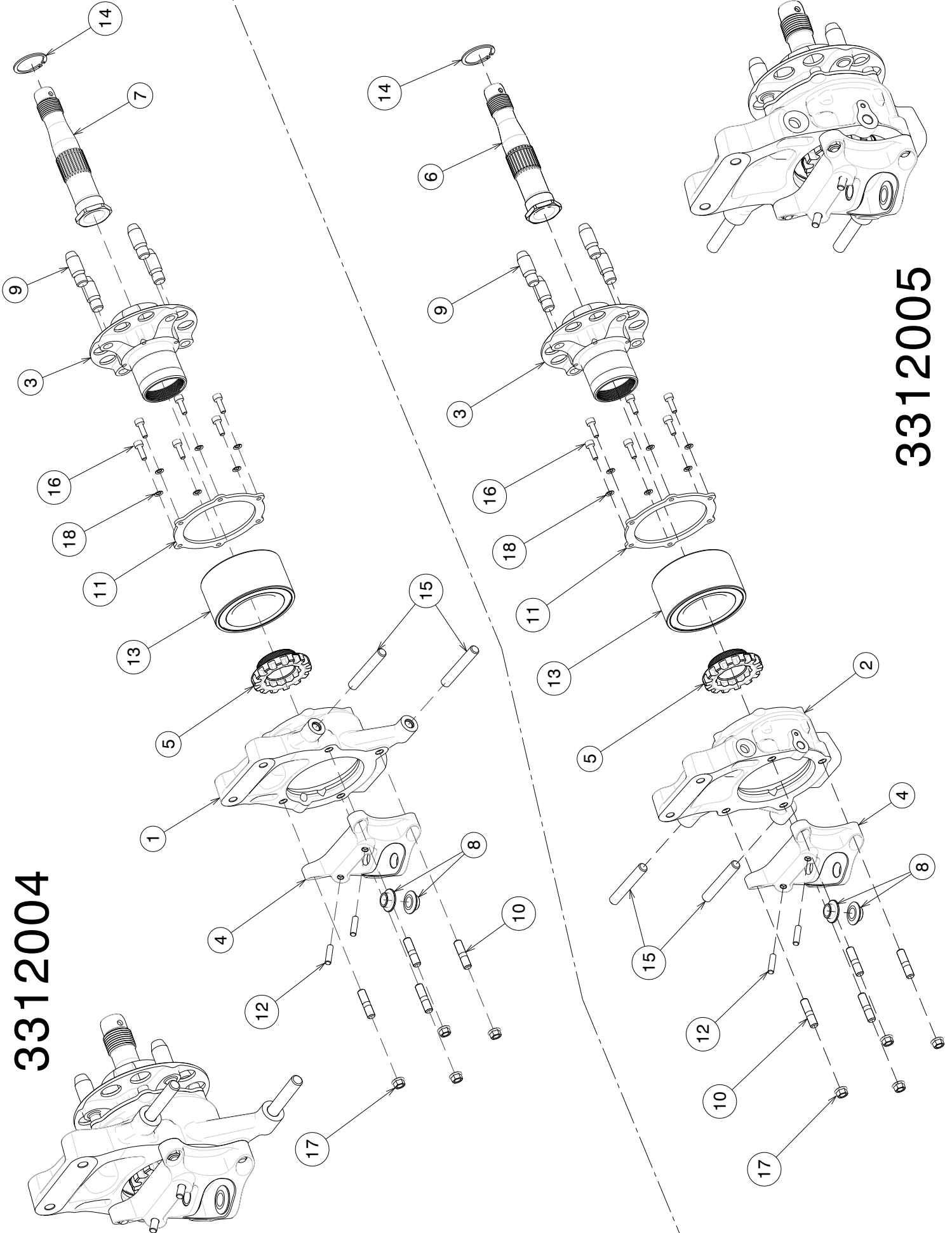


12A - FRONT UPRIGHT

Item	Part Number	Descrizione	Description	1	2	3	Notes
1	3326003	Sensore Velocità	Speed Sensor	X			
2	3312004	Assieme Portamozzo Anteriore DX (filetto SX)	Rh Front Upright Assy (Lh thread)				
3	3312005	Assieme Portamozzo Anteriore SX (filetto DX)	Lh Front Upright Assy (Rh thread)				
4	3312012	Assieme Disco Freno DX	Rh Brake Disc Assy				
5	3312013	Assieme Disco Freno SX	Lh Brake Disc Assy				
6	3312016	Assieme Ackerman	Ackerman Assy	X			
7	3312023	Attacco Puntone	Pushrod Bracket		X		•
8	3312027	Rasamento dado ruota	Wheel Nut shim	X			
9	3312029	Dado ruota (filetto DX)	Wheel Nut (RH thread)	X			
10	3312030	Assieme dado ruota (filetto DX)	Wheel Nut Assy (RH thread)				
11	3312032	Dado ruota (filetto SX)	Wheel Nut (LH thread)	X			
12	3312034	Assieme dado ruota (filetto SX)	Wheel Nut Assy (LH thread)				
13	3312035	Flangia centraggio dado ruota SX (rosso)	LH Wheel Nut centering flange (red)	X			
14	3312036	Flangia centraggio dado ruota DX (verde)	RH Wheel Nut centering flange (green)	X			
15	2412035	Spessore camber 0.5 mm	Camber shim 0.5 mm		X		•
16	2412036	Spessore camber 1 mm	Camber shim 1 mm		X		•
17	2412037	Spessore camber 2 mm	Camber shim 2 mm		X		•
18	2412050	Boccola riduzione	Adaptor bushing	X			
19	181507014	Boccola	Bush	X			
20	161407017	Cerchio 8"x13"	8"x13" Rim	X			
21	101007012	Supporto Sensore Velocità	Speed Sensor Bracket	X			
22	080608010	Boccola	Bush	X			
23	030205004	Boccola ABWT5	Bush				
24	FRNSKT6875	Pinza freno sinistra TM	Lh Brake Caliper				
25	FRNSKT6876	Pinza freno destra TM	Rh Brake Caliper				
26	FRPAP1316098	Pastiglie freno (8x)	Brake pads (8x)	X			•
27	AN4-11A	vite NAS	NAS bolt			X	
28	AN4-14A	vite NAS	NAS bolt			X	
29	AN5-14A	vite NAS	NAS bolt			X	
30	AN721A	vite NAS	NAS bolt			X	
31	UNI7380-M4X8	Vite TB	SHBS screw			X	
32	UNI5931-M10X1.25X30-cl10.9	vite TC	SHCS screw	X			
33	UNI5911-M8x50	Prigioniero	Stud	X			
34	AN365-1/4X28	Dado autobloccante	Self locking nut			X	
35	AST-1/4	K-nut	K-nut			X	
36	AST-5/16	K-nut	K-nut			X	
37	AST-7/16	K-nut	K-nut			X	
38	AST-06	K-nut	K-nut			X	
39	AST-08	K-nut	K-nut			X	
40	AST-10X1,5	K-nut	K-nut			X	
41	UNI5589-M8	Dado Esagonale Basso	Thin Hex Nut			X	
42	AN960-1/4	Rondella piana	Plain washer			X	
43	AN960716	Rondella piana	Plain washer			X	
44	DIN433-10	Rondella piana	Plain washer			X	
45	RS065160010	Rondella speciale 6.5x16x1	Special washer 6.5x16x1	X			
46	RZS4	Rondella zigrinata	Safety washer			X	
47	RZS6	Rondella zigrinata	Safety washer			X	
48	RZS10	Rondella zigrinata	Safety washer			X	
49	UNI6592-8	Rondella piana	Plain washer			X	
50	SW28	Anello d'arresto	SW Seeger Circlip			X	
51	2470000	Clip sicurezza	Linchpin	X			

- #7 3312023 May be installed in both orientations.
- #15 2412035 Number and stack of shims is free
- #16 2412036 Number and stack of shims is free
- #17 2412037 Number and stack of shims is free
- #26 FRPAP1316098 See sporting regulation and Homologation Documents for allowed alternatives.

3312004



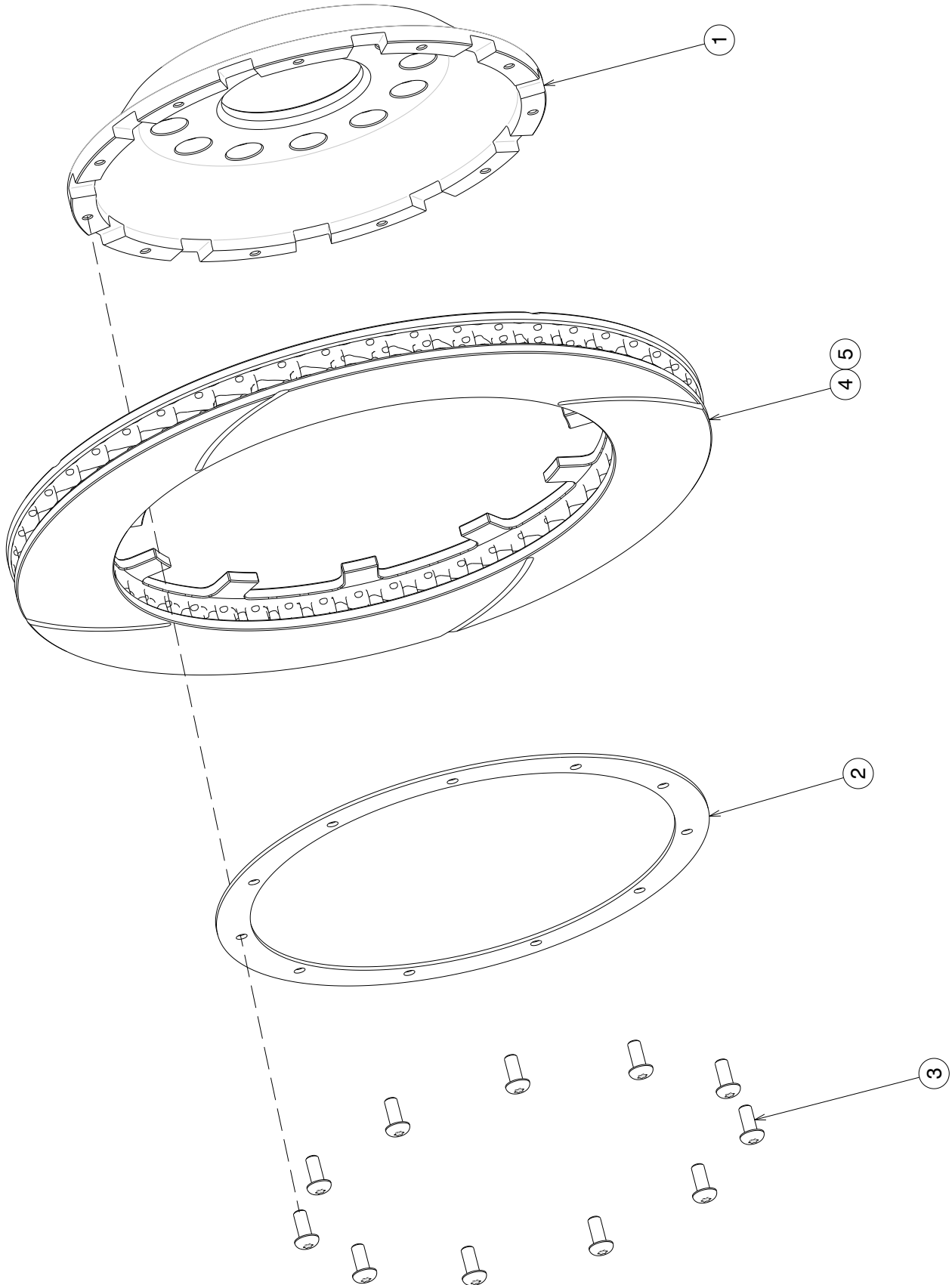
3312005

12B - FRONT UPRIGHT

Item	Part Number	Descrizione	Description	1	2	3	Notes
1	3312006	Portamozzo Ant DX/Post SX	Front Rh/Rear Lh Upright		X		•
2	3312007	Portamozzo Ant SX/Post DX	Front Lh/Rear Rh Upright		X		•
3	3312008	Mozzo	Wheel hub	X			
4	3312009	Blocco portamozzo anteriore	Front upright mount	X			
5	3312010	Flangia mozzo ruota	Wheel hub flange	X			
6	3312011	Perno ruota anteriore (filetto DX)	Front wheel axle (RH thread)	X			
7	3312033	Perno ruota anteriore (filetto SX)	Front wheel axle (LH thread)	X			
8	2412022	Boccola ø 7/16 - ø 15	Bush ø 7/16 - ø 15				
9	161407016	Pin trascinatore	Wheel Drive Pin	X			
10	030210012	Prigioniero M8X33	Stud M8X33	X			
11	010007003	Anello ritenzione	Ring	X			
12	010011020	Vite prigioniera	Stud	X			
13	BAH0144A	Cuscinetto ruota	Wheel bearing	X			
14	A30X1,5V	Seeger AV	AV Seeger	X			
15	UNI5911-M10x50	Prigioniero	Stud	X			
16	UNI5931-M5X16	vite TC	SHCS screw			X	
17	AST-08	K-nut	K-nut			X	
18	RZS5	Rondella zigrinata	Safety washer			X	

- #1 3312006 It is allowed to repair threads.
 #2 3312007 It is allowed to repair threads.

12C - BRAKE DISC



12C - BRAKE DISC

Item	Part Number	Descrizione	Description	1	2	3	Notes
1	3312014	Campana disco freno	Disc bell	X			
2	3312031	Anello	Ring	X			
3	05877407	Vite Brembo	Screw	X			
4	FRNDSC7685	Disco Freno DX	Rh Brake Disc		X		•
5	FRNDSC7686	Disco Freno SX	Lh Brake Disc		X		•

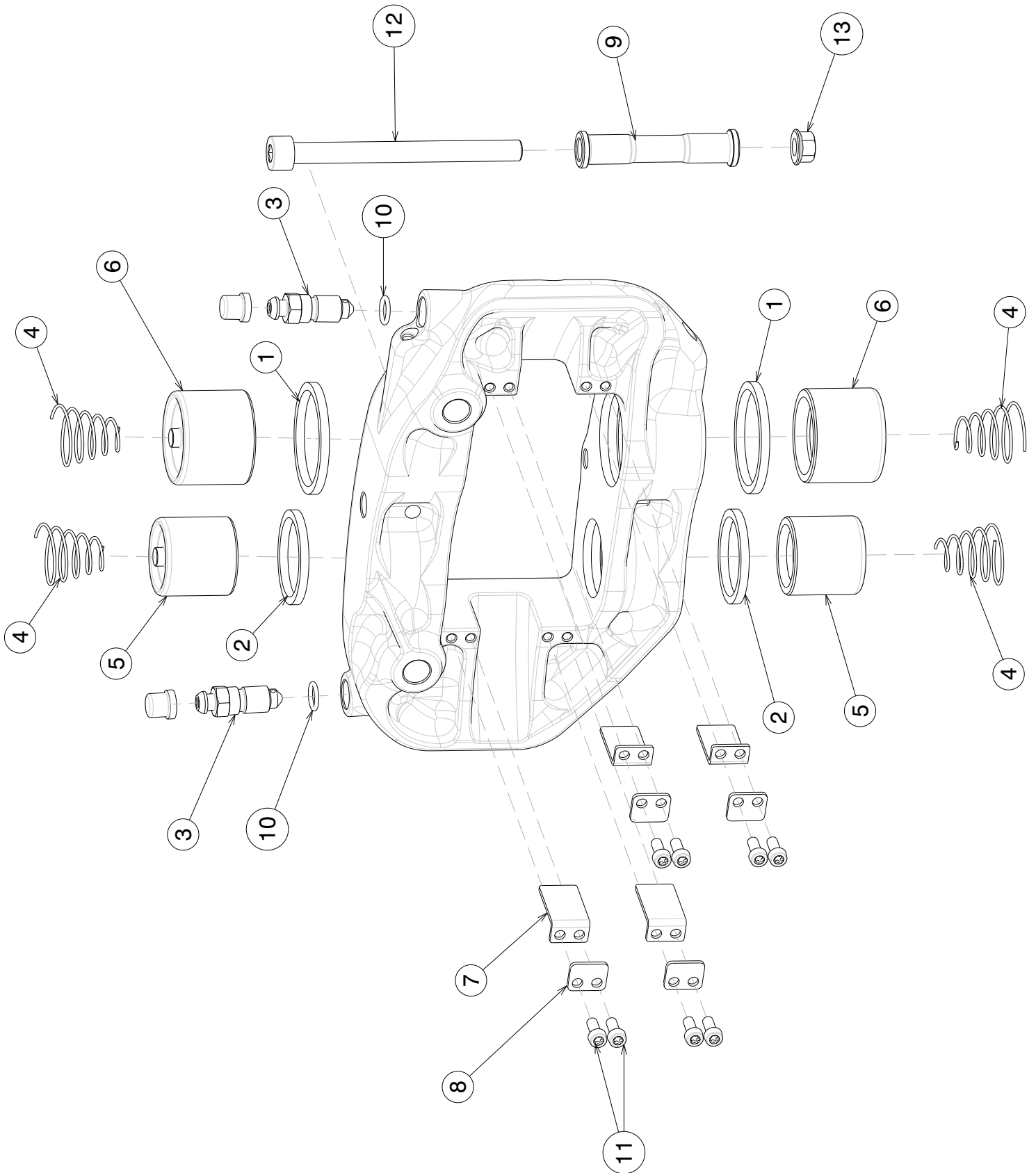
#4 FRNDSC7685

Minimum thickness: 17.8 mm

#5 FRNDSC7686

Minimum thickness: 17.8 mm

12D - CALIPER

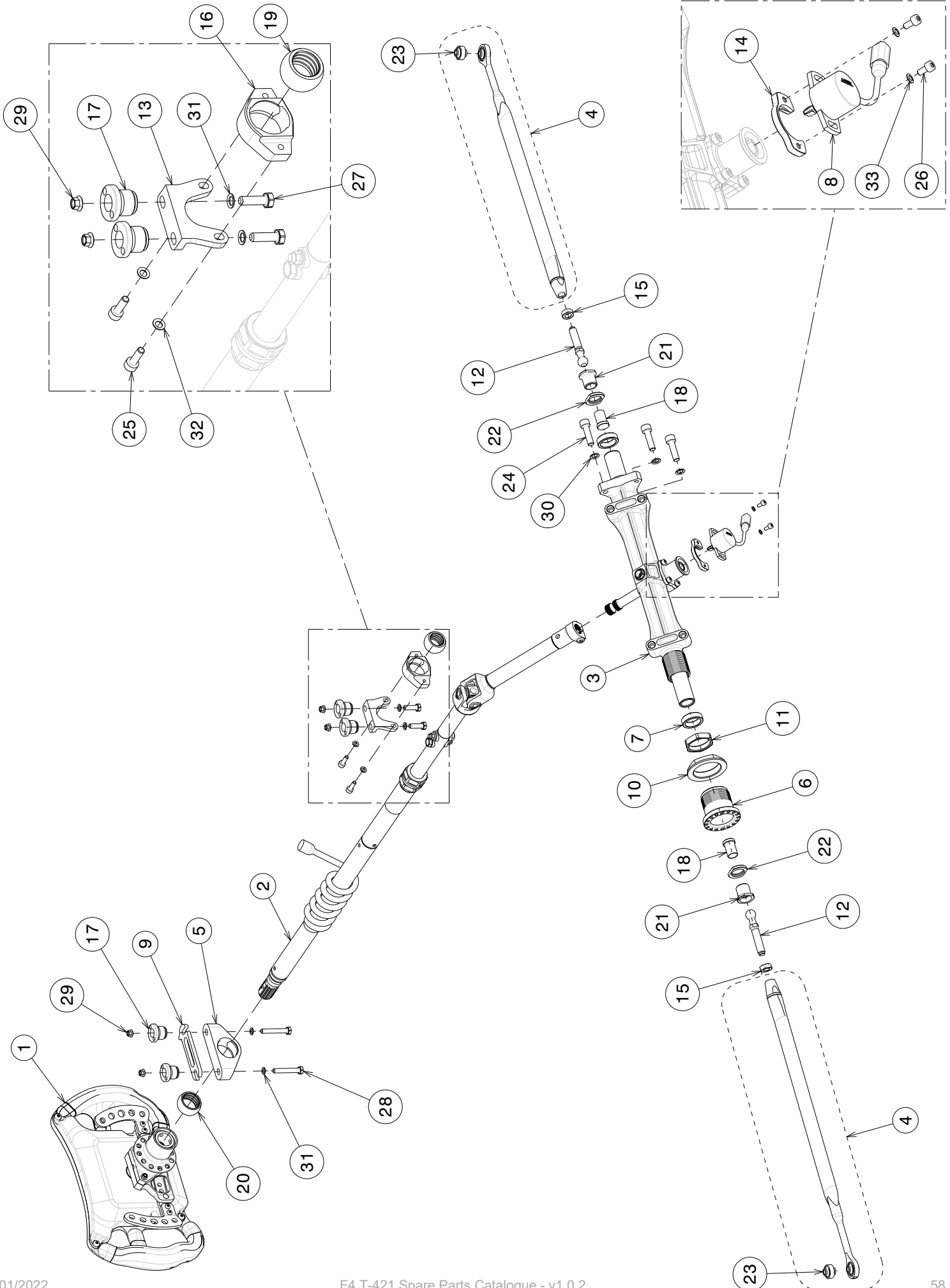


12D - CALIPER

Item	Part Number	Descrizione	Description	1	2	3	Notes
1	FRNALT2760	Anello tenuta idraulica Ø36	Sealing ring Ø36	X			
2	FRNALT3716	Anello tenuta idraulica Ø30	Sealing ring Ø30	X			
3	FRNALT4336	Vite di spurgo aria	Bleed Nipple	X			
4	FRNALT5216	Molla Conica	Spring		X		•
5	FRNALT6911	Pistone Ø30	Ø30 Piston	X			
6	FRNALT6912	Pistone Ø36	Ø36 Piston	X			
7	FRNALT6913	Piastrino scorrimento pastiglie	Pads sliding plate	X			
8	FRNALT6914	Lamiera battuta pastiglia	Pads retainer	X			
9	FRNALT7574	Ponticello irrigidimento	Bridge	X			
10	ALTGEN4337	O-Ring 6-192	O-Ring 6-192	X			
11	ALTMIN6925	Vite testa cilindrica M4x10	SHCS screw	X			
12	UNI5931-M8X90 cl 12.9	vite TC	SHCS screw			X	
13	AST-08	K-nut	K-nut			X	

#4 FRNALT5216 Optional item, can be removed

13A - STEERING ASSY



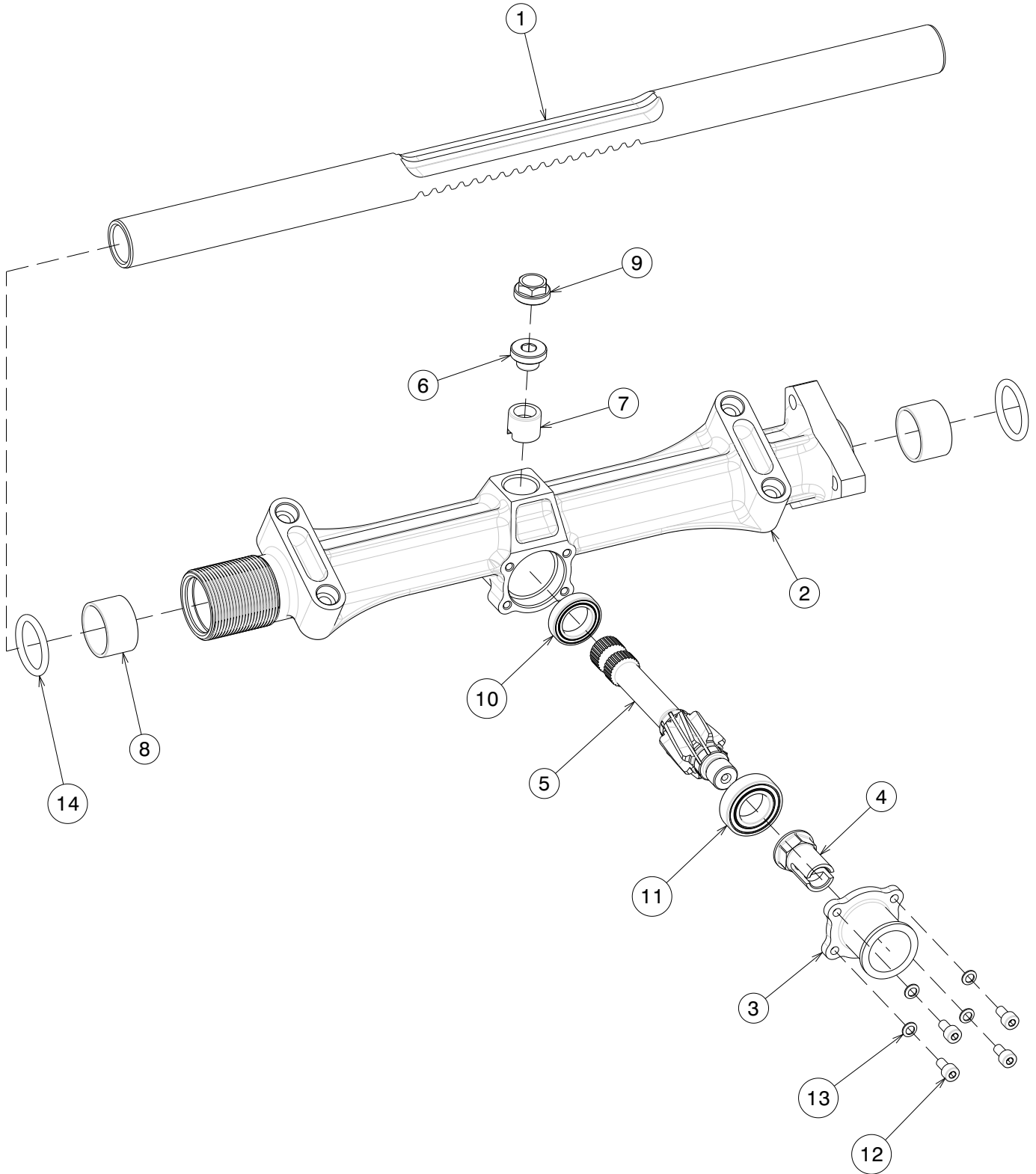
13A - STEERING ASSY

Item	Part Number	Descrizione	Description	1	2	3	Notes
1	TSW0300000	Volante Completo	Steering Wheel				
2	3313001	Piantone Completo	Steering Column Assy				
3	3313004	Scatola guida	Steering box				
4	3313005	Assieme Tirante Sterzo	Track Rod Assy	X			
5	3313009	Supporto piantone	Steering column bracket	X			
6	3313010	Boccola scatola guida	Bush	X			
7	3313012	Finccorsa cremagliera	Steering rack stopper	X			
8	3326002	Potenziometro Sterzo	Steering potentiometer	X			
9	2813006	Distanziale	Spacer		X		•
10	2413011	Ghiera scatola guida	Ring Nut	X			
11	2413012	Controghiera Scatola guida	Platform	X			
12	2413013	Giunto Sfera	Ball End Joint	X			
13	2413015	Supporto Secondario Piantone	Steer Column Mounting	X			
14	2413017	Flangia	Flange	X			
15	2413019	Dado speciale	Special Nut	X			
16	161409015	Supporto piantone	Steering column mounting	X			
17	101009016	Boccola	Bush	X			
18	080609004	Sede snodo sterzo	Ball joint seat	X			
19	080609019	Giunto sferico	Spherical bearing	X			
20	080709019	Giunto sferico	Spherical bearing	X			
21	010009011	Boccola terminale cremagliera	Rack-end bush	X			
22	010009013	Dado speciale	Special Nut	X			
23	ABYT 4V	Uniball	Uniball				
24	UNI5931-M8X30	vite TC	SHCS screw			X	
25	UNI5931-M5X16	vite TC	SHCS screw			X	
26	UNI5931-M4X8	vite TC	SHCS screw			X	
27	UNI5739-M6X20	UNI5739-M6X20	HHCS screw			X	
28	UNI5739-M6X40	UNI5739-M6X40	HHCS screw			X	
29	AST-06	K-nut	K-nut			X	
30	RZS8	Rondella zigrinata	Safety washer			X	
31	RZS6	Rondella zigrinata	Safety washer			X	
32	RZS5	Rondella zigrinata	Safety washer			X	
33	RZS4	Rondella zigrinata	Safety washer			X	

#9 2813006

Optional item, a maximum of three spacers can be stacked

13B - STEERING RACK

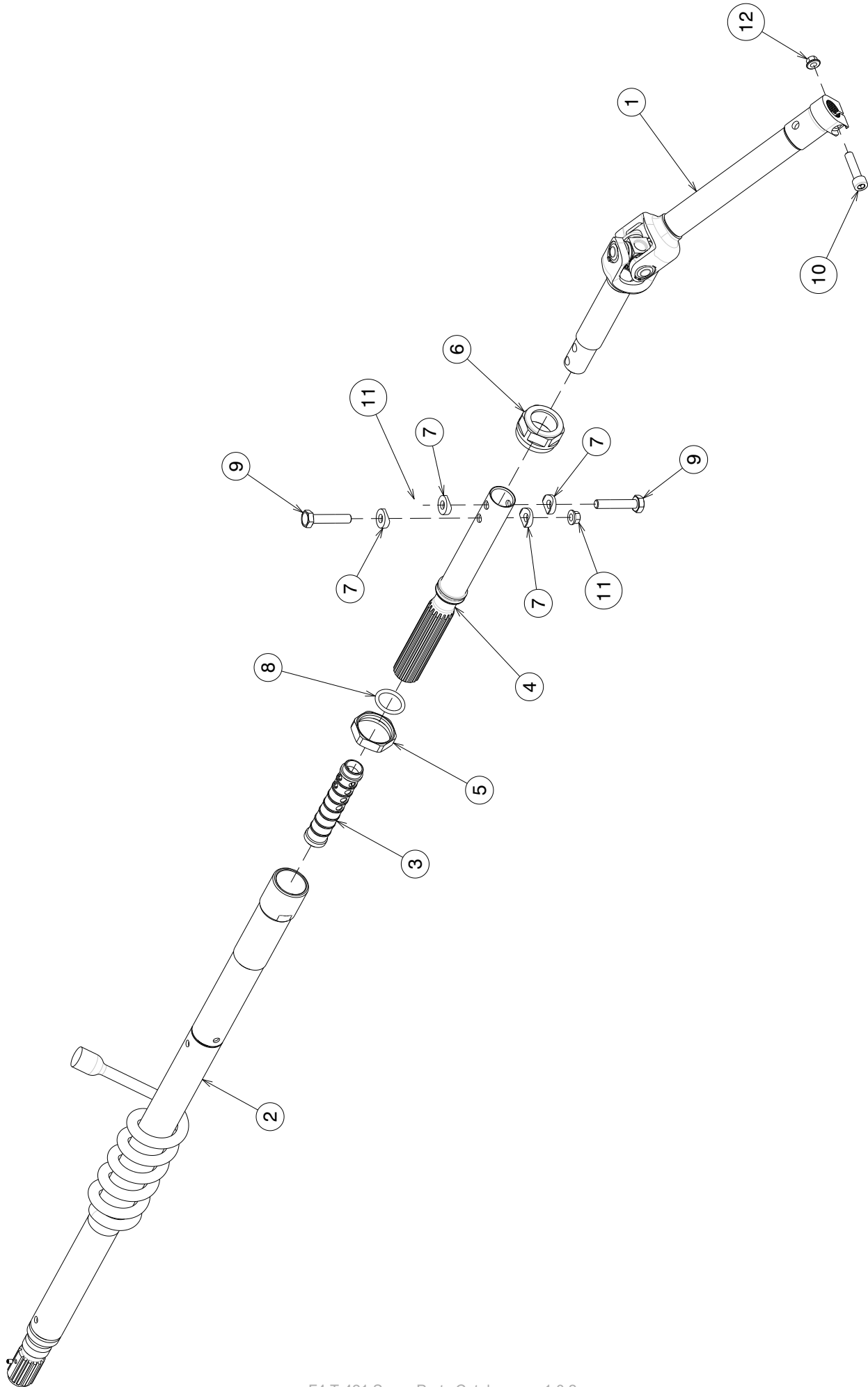


13B - STEERING RACK

Item	Part Number	Descrizione	Description	1	2	3	Notes
1	3313007	Cremagliera	Rack	X			
2	3313008	Corpo scatola guida	Steering box	X			
3	2413009	Supporto Potenzimetro scatola guida	Potentiometer Spacer	X			
4	2413016	Link potenziometro scatola guida	Potentiometer Link	X			
5	090909019	Pignone cremagliera	Rack pinion	X			
6	030309011004	Boccola	Bush	X			
7	030309011005	Pastiglia Registro	Adjusting Spacer		X		•
8	030309011006	Boccola iglodur	Iglodur bush	X			
9	030309011014	Ghiera	Ring nut	X			
10	61802-2rs1	Cuscinetto	Bearing			X	
11	61902-2rs1	Cuscinetto	Bearing			X	
12	UNI5931-M4X8	vite TC	SHCS screw			X	
13	RZS4	Rondella zigrinata	Safety washer			X	
14	ORN22X3	O-Ring	O-Ring			X	

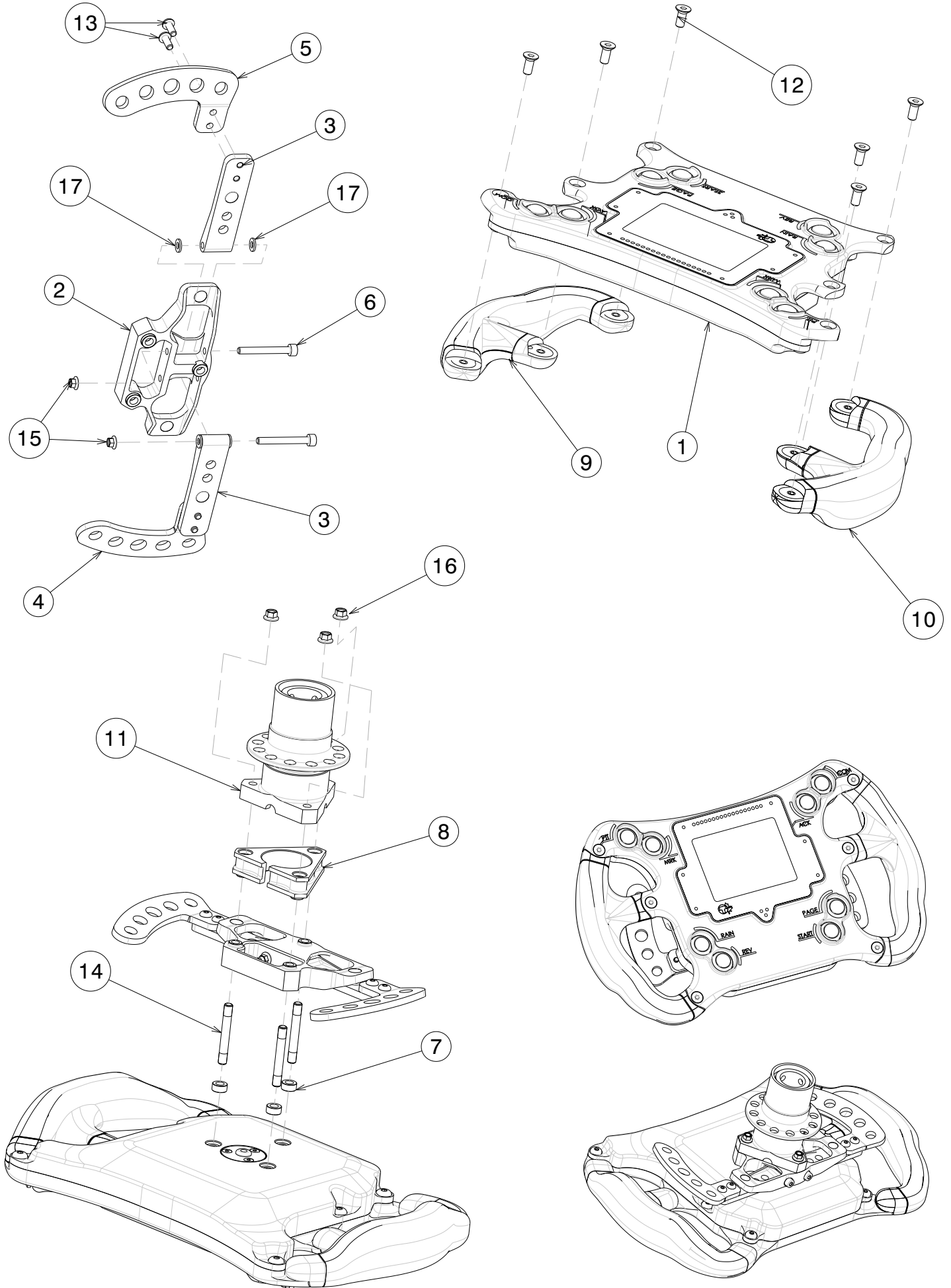
#7 030309011005 It is allowed to add a chamfer (up to 1x45°) to the straight edges at the top of the pocket.

13C - STEERING COLUMN



13C - STEERING COLUMN

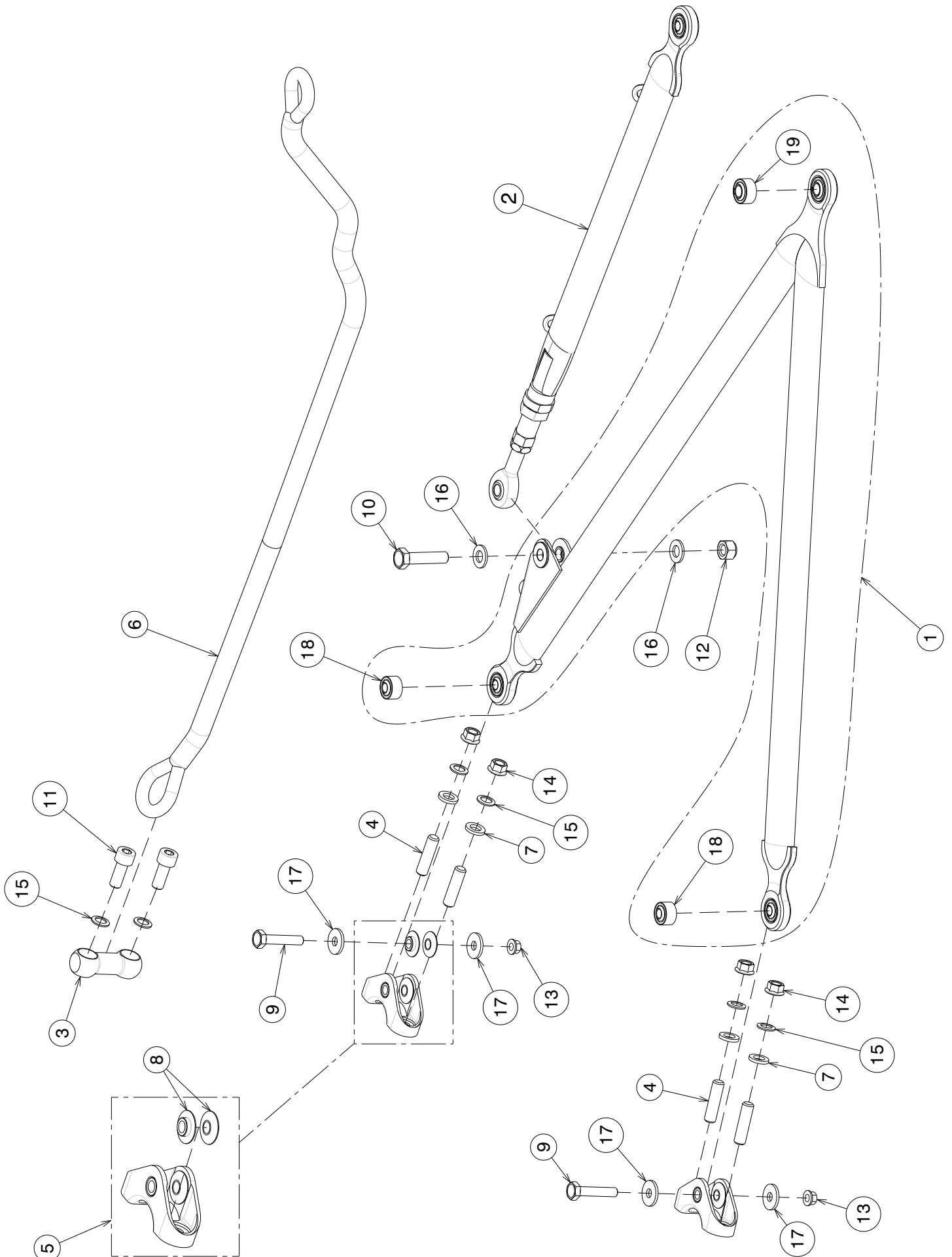
Item	Part Number	Descrizione	Description	1	2	3	Notes
1	3313003	Giunto piantone	Steering Column Bottom End	X			
2	3313018	Piantone Sterzo	Steering Column Top End	X			
3	2413021	Cartuccia Deformabile	Steering Crashbox	X			
4	080709012	Testa Millerighe	Splined Shaft	X			
5	080709022	Controghiera	Platform	X			
6	080709023	Ghiera	Ring Nut	X			
7	080709025	Rondella speciale	Special Washer	X			
8	ORN123	O-Ring	O-Ring			X	
9	AN4-12A	vite NAS	NAS bolt			X	
10	UNI5931-M6X25	vite TC	SHCS screw			X	
11	AST-1/4	K-nut	K-nut			X	
12	AST-06	K-nut	K-nut			X	



13D - STEERING WHEEL

Item	Part Number	Descrizione	Description	1	2	3	Notes
1	TSW0303000	Volante	Steering Wheel	X			
2	TSW0204002	Base palette short	Paddle base short	X			
3	TSW0203004	Leva	Pad Lever	X			
4	TSW0203005	Paletta Sinistra	LH Paddle		X		•
5	TSW0203006	Paletta Destra	RH Paddle		X		•
6	TSW0203007	Vite Speciale	Special screw	X			
7	161409018	Distanziale	Spacer	X			
8	080709010017	Distanziale volante	Steering wheel spacer		X		•
9	05059B010015	Impugnatura Volante DX	Rh Handgrip		X		•
10	05059B010016	Impugnatura Volante SX	Lh Handgrip		X		•
11	F9024600	Staccavolante	Steering wheel quick release	X			
12	UNI5933-TX-M5X12	Vite TS Torx	SHCSH Torx Screw			X	
13	UNI7380-M4X10	vite TB	SHBS screw			X	
14	08070901023B	Prigioniero M5x38	Stud M5x38		X		•
	08070901023C	Prigioniero M5x51	Stud M5x51		X		•
	08070901023D	Prigioniero M5x64	Stud M5x64		X		•
15	AST-04	K-nut	K-nut			X	
16	AST-05	K-nut	K-nut			X	
17	RN043080010	Rondella Nylon	Nylon washer	X			

- #4 TSW0203005 TSW0203005 or TSW0203006: alternative items. The longer tip of the paddle must points upward.
- #5 TSW0203006 TSW0203006 or TSW0203005: alternative items. The longer tip of the paddle must points upward.
- #8 080709010017 Optional item, a maximum of two spacers can be stacked
- #9 05059B010015 It is allowed to add hand grip tape
- #10 05059B010016 It is allowed to add hand grip tape
- #14 08070901023B Alternative stud to be used without shim (item #8)
- 08070901023C Alternative stud to be used with 1 shim (item #8)
- 08070901023D Alternative stud to be used with 2 shims (item #8)



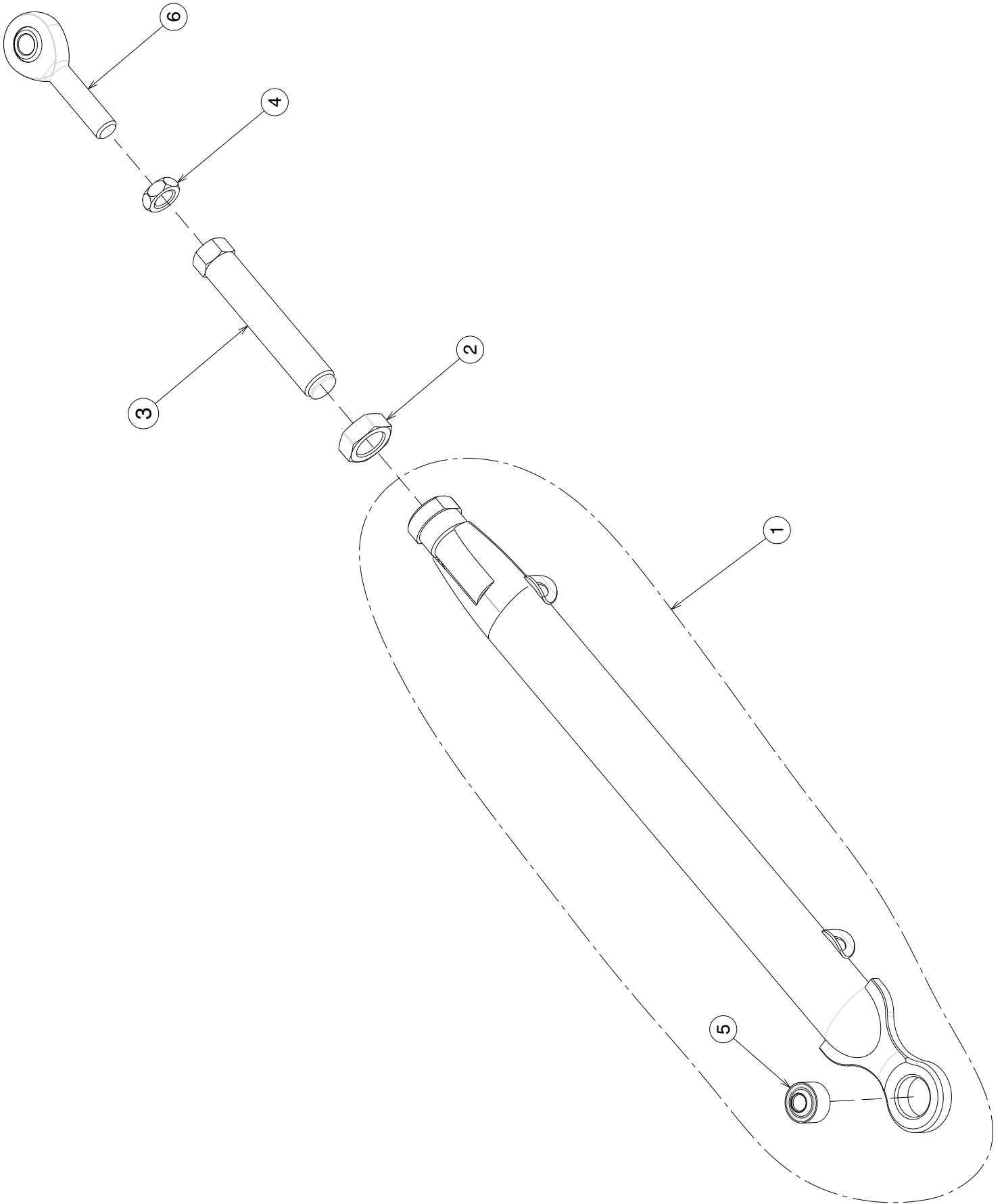
14A - REAR UPPER WISHBONE

Item	Part Number	Descrizione	Description	1	2	3	Notes
1	3314003	Assieme braccio posteriore superiore	Rear top wishbone assy		X		•
2	3314022	Assieme Tirante convergenza posteriore	Rear Tie Rod Assy				
3	2410025	Fissaggio cavo ritenzione	Tether Fitting	X			
4	2414030	Prigioniero M8x30	Stud M8x30	X			
5	2414033	Blocchetto per ABWT4 Completo	ABWT4 Bracket Assy	X			
6	161705010	Cavo di ritenzione 6 kJ	Wheel Tether 6kJ	X			
7	090910011	Rondella Speciale 5/16" Sp. 2 mm	Special Washer 5/16" Th. 2 mm	X			
8	030205005	Boccola ABWT4	Bush				
9	AN4-12A	vite NAS	NAS bolt			X	
10	AN5-12A	vite NAS	NAS bolt			X	
11	UNI5931-M8X20	Vite TC	SHCS Screw			X	
12	AN365-5/16X24	Dado autobloccante	Self locking nut			X	
13	AST-1/4	K-nut	K-nut			X	
14	AST-08	K-nut	K-nut			X	
15	RZS8	Rondella zigrinata	Safety washer			X	
16	UNI6592-8	Rondella piana	Plain washer			X	
17	UNI6593-6X18	Rondella larga	Large washer			X	
18	UNIBALL-ABWT4V	Snodo sferico	Spherical bearing				
19	UNIBALL-ABWT5V	Snodo sferico	Spherical bearing				

#1 3314003

Spherical bearings can be replaced with items #18 and #19

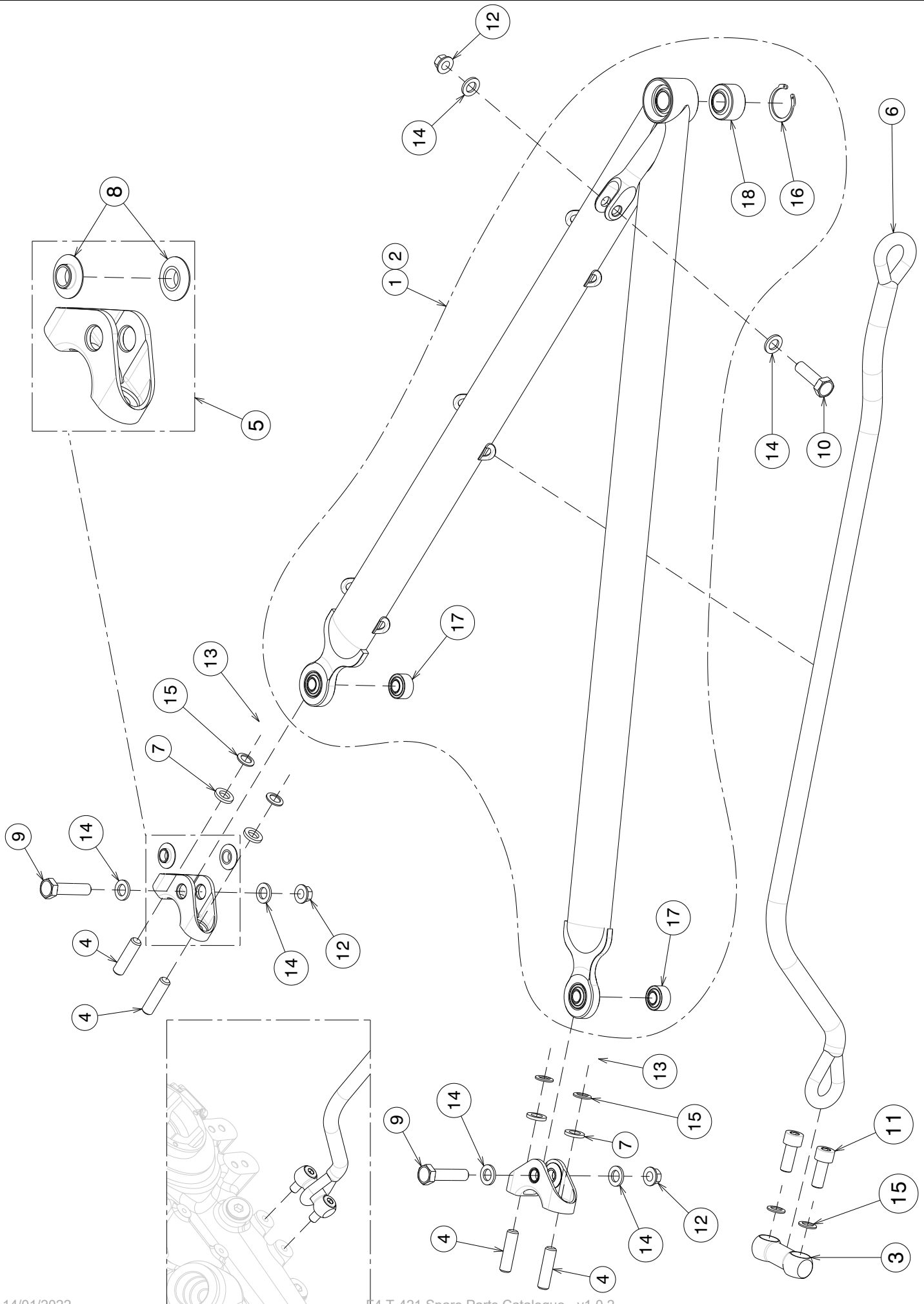
14B - TIE ROD



14B - TIE ROD

Item	Part Number	Descrizione	Description	1	2	3	Notes
1	3314029	Tirante convergenza posteriore	Rear Tie Rod		X		•
2	010004014	Dado speciale M14x1.25	Special nut M14x1.25	X			
3	010005012	Registro puntone	Push rod adjuster	X			
4	ANSIB182265-3/8X24	Dado esagonale Sinistro	Hexagon nut			X	
5	UNIBALL-ABWT4V	Snodo sferico	Spherical bearing				
6	RE-3/8L	Testa a snodo	Rod end			X	

#1 3314029 Spherical bearing can be replaced with items #5.



14C - REAR LOWER WISHBONE

Item	Part Number	Descrizione	Description	1	2	3	Notes
1	3314007	Assieme braccio posteriore inferiore Sx	Rear Lh bottom wishbone assy		X		•
2	3314008	Assieme braccio posteriore inferiore Dx	Rear Rh bottom wishbone assy	X			
3	2410025	Fissaggio cavo ritenzione	Tether Fitting	X			
4	2414030	Prigioniero M8x30	Stud M8x30	X			
5	2414035	Blocchetto per ABWT5 Completo	ABWT5 Bracket Assy	X			
6	161705010	Cavo di ritenzione 6 kJ	Wheel Tether 6kJ	X			
7	090910011	Rondella Speciale 5/16" Sp. 2 mm	Special Washer 5/16" Th. 2 mm	X			
8	030205004	Boccola ABWT5	Bush				
9	AN5-12A	vite NAS	NAS bolt			X	
10	AN5-10A	vite NAS	NAS bolt			X	
11	UNI5931-M8x20	vite TC	SHCS screw	X			
12	AST-5/16	K-nut	K-nut			X	
13	AST-08	K-nut	K-nut			X	
14	AN960-5/16	Rondella piana	Plain washer			X	
15	RZS8	Rondella zigrinata	Safety washer			X	
16	J25X1,2V	Circlip	Circlip				
17	UNIBALL-ABWT5V	Snodo sferico	Spherical bearing				
18	UNIBALL-ABWT8	Snodo sferico	Spherical bearing				

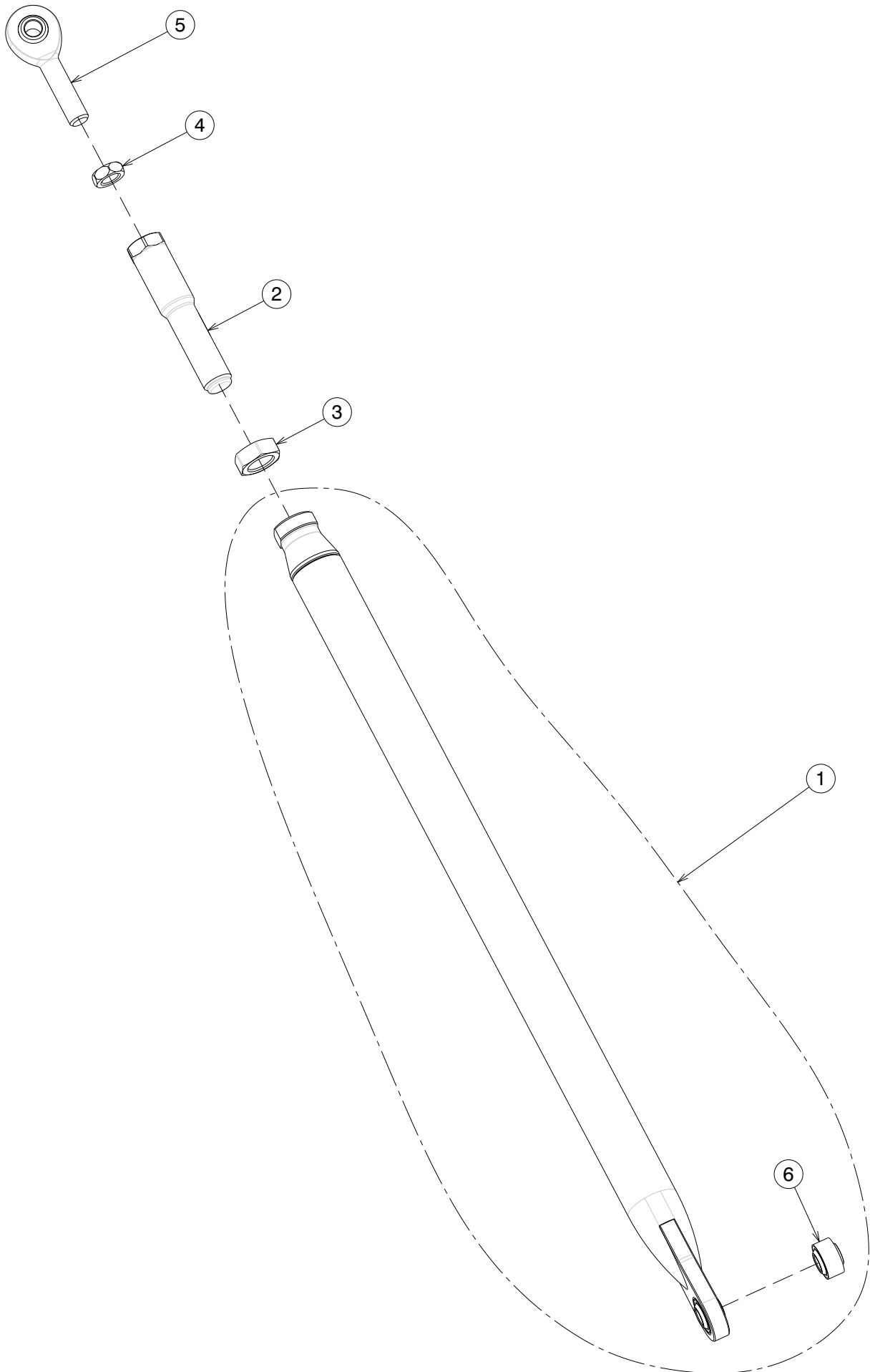
#1 3314007

Spherical bearings can be replaced with items #16, 17 and #18

#2 3314008

Spherical bearings can be replaced with items #16, 17 and #18

14D - REAR PUSHROD

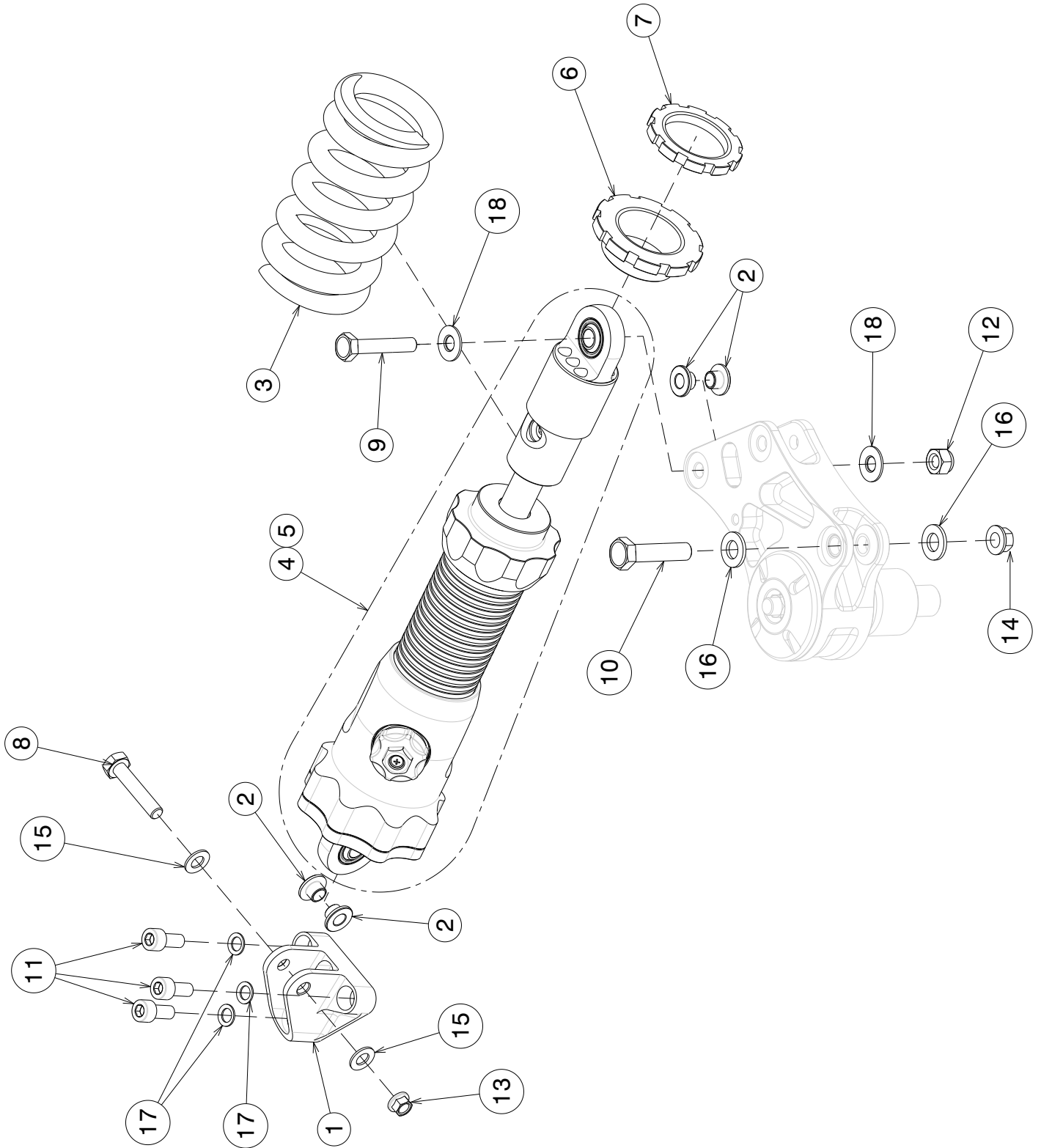


14D - REAR PUSH-ROD

Item	Part Number	Descrizione	Description	1	2	3	Notes
1	3314013	Assieme Puntone posteriore	Rear push rod		X		•
2	3314031	Registro puntone	Push rod adjuster	X			
3	010004014	Dado speciale M14x1.25	Special nut M14x1.25	X			
4	ANSIB182265-3/8X24	Dado esagonale Sinistro	Hexagon nut			X	
5	RE-3/8L	Testa a snodo	Rod end			X	
6	UNIBALL-ABWT5V	Snodo sferico	Spherical bearing				

#1 3314013 Spherical bearing can be replaced with items #6.

15A - REAR ROCKERS

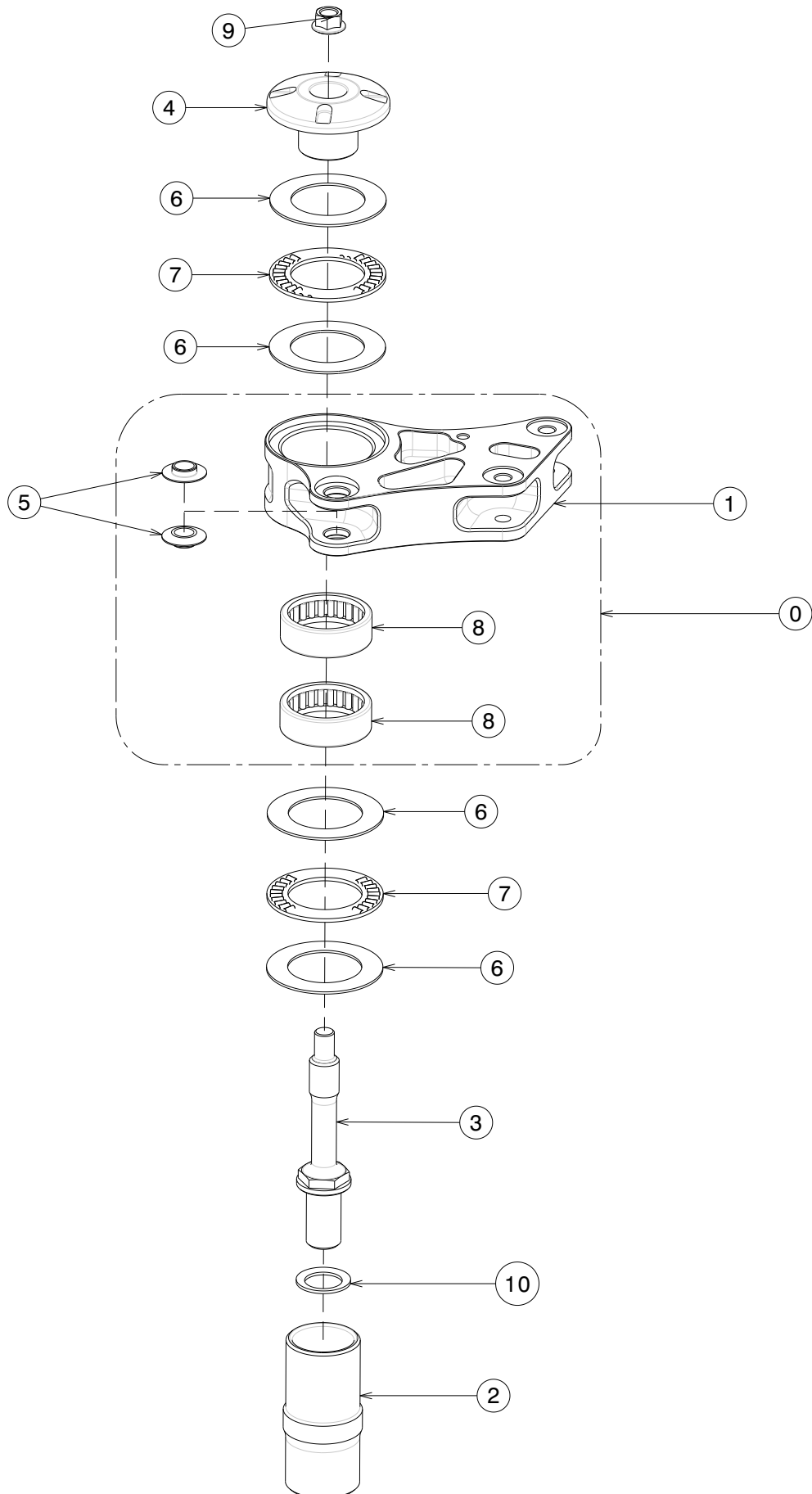


15A - REAR ROCKERS

Item	Part Number	Descrizione	Description	1	2	3	Notes
1	151413004	Supporto ammortizzatore	Damper bracket	X			
2	080608010	Boccola	Bush	X			
3	ERSHF3C0700	Molla Lineare	Linear Spring		X		•
	ERSHF3C0900	Molla Lineare	Linear Spring		X		•
	ERSHF3C1000	Molla Lineare	Linear Spring		X		•
	ERSHF3C1100	Molla Lineare	Linear Spring		X		•
4	AGTATF4RL	Ammortizzatore posteriore sinistro	Rear LH damper	X			
5	AGTATF4RR	Ammortizzatore posteriore destro	Rear RH damper	X			
6	AGFLSR	Ghiera	Spring retainer	X			
7	AGFLSN	Controghiera	Spring nut	X			
8	AN4-12A	vite NAS	NAS bolt			X	
9	AN4-13A	vite NAS	NAS bolt			X	
10	AN5-12A	vite NAS	NAS bolt			X	
11	UNI5931-M6X14	vite TC	SHCS screw			X	
12	AN365-1_4X28	Dado autobloccante	Self locking nut			X	
13	AST-1/4	K-nut	K-nut			X	
14	AST-5/16	K-nut	K-nut			X	
15	AN960-1/4	Rondella piana	Plain washer			X	
16	UNI6592-8	Rondella piana	Plain washer			X	
17	RZS-6	Rondella zigrinata	Safety washer			X	
18	RS065160010	Rondella speciale 6.5x16x1	Special washer 6.5x16x1			X	

#3	ERSHF3C0700	#3 Alternative items
	ERSHF3C0900	#3 Alternative items
	ERSHF3C1000	#3 Alternative items
	ERSHF3C1100	#3 Alternative items

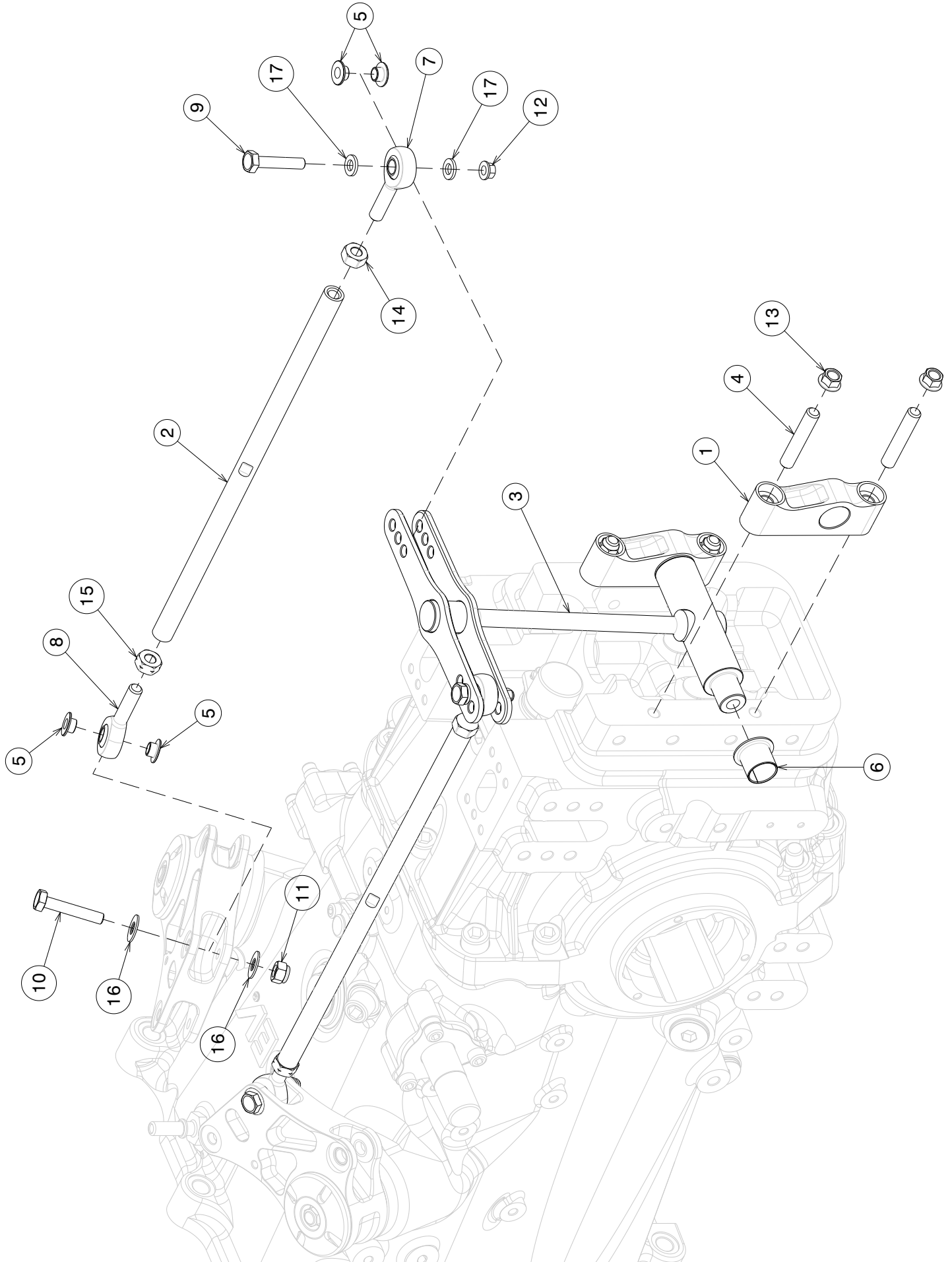
15B - REAR ROCKER



15B - REAR ROCKER

Item	Part Number	Descrizione	Description	1	2	3	Notes
0	3315001	Rocker Posteriore Completo	Rear Rocker Assy				
1	3315002	Rocker posteriore	Rear rocker	X			
2	161413013	Perno rocker post.	Rear rocker pivot	X			
3	161413014	Perno prigioniero rocker	Rear rocker stud	X			
4	161413015	Ghiera rocker	Rocher ring	X			
5	030205004	Boccola ABWT5	Bush	X			
6	AS3047	Controralla	Thrust bearing washer	X			
7	AXK3047	Cuscinetto reggispinta	Thrust bearing	X			
8	HK3012	Cuscinetto a rulli	Drawn cup needle roller bearing	X			
9	AST-08	K-nut	K-nut			X	
10	RZS14	Rondella zigrinata	Safety washer			X	

15C - REAR ANTIROLL BAR

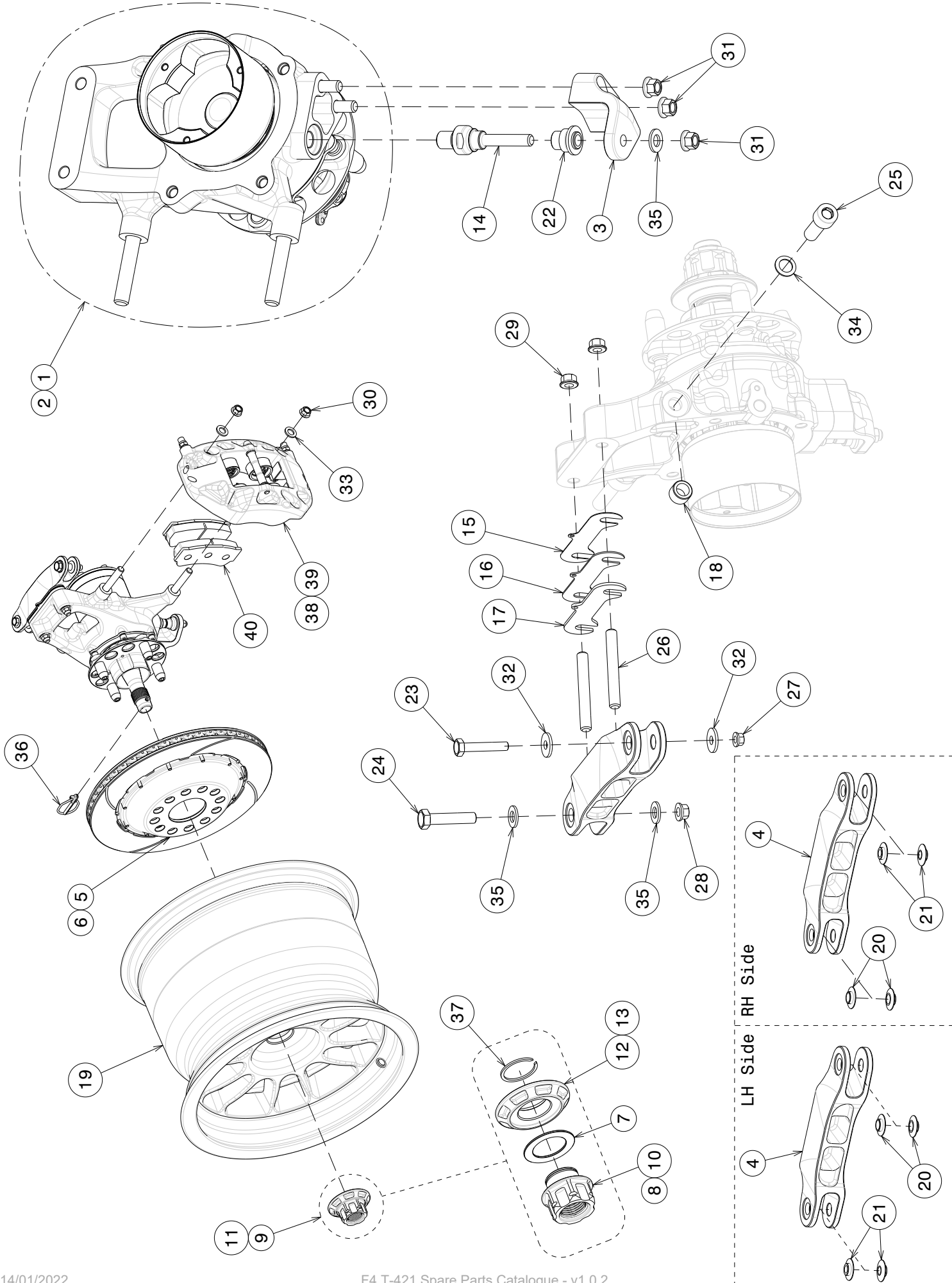


15C - REAR ANTIROLL BAR

Item	Part Number	Descrizione	Description	1	2	3	Notes
1	3315003	RARB Bracket	Supporto RARB	X			
2	3315004	ARB link	ARB link		X		•
3	3315006	RARB D10	RARB D10		X		•
	3315007	RARB D14	RARB D14		X		•
4	161411012	Prigioniero	Stud	X			
5	010008010	Boccola	Bush		X		•
6	PAF16170P10	Boccola autolubrificante	Self-lubricating Bush	X			
7	RE-8M	Testa snodo M8	Rod end M8			X	•
8	RE-8ML	Testa snodo M8	Rod end M8			X	•
9	AN4-12A	vite NAS	NAS bolt			X	•
10	AN4-13A	vite NAS	NAS bolt			X	•
11	AN365-1/4X28	Dado autobloccante	Self locking nut			X	•
12	AST-1/4	K-nut	K-nut			X	•
13	AST-08	K-nut	K-nut			X	
14	UNI5588-M8	Dado esagonale	Hex Nut			X	•
15	UNI5588-M8L	Dado esagonale	Hex Nut			X	•
16	RS065160010	Rondella speciale 6.5x16x1	Special washer 6.5x16x1		X		•
17	UNI6592-6	Rondella piana	Plain washer		X		•

- #2 3315004 Optional item, may be removed.
- #3 3315006 #3 Alternative items.
3315007 #3 Alternative items.
- #4 161411012 Optional item, may be removed.
- #5 010008010 Optional item, may be removed.
- #7 RE-8M Optional item, may be removed / disconnected.
- #8 RE-8ML Optional item, may be removed / disconnected.
- #9 AN4-12A Optional item, may be removed.
- #10 AN4-13A Optional item, may be removed.
- #11 AN365-1/4X28 Optional item, may be removed.
- #12 AST-1/4 Optional item, may be removed.
- #13 AST-08 Optional item, may be removed.
- #14 UNI5588-M8 Optional item, may be removed.
- #15 UNI5588-M8L Optional item, may be removed.
- #16 RS065160010 Optional item, may be removed.
- #17 UNI6592-6 Optional item, may be removed.

16A - REAR UPRIGHT



16A - REAR UPRIGHT

Item	Part Number	Descrizione	Description	1	2	3	Notes
1	3316004	Assieme Portamozzo Posteriore DX (filetto SX)	Rh Rear Upright Assy (Lh thread)				
2	3316005	Assieme Portamozzo Posteriore SX (filetto DX)	Lh Rear Upright Assy (Rh thread)				
3	3316009	Attacco braccio posteriore inferiore	Bottom wishbone bracket	X			
4	3316013	Attacco braccio posteriore superiore	Rear top wishbone clevis	X			
5	3312012	Assieme Disco Freno DX	Rh Brake Disc Assy				
6	3312013	Assieme Disco Freno SX	Lh Brake Disc Assy				
7	3312027	Rasamento dado ruota	Wheel Nut shim	X			
8	3312029	Dado ruota (filetto DX)	Wheel Nut (RH thread)	X			
9	3312030	Assieme dado ruota (filetto DX)	Wheel Nut Assy (RH thread)				
10	3312032	Dado ruota (filetto SX)	Wheel Nut (LH thread)	X			
11	3312034	Assieme dado ruota (filetto SX)	Wheel Nut Assy (LH thread)				
12	3312035	Flangia centraggio dado ruota SX (rosso)	LH Wheel Nut centering flange (red)	X			
13	3312036	Flangia centraggio dado ruota DX (verde)	RH Wheel Nut centering flange (green)	X			
14	2416028	Prigioniero	Custom pivot	X			
15	2412035	Spessore camber 0.5 mm	Camber shim 0.5 mm		X		•
16	2412036	Spessore camber 1 mm	Camber shim 1 mm		X		•
17	2412037	Spessore camber 2 mm	Camber shim 2 mm		X		•
18	181507014	Boccola	Bush	X			
19	161411011	Cerchio OZ 10x13"	10"x13" Rim	X			
20	030205004	Boccola ABWT5	Bush				
21	030205005	Boccola ABWT4	Bush				
22	010011021	Boccola ABWT8	Bush ABWT8	X			
23	AN4-13A	vite NAS	NAS bolt			X	
24	AN5-13A	vite NAS	NAS bolt			X	
25	UNI5931-M10X1.25X30-cl10.9	vite TC	SHCS screw	X			
26	UNI5911-M8x50	Prigioniero	Stud	X			
27	AST-1/4	K-nut	K-nut			X	
28	AST-5/16	K-nut	K-nut			X	
29	AST-08	K-nut	K-nut			X	
30	AST-10X1,5	K-nut	K-nut			X	
31	DIN6927-M8ER	Dado flangiato autofrenante ER	K-lock			X	
32	UNI6593-6X18	Rondella larga	Large washer			X	
33	DIN433-10	Rondella piana	Plain washer			X	
34	RZS10	Rondella zigrinata	Safety washer			X	
35	UNI6592-8	Rondella piana	Plain washer			X	
36	2470000	Clip sicurezza	Linchpin	X			
37	SW28	SW Seeger Circlip	SW Seeger Circlip			X	
38	FRNSKT6875	Pinza freno sinistra TM	Lh Brake Caliper				
39	FRNSKT6876	Pinza freno destra TM	Rh Brake Caliper				
40	FRPAP1316098	Pastiglie freno (8x)	Brake pads (8x)	X			•

#15 2412035 Number and stack of shims is free

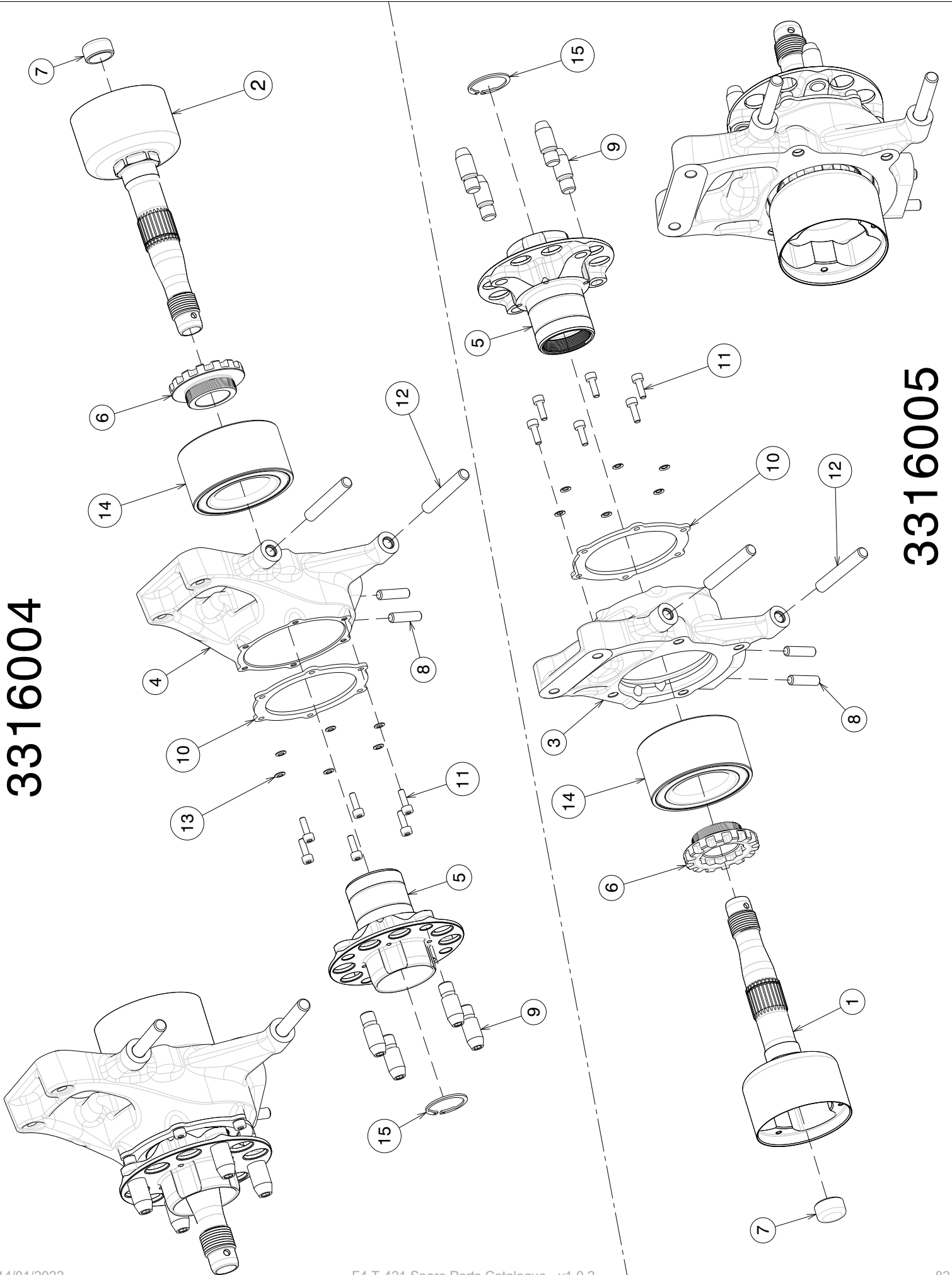
#16 2412036 Number and stack of shims is free

#17 2412037 Number and stack of shims is free

#40 FRPAP1316098 See sporting regulation and Homologation Documents for allowed alternatives.

3316004

3316005

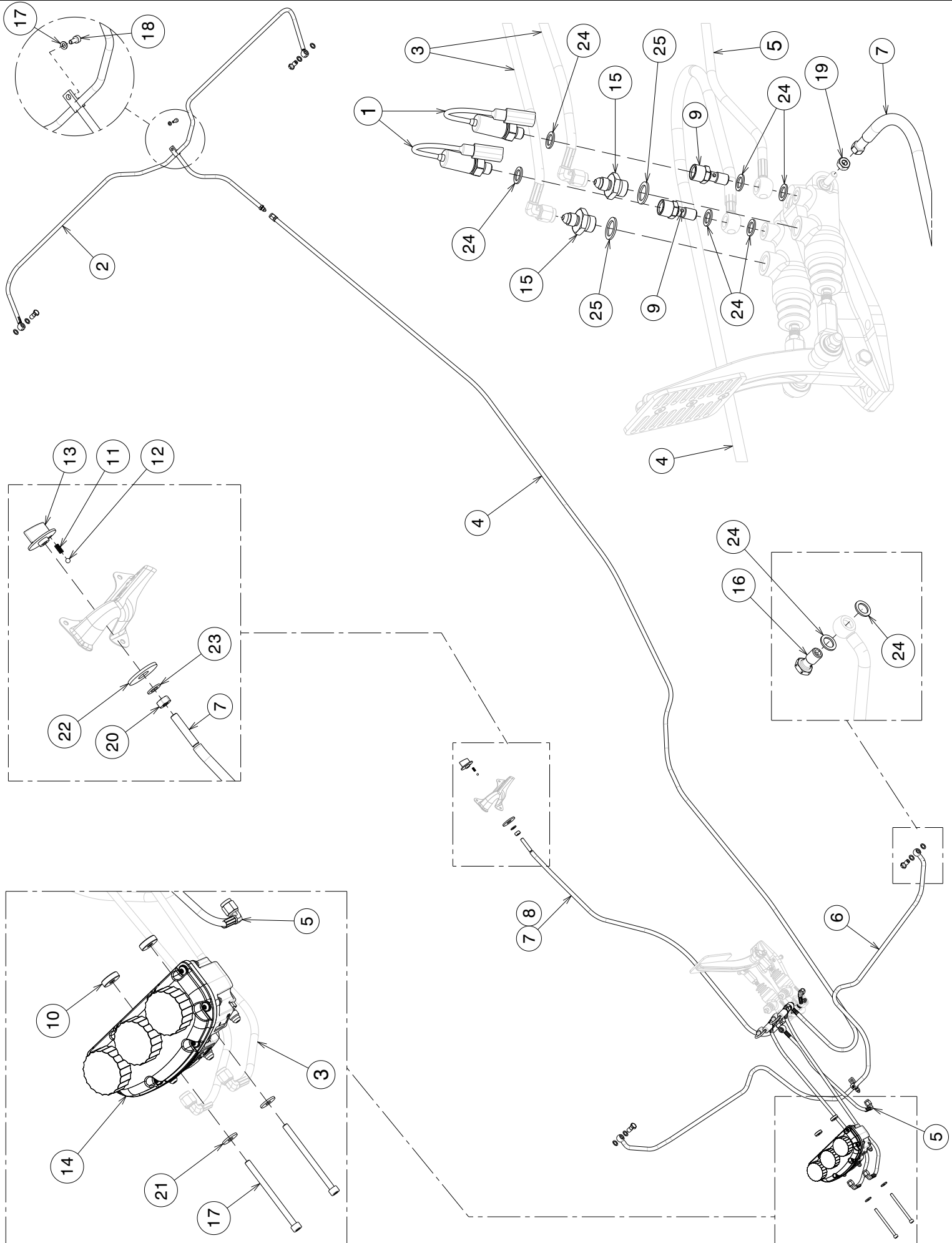


16B - REAR UPRIGHT

Item	Part Number	Descrizione	Description	1	2	3	Notes
1	3316011	Perno ruota posteriore (filetto DX)	Rear wheel axle (Lh thread)	X			
2	3316016	Perno ruota posteriore (filetto SX)	Rear wheel axle (Rh thread)	X			
3	3312006	Portamozzo Ant DX/Post SX	Front Rh/Rear Lh Upright		X		•
4	3312007	Portamozzo Ant SX/Post DX	Front Lh/Rear Rh Upright		X		•
5	3312008	Mozzo	Wheel hub		X		•
6	3312010	Flangia mozzo ruota	Wheel hub flange	X			
7	2416023	Stop semiasse	Drive shaft stop	X			
8	2414030	Prigioniero M8x30	Stud M8x30	X			
9	161407016	Pin trascinatore	Wheel Drive Pin	X			
10	010007003	Anello ritenzione	Ring	X			
11	UNI5931-M5X16	vite TC	SHCS screw			X	
12	UNI5911-M10x50	Prigioniero	Stud	X			
13	RZS5	Rondella zigrinata	Safety washer			X	
14	BAH0144A	Cuscinetto ruota	Wheel bearing			X	
15	A30X1,5V	Seeger AV	AV Seeger			X	

- #3 3312006 It is allowed to repair threads.
 #4 3312007 It is allowed to repair threads.
 #5 3312008 It is allowed to repair the M12 threads.

20 - BRAKE LINES



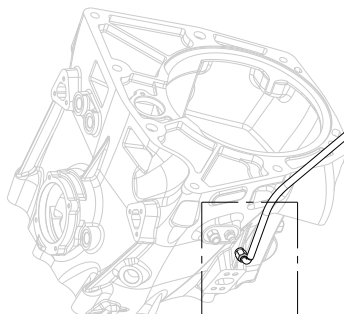
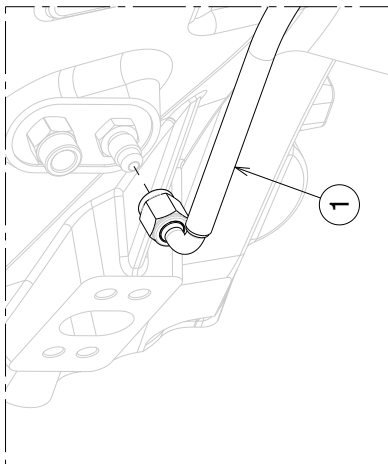
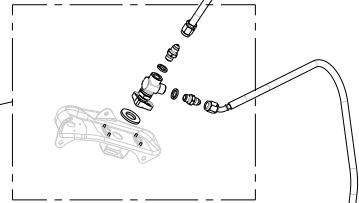
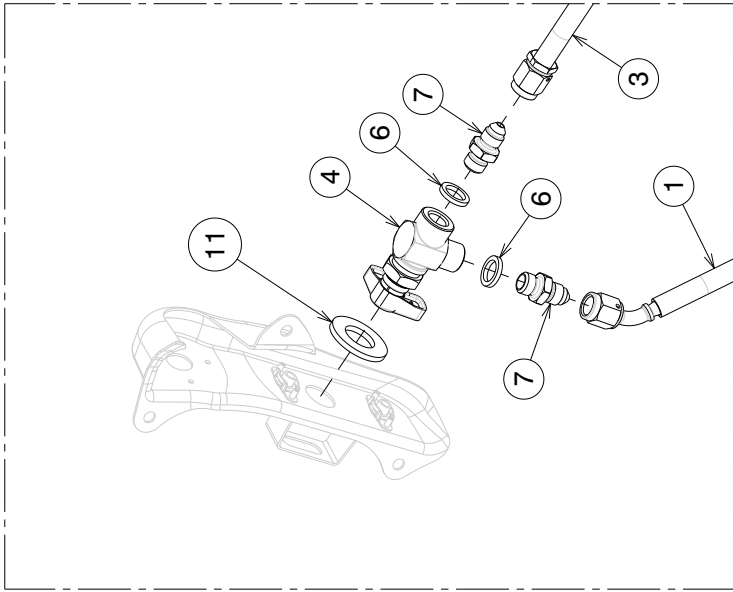
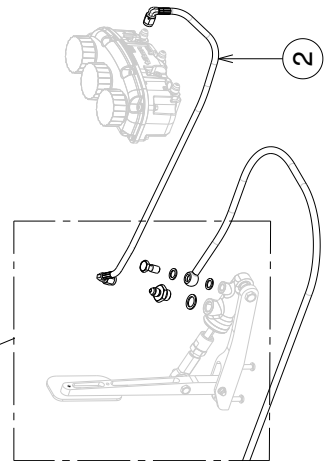
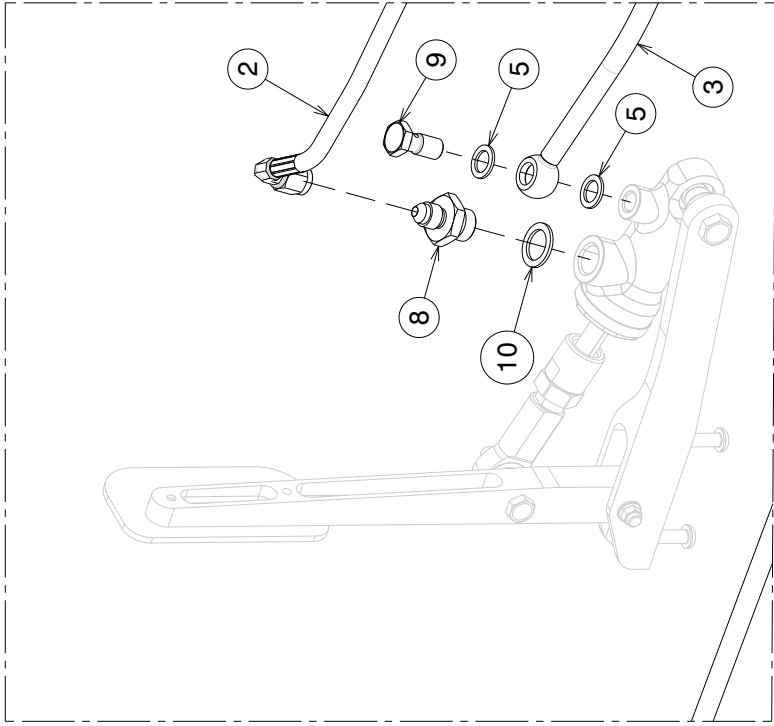
20 - BRAKE LINES

Item	Part Number	Descrizione	Description	1	2	3	Notes
1	3326001	Sensore Pressione (100bar)	Pressure Sensor (100bar)	X			
2	3320005	Tubo freno posteriore sx/dx	Rear brake hose LH/RH	X			
3	2420001	Tubo Pompa - Vaschetta	Master cylinder - reservoir hose	X			
4	2420002	Tubo Freno Posteriore	Rear Brake Hose	X			
5	2420003	Tubo freno: pompa ant- Tubo freno ant (SX-DX)	Brake hose: front master cylinder-front brake hose (Rh-Lh)	X			
6	2420004	Tubo freno ant (SX-DX)	Front brake hose (LH-RH)	X			
7	2420007	Cavo Ripartizione Frenata (1095 mm)	Brake Bias Cable (1095 mm)		X		•
8	2420009	Cavo Ripartizione Frenata (970 mm)	Brake Bias Cable (970 mm)		X		•
9	090916008	Adattatore sensore pressione	Pressure sensor adapter	X			
10	080724062	Distanziale	Spacer	X			
11	010015033	Molla Lineare	Linear Spring	X			
12	010015034	Sfera	Knob ball	X			
13	010015035	Manopola Ripartitore	Brake Bias Knob	X			
14	72578	Serbatoio pompa freno	Master cylinder reservoir	X			
15	77015	Adattatore da AN-6 a AN-4	AN-6 to AN-4 Adapter	X			
16	9920331	Vite banjo	Banjo bolt	X			
17	UNI5931-M6X85	vite TC	SHCS screw			X	
18	UNI5931-M5X12	vite TC	SHCS screw			X	
19	UNI5588-M6	Dado esagonale	Hexagon nut			X	
20	UNI5588-M8	Dado esagonale	Hex Nut			X	
21	UNI6593-6X18	Rondella larga	Large washer			X	
22	UNI6593-12X30	Rondella larga	Large washer			X	
23	UNI6592-8	Rondella piana	Plain washer			X	
24	4451603	Rondella di Rame	Copper Washer			X	
25	RR1420	Rondella di Rame	Copper washer			X	
26	UNI6592-5	Rondella piana	Plain washer			X	

#7 2420007 #2420007 or #2420009: Alternative items

#8 2420009 #2420009 or #2420007: Alternative items

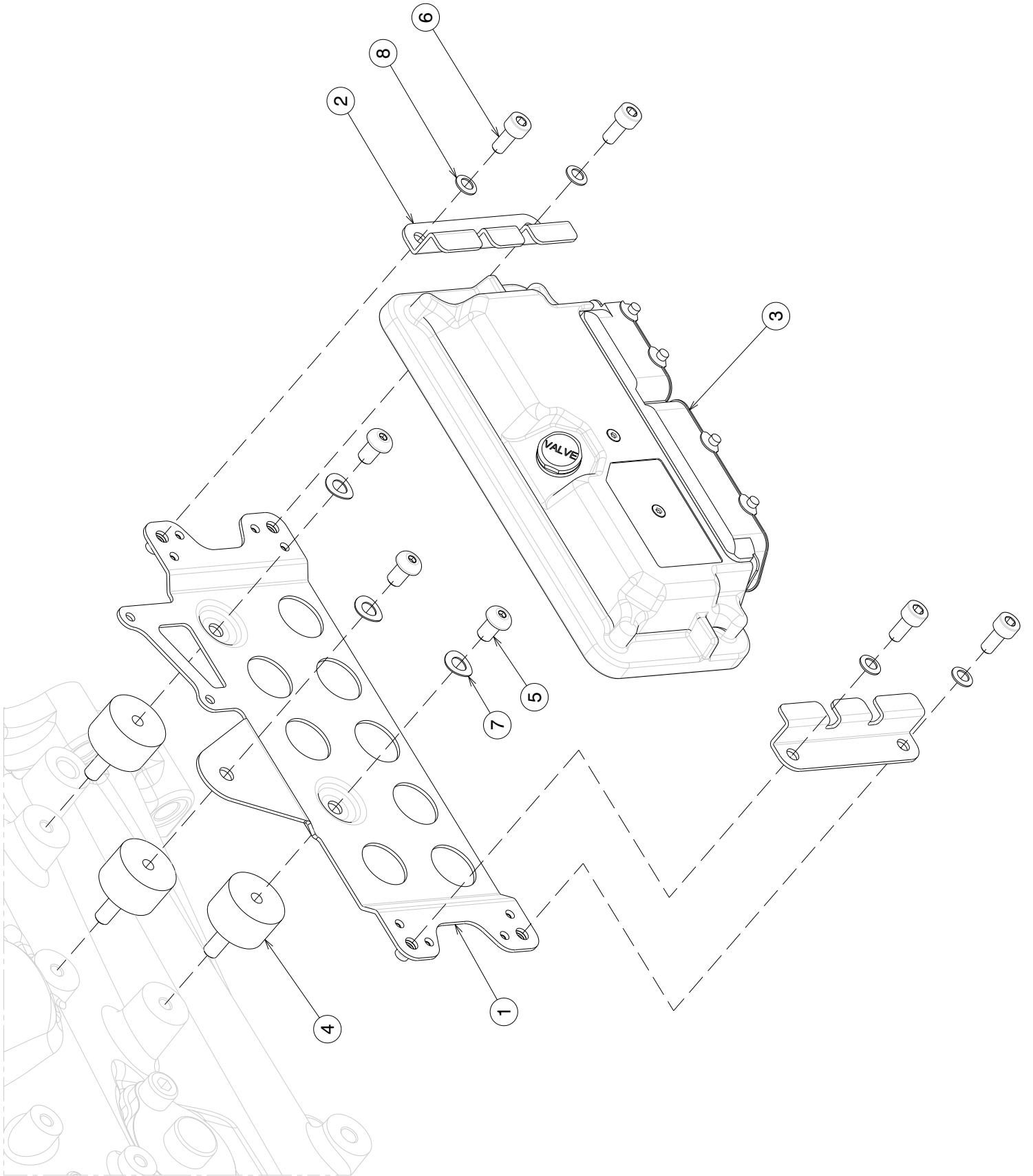
#22 UNI6593-12X30 It is allowed to modify the thickness



21 - CLUTCH LINE

Item	Part Number	Descrizione	Description	1	2	3	Notes
1	3321004	Tubo rubinetto-campana	Valve- Engine Spacer Hose	X			
2	2420001	Tubo Pompa - Vaschetta	Master cylinder - reservoir hose	X			
3	2421001	Tubo Pompa Frizione - Rubinetto	Clutch Hose	X			
4	067201818	Valvola a "L"	"L" Valve	X			
5	4451603	Rondella di Rame	Copper Washer			X	
6	44517	Rondella di Rame	Copper Washer			X	
7	7410303P	Adattatore BSP 1/8X28 - JIC 3/8X24	Adaptor BSP 1/8X28 - JIC 3/8X24	X			
8	77015	Adattatore da AN-6 a AN-4	AN-6 to AN-4 Adapter	X			
9	77503	Vite banjo	Banjo bolt	X			
10	RR1420	Rondella di Rame	Copper washer			X	
11	UNI6592-14	Rondella piana	Plain washer			X	

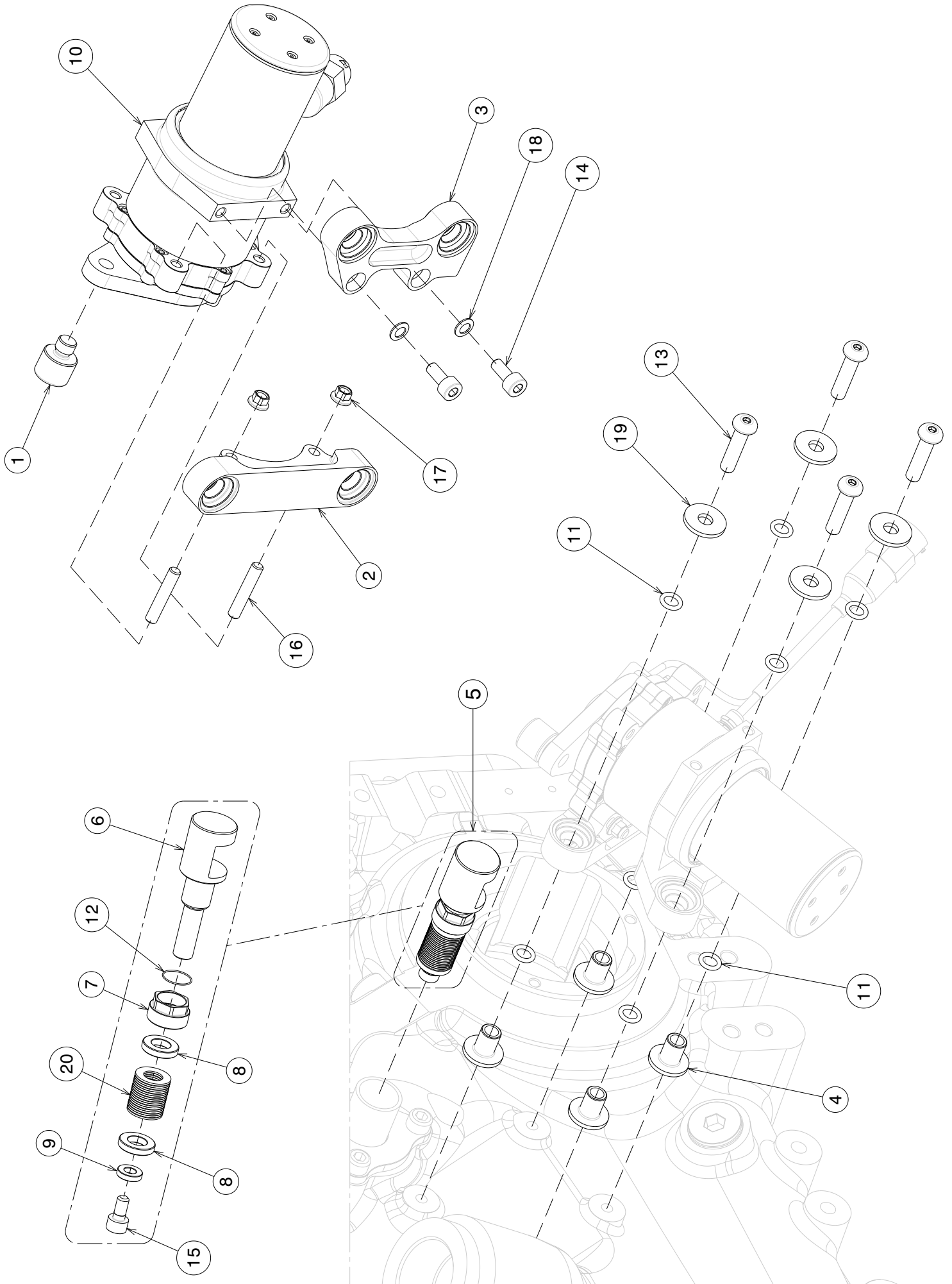
22A - GEAR ACTUATOR



22A - GEAR ACTUATOR

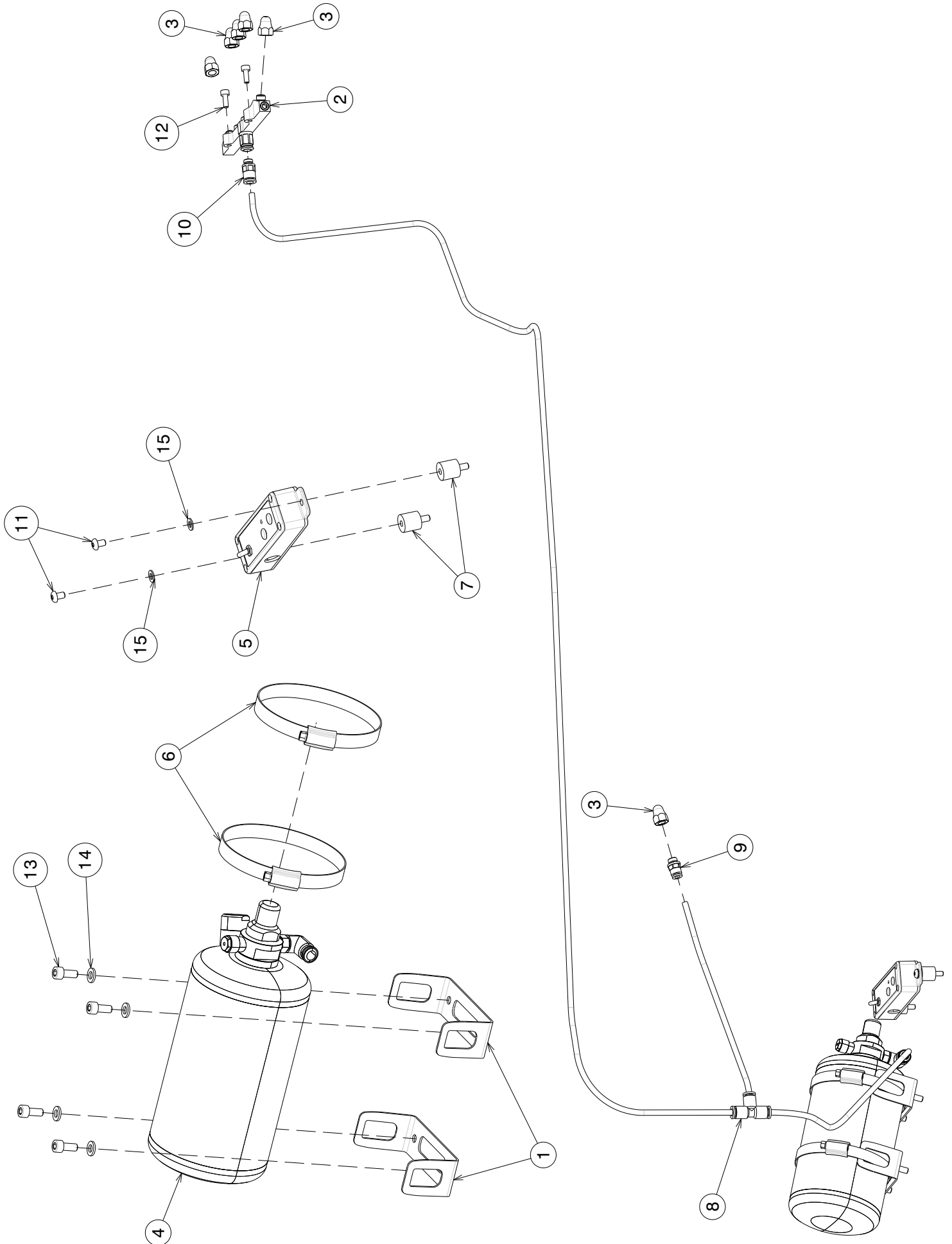
Item	Part Number	Descrizione	Description	1	2	3	Notes
1	3322005	Piastra GCC	GCC Carrier	X			
2	161418010	Blocco GCC	GCC Holder	X			
3	083815307300	GCC	GCC	X			
4	PUFM625X15MF	Puffer	AV bushing			X	
5	UNI7380-M6X10	vite TB	SHBS screw			X	
6	UNI5931-M5X12	vite TC	SHCS screw			X	
7	UNI8840B-6	Rondella ondulata	Crinckle washer			X	
8	RZS5	Rondella zigrinata	Safety washer			X	

22B - GEAR ACTUATOR



22B - GEAR ACTUATOR

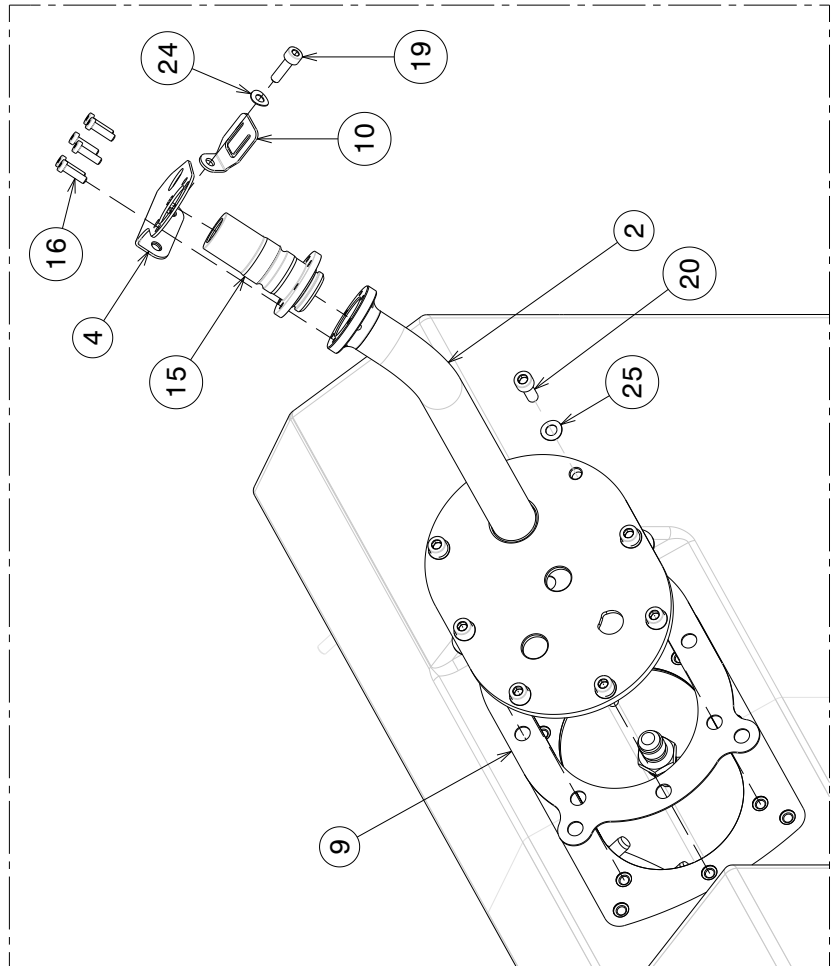
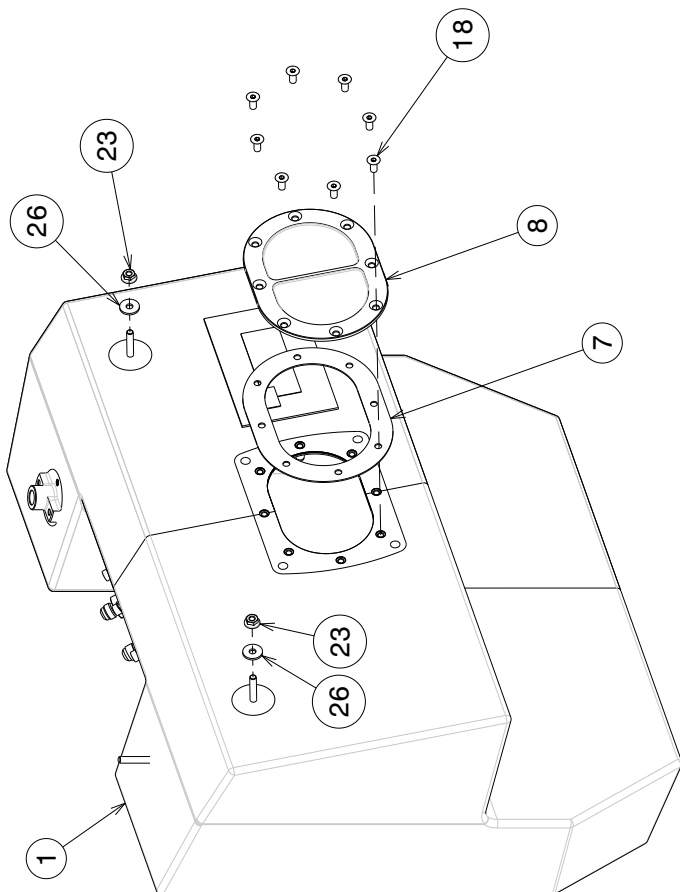
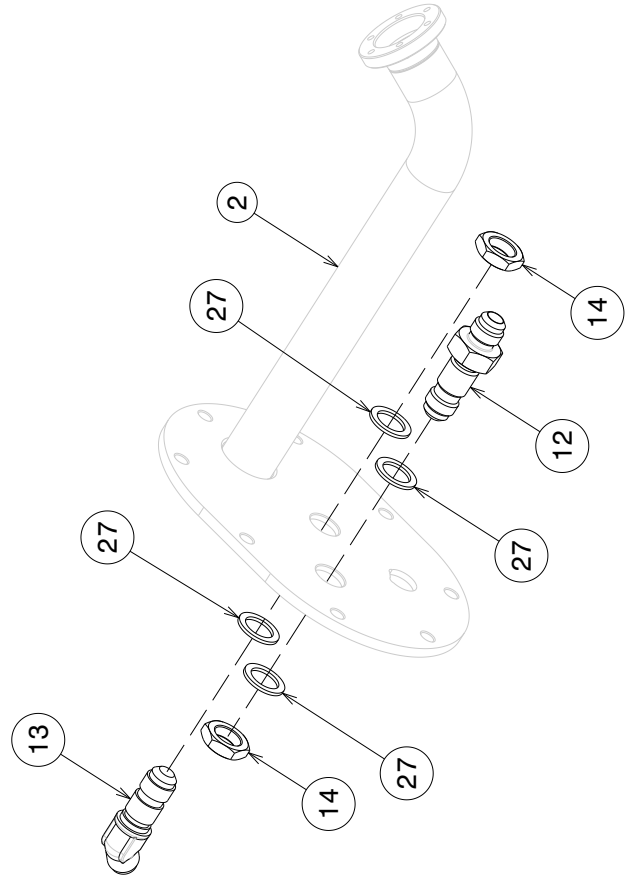
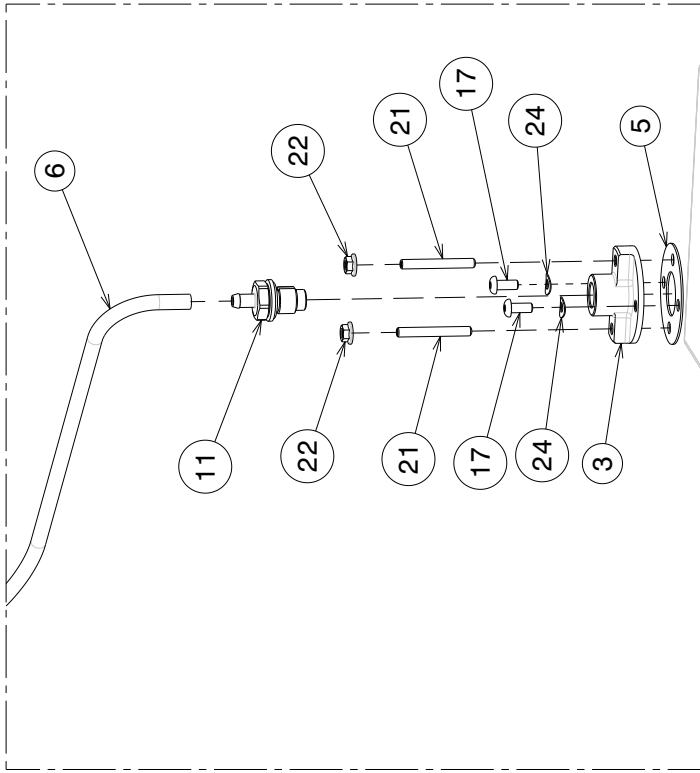
Item	Part Number	Descrizione	Description	1	2	3	Notes
1	3322002	Pin Esa	Pin Esa	X			
2	3322003	Supporto Principale attuatore	Principal bracket	X			
3	3322006	Supporto Attuatore	Secondary bracket	X			
4	3322010	Boccola	Bush	X			
5	3322012	Assieme Albero Smorzato	Damped Shaft Assy				
6	3322013	Albero	Shaft	X			
7	3322014	Boccola filettata	Threaded Bush	X			
8	3322015	Anello di spallamento	Retaining Ring	X			
9	3322016	Anello di bloccaggio	Locking Ring	X			
10	083803549400	ESA 2	ESA 2	X			
11	ORN08X3,5	O-Ring	O-Ring	X			
12	ORV12X1	O-Ring	O-Ring	X			
13	UNI7380-M6X25	vite TB	SHBS screw			X	
14	UNI5931-M5X12	vite TC	SHCS screw			X	
15	UNI5931-M5x10-CL12.9	Vite TC	SHCS screw			X	
16	010320016	Vite prigioniera	Stud			X	
17	AST-05	K-nut	K-nut			X	
18	RZS5	Rondella zigrinata	Safety washer			X	
19	UNI6593-6X18	Rondella larga	Large washer			X	
20	S4241	Molla a tazza DIN 2093	Belleville washer	X			



23 - FIRE SYSTEM

Item	Part Number	Descrizione	Description	1	2	3	Notes
1	3323002	Fissaggio Estintore	Extinguisher Bracket	X			
2	101017001	Ugelli vano motore	Engine bay extinguisher nozzle	X			
3	0909017002	Ugelli	Extinguisher nozzle	X			
4	CEFAL3B	Bombola					
5	CD398F2TATUUS	Centralino					
6	ABA6487112	Fascetta				X	
7	PUFM515X15MF	Puffer				X	
8	AG5523000010	Raccordo				X	
9	RL1618	Raccordo				X	
10	RL1818	Raccordo innesto rapido Fø6 - M1/8 G	Push in fitting Fø6 - M1/8 G			X	
11	UNI7380-TX-M5X8	Vite TB Torx	BH Torx Screw			X	
12	UNI5931-M5X14	vite TC	SHCS screw			X	
13	UNI5931-M6X14	vite TC	SHCS screw			X	
14	UNI6592-6	Rondella piana	Plain washer			X	
15	UNI6592-5	Rondella piana	Plain washer			X	

Aggiungere codici tubi estintore con diametro per essere sicuri che usino i diametri corretti

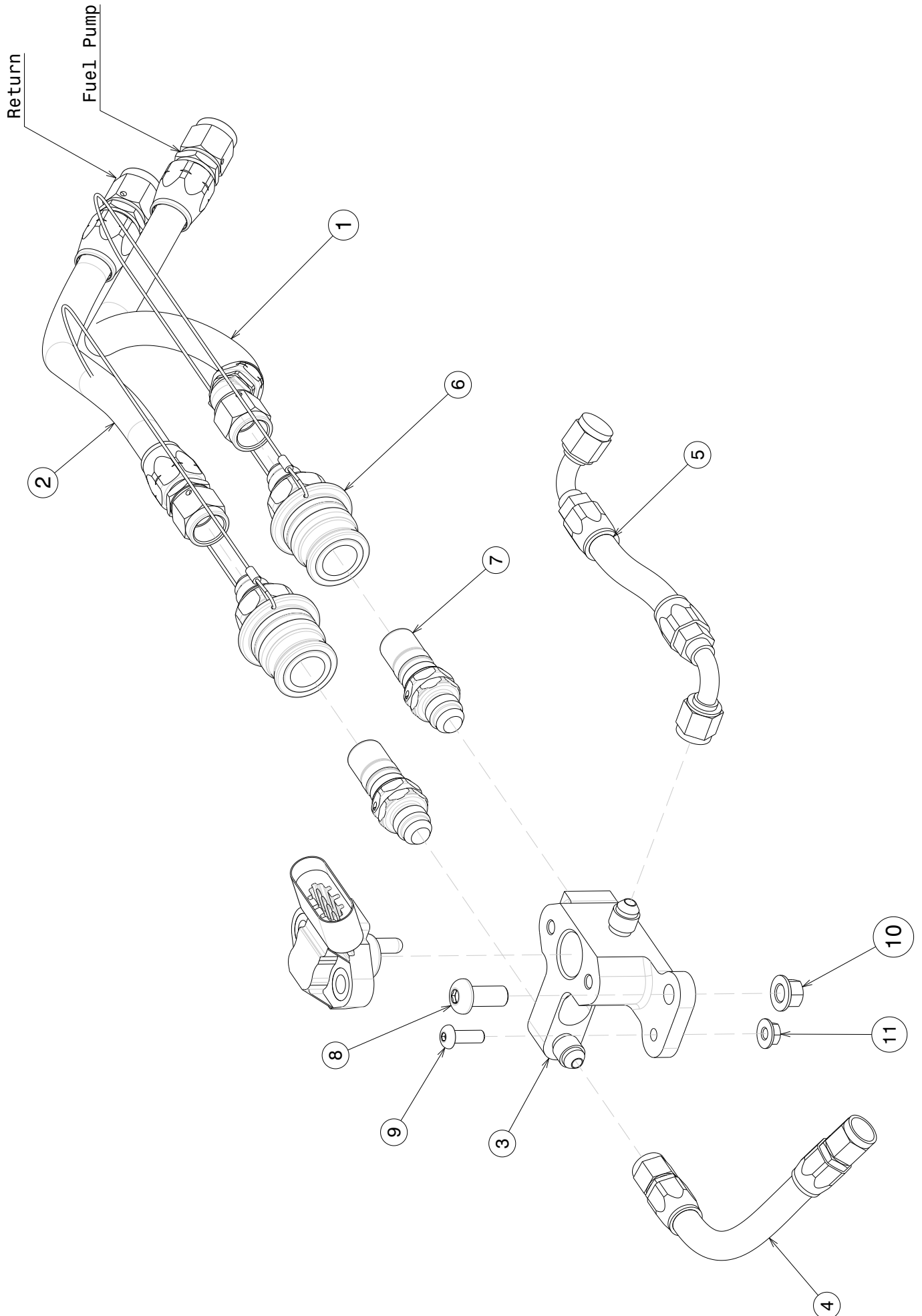


24A - FUEL SYSTEM

Item	Part Number	Descrizione	Description	1	2	3	Notes
1	3324001	Serbatoio benzina	Fuel Tank	X			•
2	3324002	Flangia serbatoio	Tank rear flange	X			
3	2424009	Tappo adattatore supporto sfiato	Breather flange	X			
4	2424010	Supporto raccordo riempimento	Supporting flange	X			
5	2424012	Guarnizione per flangia PFS004-4	Gasket for nutring PFS004-4	X			
6	2424017	Tube elastollan Ø8x6 L550	Elastollan hose Ø8x6 L550			X	
7	161421003	Guarnizione	Seal	X			
8	161421005	Flangia anteriore serbatoio	Tank front flange	X			
9	161421010	Guarnizione	Gasket	X			
10	090901019	Squadretta QR	Bracket	X			
11	010021017	Valvola Sfiato	Vent valve	X			
12	AN83206	ADMM Passaparete 9/16"x18 UNF	Bulkhead male/ male adaptor 9/16"x18 UNF			X	
13	AN83706	Racc. Passaparete 45° 9/16x18	45° male bulkhead			X	
14	AN92406	Dado 9/16x18 UNF	Nut			X	
15	N00916298	Raccordo rapido M	Quick release M	X			
16	UNI9327-M4X14	vite TC	SHCS screw			X	
17	UNI7380-M5X12	vite TB	SHBS screw			X	
18	UNI5933-M6X14	vite TS	SHCSH screw			X	
19	UNI5931-M5X18	vite TC	SHCS screw			X	
20	UNI5931-M6X16	vite TC	SHCS screw			X	
21	UNI5923-M5X40	Grano	grub screw			X	
22	DIN6927-M5	Dado flangiato autofrenante	K-lock			X	
23	DIN6927-M6	Dado flangiato autofrenante	K-lock			X	
24	UNI8840B-5	Rondella ondulata	Crinkle washer			X	
25	UNI8840B-6	Rondella ondulata	Crinkle washer			X	
26	UNI6593-6x18	Rondella larga	Large washer			X	
27	RR1420	Rondella di Rame	Copper washer			X	

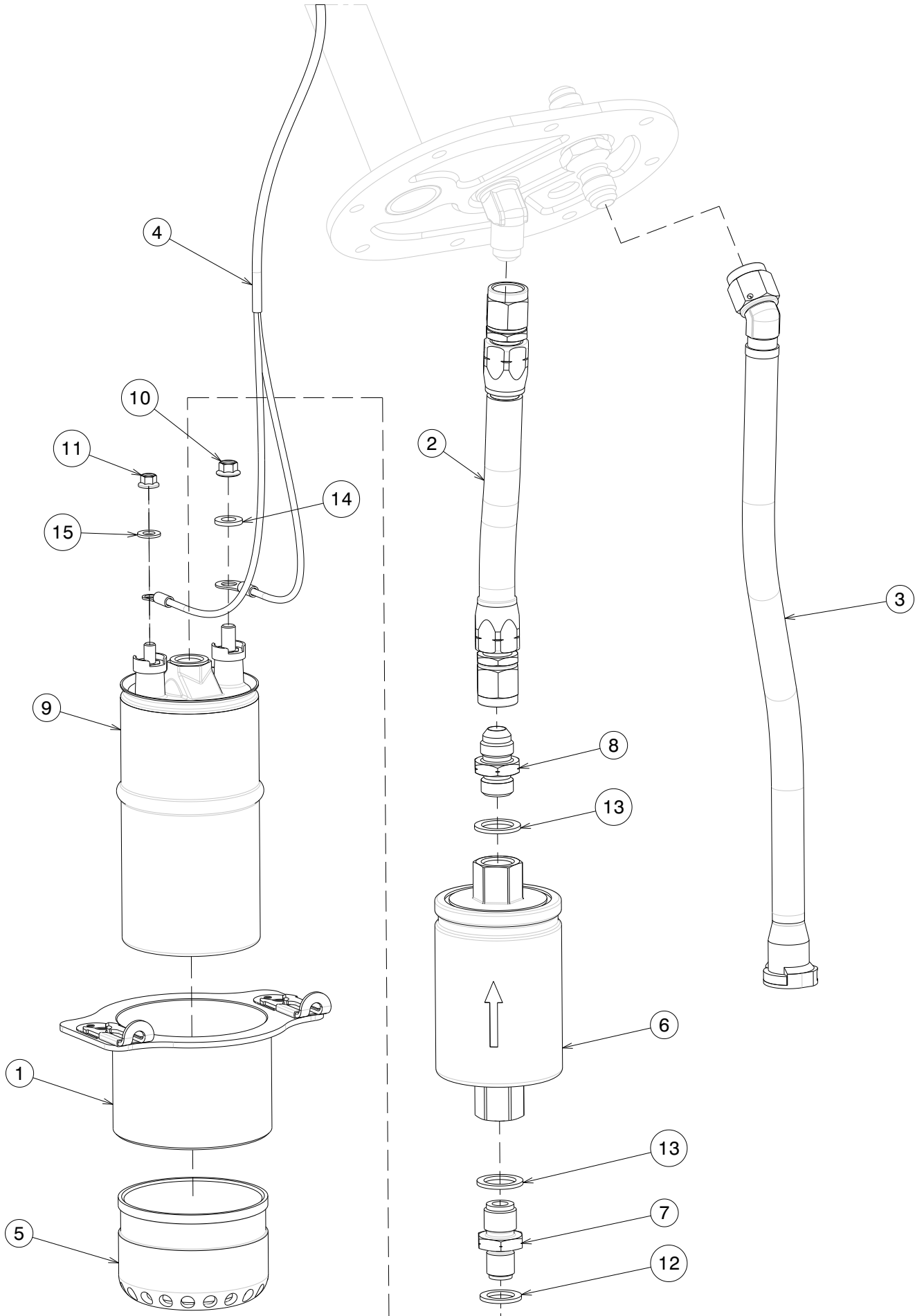
#1 3324001

Item can be repaired by an authorized reseller.



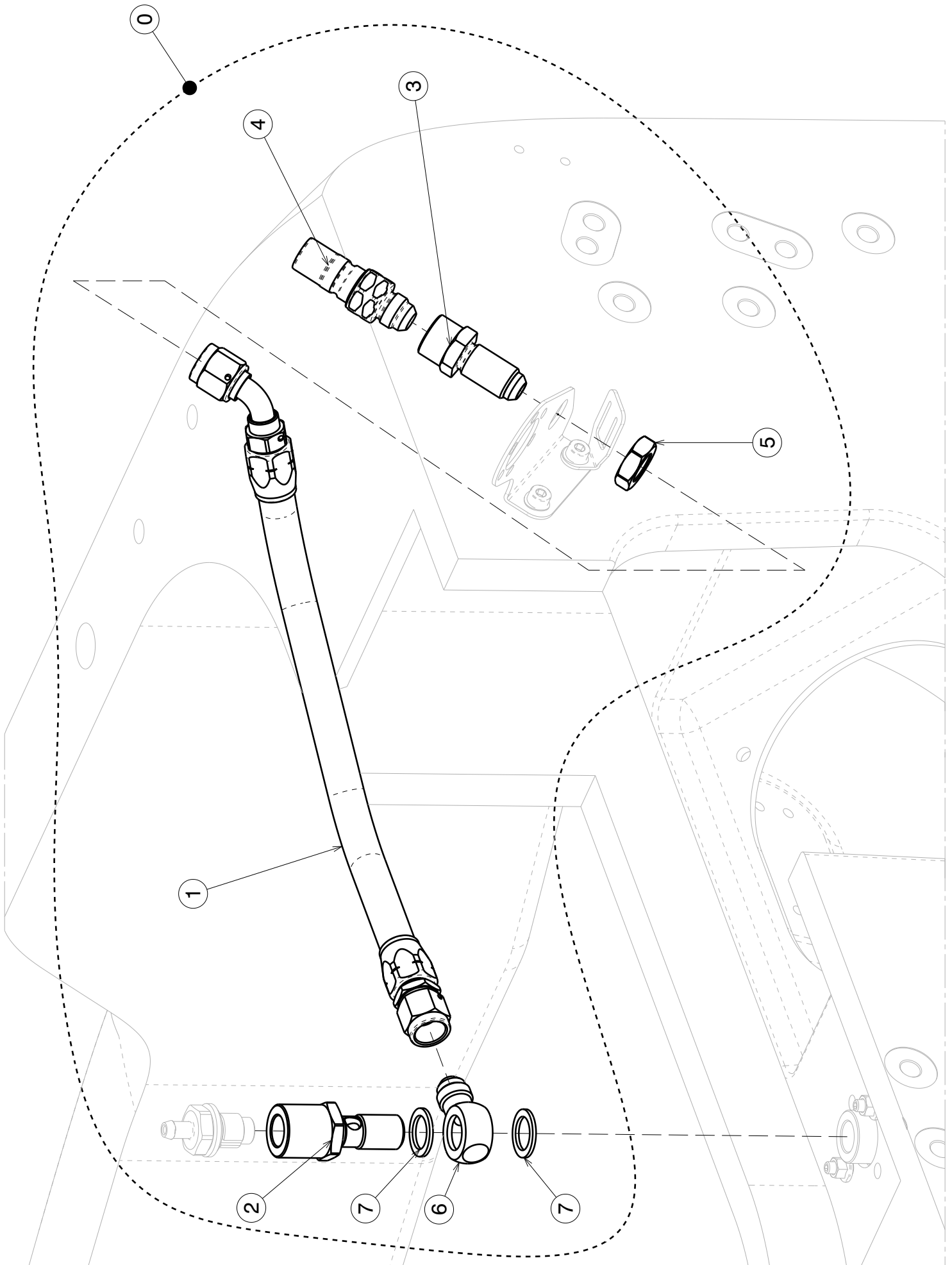
24B - FUEL SYSTEM

Item	Part Number	Descrizione	Description	1	2	3	Notes
1	2424008	Tubo benzina	Fuel hose	X			
2	161421007	Tubo benzina	Fuel hose	X			
3	090921009	Staffa sensore	Fuel sensor bracket	X			
4	090921014	Tubo ritorno	Fuel Hose	X			
5	090921015	Tubo mandata	Fuel Hose	X			
6	SPT083655L	Raccordo rapido femmina	Quick coupling socket	X			
7	SPT087655L	Raccordo rapido maschio	Quick connector plug	X			
8	UNI7380-M8X18	vite TB	SHBS screw			X	
9	UNI7380-M5X15	vite TB	SHBS screw			X	
10	DIN6927-M8ER	Dado flangiato autobloccante ER	Prevailing Torque Nut			X	
11	DIN6927-M5	Dado flangiato autobloccante	Prevailing Torque Nut			X	



24C - FUEL SYSTEM

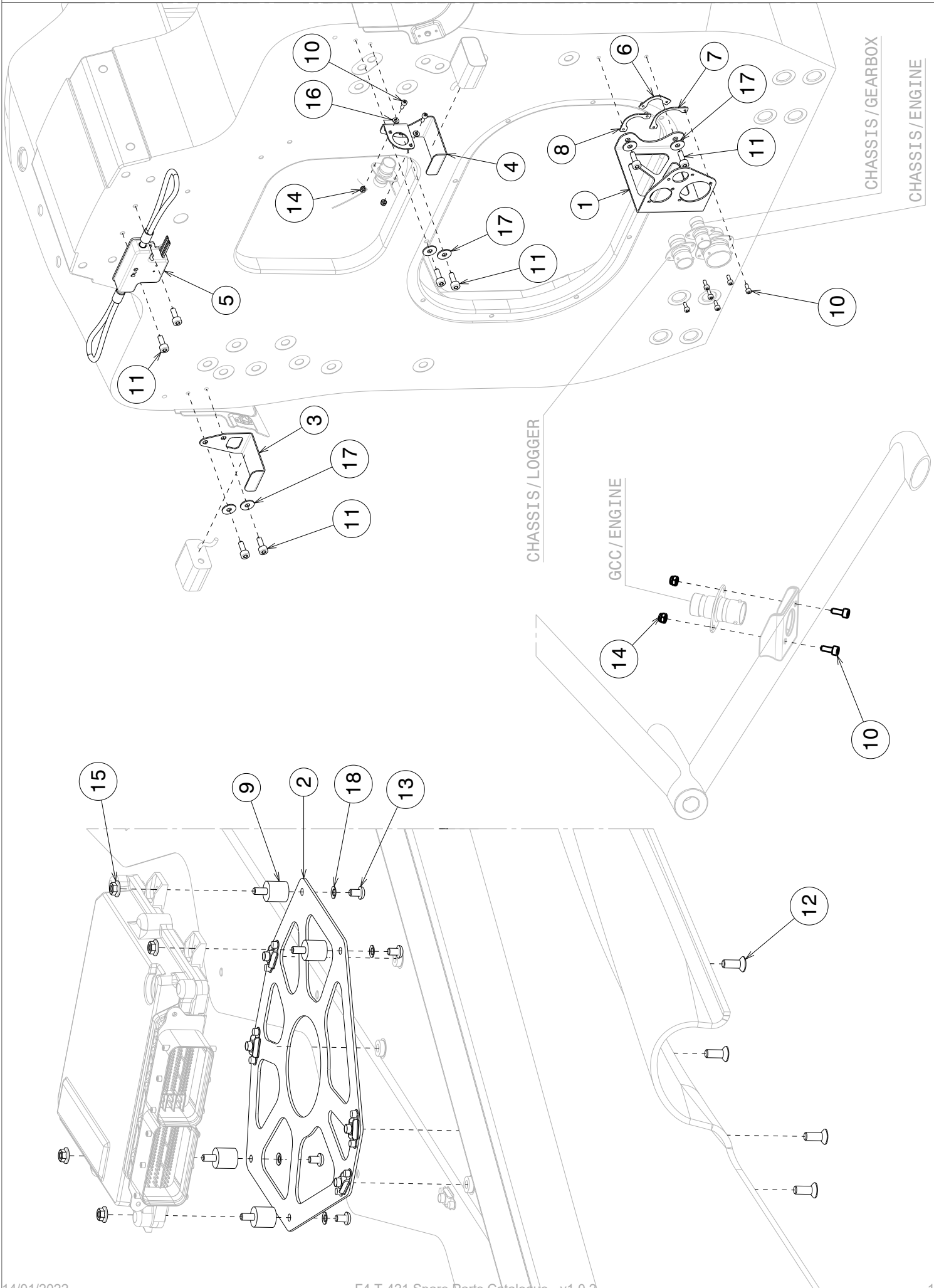
Item	Part Number	Descrizione	Description	1	2	3	Notes
1	71210012	Flangia pompa benzina	Fuel pump carrier	X			
2	3324012	Tubo mandata benzina	Fuel Hose Filter - Fuel Flange	X			
3	2424005	Tubo benzina: Flangia Benzina - Ritorno nourice	Fuel Hose: Fuel flange - Nourice return	X			
4	2425036	Cablaggio pompa benzina	Tank Loom	X			
5	080821019	Supporto pompa	Fuel pump stay	X			
6	0450905911	Filtro benzina	Fuel filter	X			
7	148M12M14	Adattatore M12-M14	M12-M14 adaptor			X	
8	30606M14	Adattatore 9/16X18-M14X1.5 - MM	Adaptor 9/16X18-M14x1.5 - MM			X	
9	313011300079	Pompa benzina	Fuel pump	X			
10	AST-06	K-nut	K-nut			X	
11	AST-05	K-nut	K-nut			X	
12	RR1218	Rondella di rame	Copper washer			X	
13	RR1420	Rondella di Rame	Copper washer			X	
14	UNI6592-6	Rondella piana	Plain washer			X	
15	UNI6592-5	Rondella piana	Plain washer			X	



24D - REFUELLING MACHINE BREATHER

Item	Part Number	Descrizione	Description	1	2	3	Notes
0	2424019	Assieme sfiato per macchina benzina	Refuelling machine breather assy				
1	2424008	Tubo sfiato quick refuel	Breather hose, quick refuel system		X		•
2	2424014	Adattore dash 6	Dash 6 adaptor		X		•
3	ADMF-06X20-06X8	Adattatore	Adaptor		X		•
4	SPT087655L	Raccordo a sgancio rapido	Quick disconnect coupler		X		•
5	AN92406	Dado esagonale	Hexagon nut		X		•
6	77606D	Banjo #6	Banjo adaptor #6		X		•
	77606M14	Banjo #6	Banjo adaptor #6		X		•
7	RR1420	Rondella di Rame	Copper washer		X		•

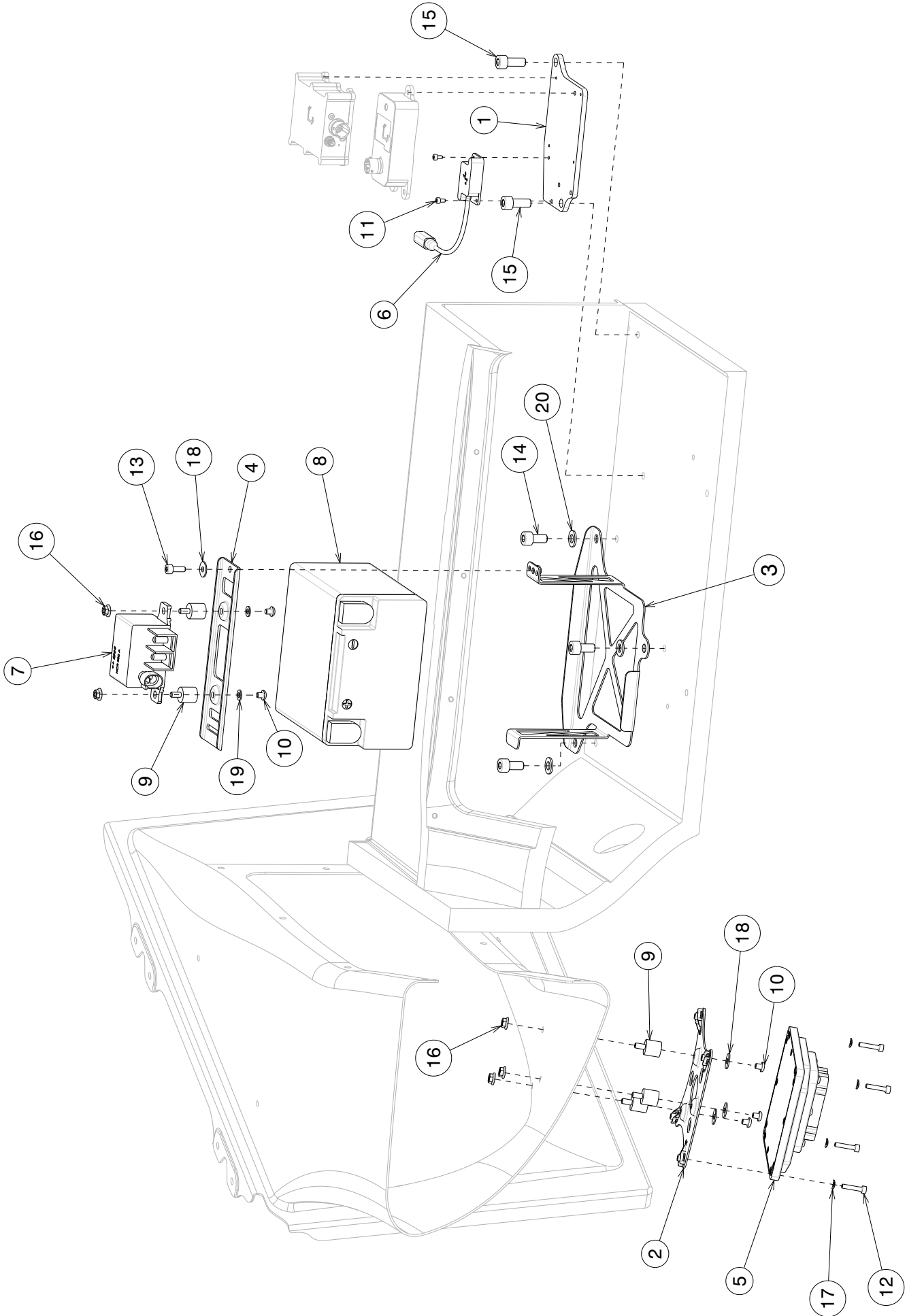
- #1 2424008 Optional item, may be removed.
- #2 2424014 Optional item, may be removed.
- #3 ADMF-06X20-06X8 Optional item, may be removed.
- #4 SPT087655L Optional item, may be removed.
- #5 AN92406 Optional item, may be removed.
- #6 77606D Optional item, may be removed. Alternative to pn.77606M14.
- 77606M14 Optional item, may be removed. Alternative to pn.77606D.
- #7 RR1420 Optional item, may be removed.



25A - ELECTRIC

Item	Part Number	Descrizione	Description	1	2	3	Notes
1	3325017	Supporto Connettori	Connectors Carrier	X			
2	3325060	Assieme Supporto ECU	ECU Carrier	X			
3	2425007	Piastrina Beacon Sx	Lh Beacon Carrier		X		•
4	2425008	Piastrina Beacon Dx + COM	Rh Beacon + COM Carrier	X			
5	3325062	Marshall switch	Marshall switch	X			
6	ATM39610	Nutplate	Nutplate			X	
7	ATM39618	Nutplate	Nutplate			X	
8	ATM39612	Nutplate	Nutplate			X	
9	PUFM515X15MF	Puffer	AV bushing			X	
10	UNI5931-M3X8	vite TC	SHCS screw			X	
11	UNI5931-M5X14	vite TC	SHCS screw			X	•
12	UNI5933-TX-M6X16	Vite TS Torx	SHCSH Torx Screw			X	
13	UNI7380-M5X8	Vite TB	SHBS screw			X	
14	UNI7473-M3	k-nut	k-nut			X	
15	DIN6927-M5	Dado flangiato autofrenante	K-lock			X	
16	UNI6592-3	Rondella piana	Plain washer			X	
17	UNI6593-5x15	Rondella larga	Large washer			X	•
18	RZS5	Rondella zigrinata	Safety washer			X	

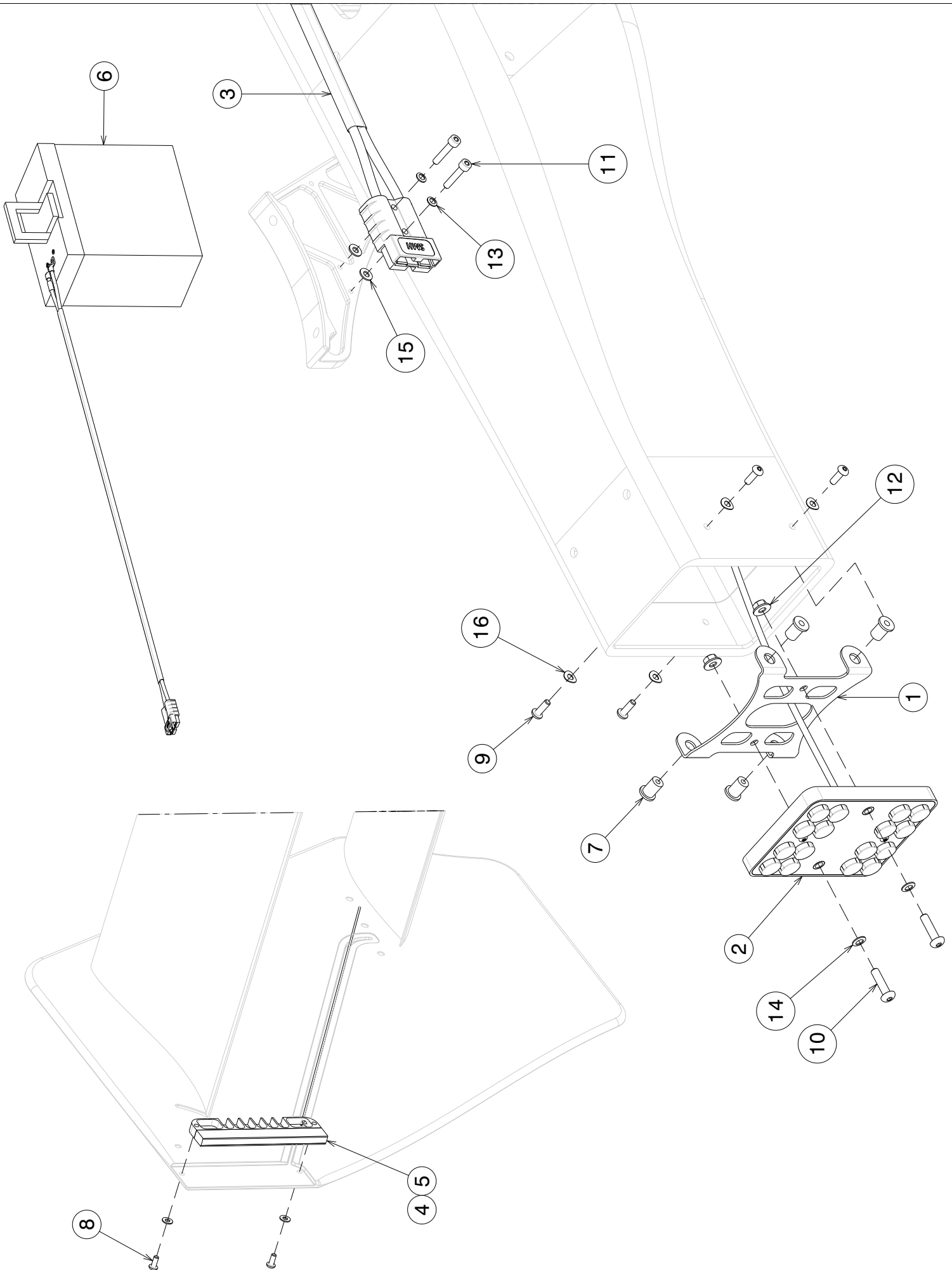
- #3 2425007 Optional item, may be removed
 #11 UNI5931-M5X14 Optional item, may be removed
 #17 UNI6593-5x15 Optional item, may be removed



25B - ELECTRIC

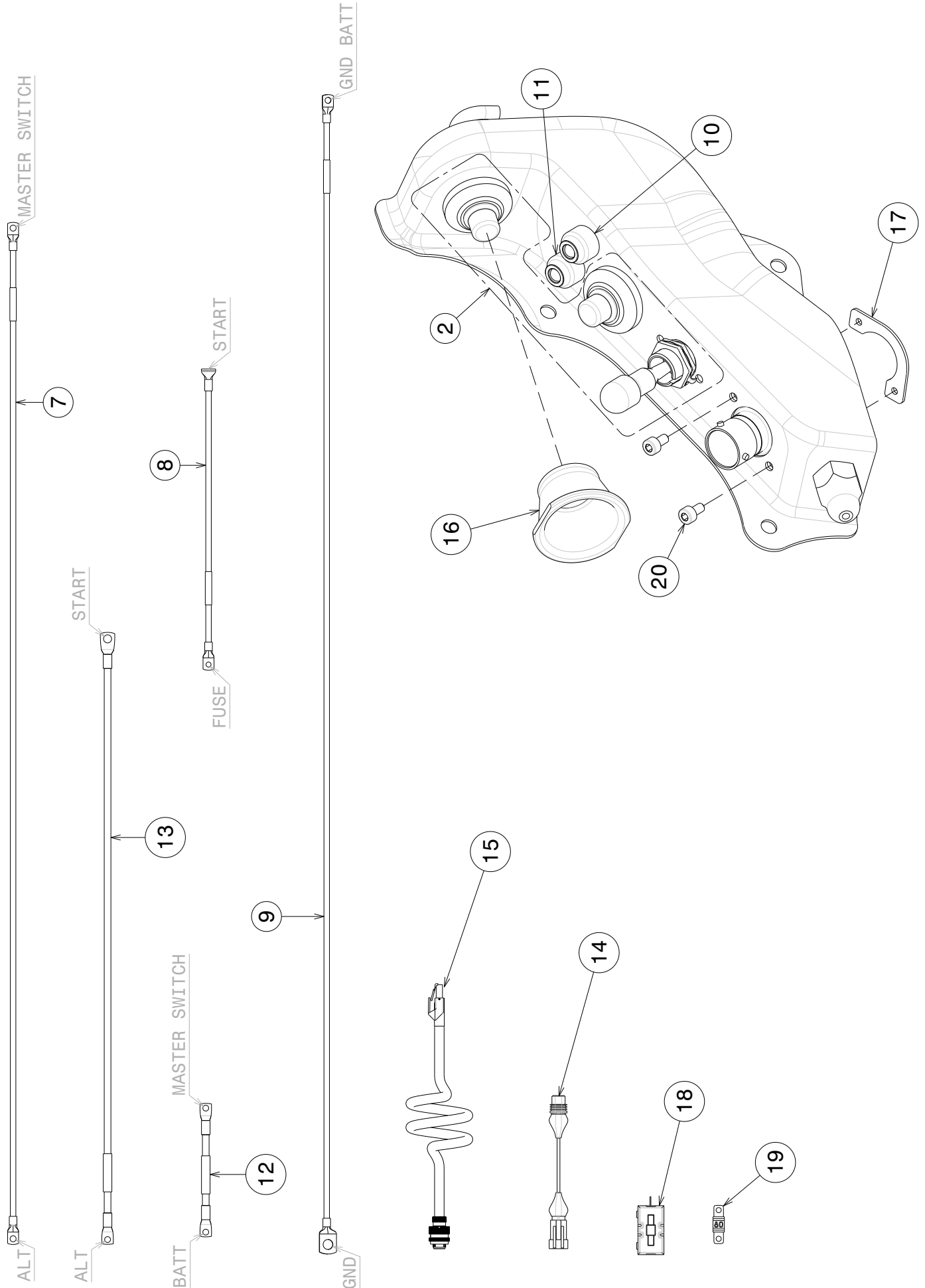
Item	Part Number	Descrizione	Description	1	2	3	Notes
1	3325003	Piastra ADR	ADR Carrier		X		•
2	3325020	Fissaggio Powerbox	Powerbox Carrier	X			
3	3325050	Supporto batteria	Battery Carrier	X			
4	3325051	Fermo batteria	Battery Holder	X			
5	3325061	Powerbox PSD16	PSD16 Powerbox	X			
6	3326004	Accelerometro	Accelerometer		X		•
7	TYCO-HCR-300-A	Master Switch	Master Switch	X			
8	MB14L	Batteria Megalife	Battery	X			
9	PUFM515X15MF	Puffer	AV bushing			X	
10	UNI7380-M5X6	Vite TB	SHBS screw			X	
11	UNI5931-M3X6	vite TC	SHCS screw			X	•
12	UNI5931-M4X20	vite TC	SHCS screw			X	
13	UNI5931-M5X14	vite TC	SHCS screw			X	
14	UNI5931-M8X16	vite TC	SHCS screw			X	
15	UNI5931-M8X20	vite TC	SHCS screw			X	•
16	DIN6927-M5	Dado flangiato autofrenante	K-lock			X	
17	UNI8840B-4	Rondella ondulata	Crinkle washer			X	
18	UNI6593-5x15	Rondella larga	Large washer			X	
19	UNI6592-5	Rondella piana	Plain washer			X	
20	UNI6592-8	Rondella piana	Plain washer			X	

- #1 3325003 Optional item, may be removed
 #6 3326004 Optional item, may be removed
 #11 UNI5931-M4X20 Optional item, may be removed
 #15 UNI5931-M5X14 Optional item, may be removed



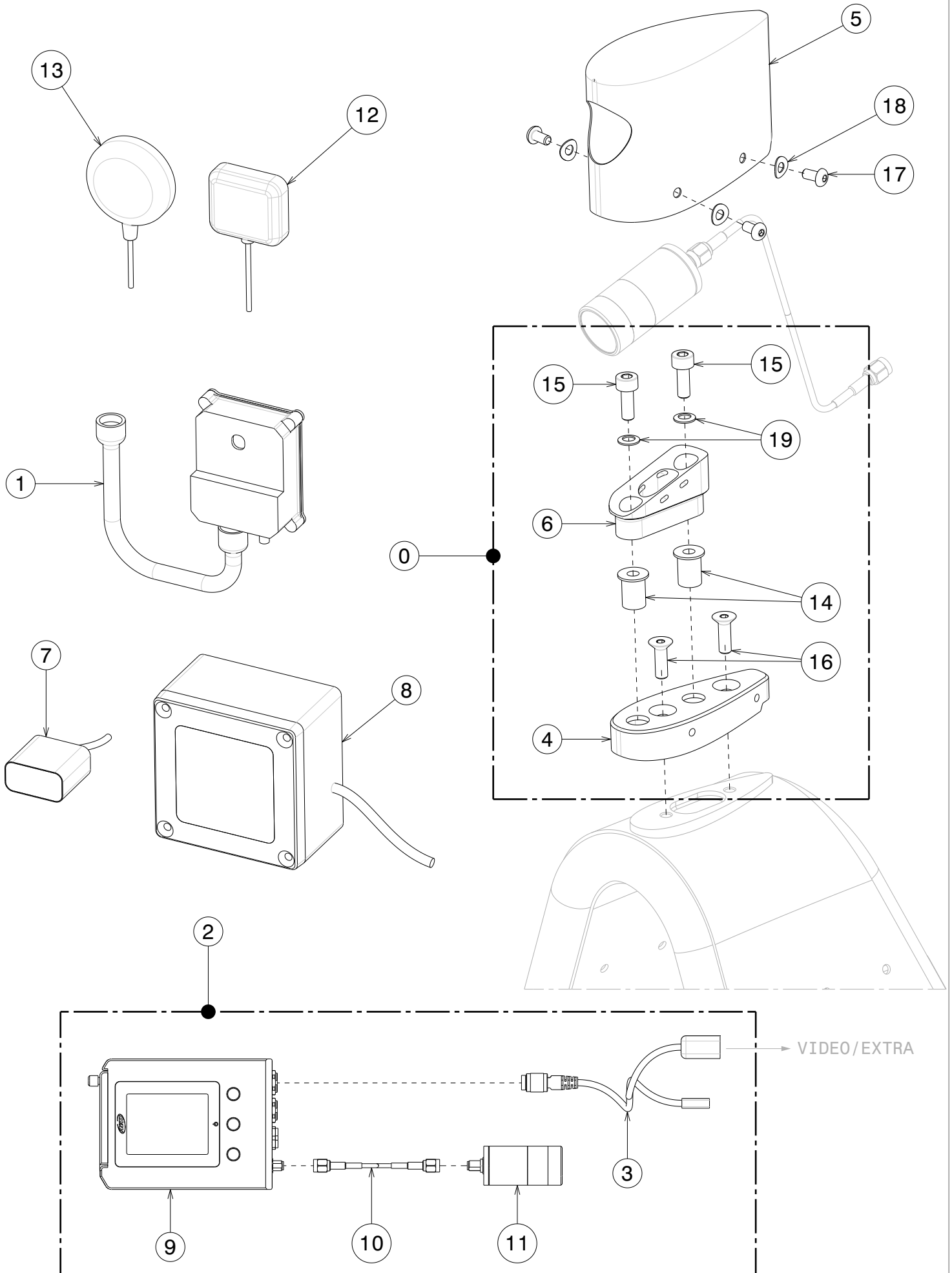
25C - ELECTRIC

Item	Part Number	Descrizione	Description	1	2	3	Notes
1	3325005	Supporto Rainlight	Rainlight Bracket	X			
2	3325007	Rainlight	Rainlight	X			
3	3325043	Cablaggio Jump Battery (ROSSO)	Jump Battery Loom (RED)	X			
4	3325058	Tail-light DX	RH Tail-light	X			
5	3325059	Tail-light SX	LH Tail-light	X			
6	3325064	Assieme Jump Battery cablata	Jump Battery Assy				
	3325065	Caricabatterie per Jump Battery	Jump Battery Charger				
7	E0790410	Rivetto antivibrante	AV rivet			X	
8	UNI7380-M4X10	Vite TB	SHBS screw			X	
9	UNI7380-M4X12	Vite TB	SHBS screw			X	
10	UNI7380-M5X20	vite TB	SHBS screw			X	
11	UNI5931-M4X20	vite TC	SHCS screw			X	
12	DIN6927-M5	Dado flangiato autofrenante	K-lock			X	
13	RZS4	Rondella zigrinata	Safety washer			X	
14	RZS5	Rondella zigrinata	Safety washer			X	
15	UNI6592-4	Rondella piana	Plain washer			X	
16	UNI8840B-4	Rondella ondulata	Crinkle washer			X	



25D - ELECTRIC

Item	Part Number	Descrizione	Description	1	2	3	Notes
1	3325030	Cablaggio telaio	Chassis loom	X			
2	3325031	Cablaggio pannello strumenti	Driver panel loom	X			
3	3325032	Cablaggio cambio	Gearbox loom	X			
4	3325033	Cablaggio GCC	GCC Loom	X			
5	3325035	Cablaggio AN spare	AN spare loom	X			
6	3325036	Terminazione CAN	CAN plug	X			
7	3325040	+1060 D6-D6	+1060 D6-D6	X			
8	3325041	+310 D8-D5	+310 D8-D5	X			
9	3325042	-1200 D6-D10	- 1200 D6-D10	X			
10	2425027	LED Rosso	Red LED	X			
11	2425028	LED Verde	Green LED	X			
12	211618019	+130 D6D6	+130 D6D6	X			
13	161418021	+ALT/START	+ALT/START	X			
14	161518035	Diodo Master Switch	Master Switch Diode	X			
15	101018036	Cavo Scarico Dati	Download Loom	X			
16	080601038	Bicchierino pulsante	Button protection	X			
17	ATM39610	Nutplate	Nutplate			X	
18	04980900ZXT	Portafusibile	Fuse Holder	X			
19	0498080	Fusibile 80A	80A Fuse	X			
20	UNI5931-M3X6	vite TC	SHCS screw			X	



26 - DATA SYSTEMS

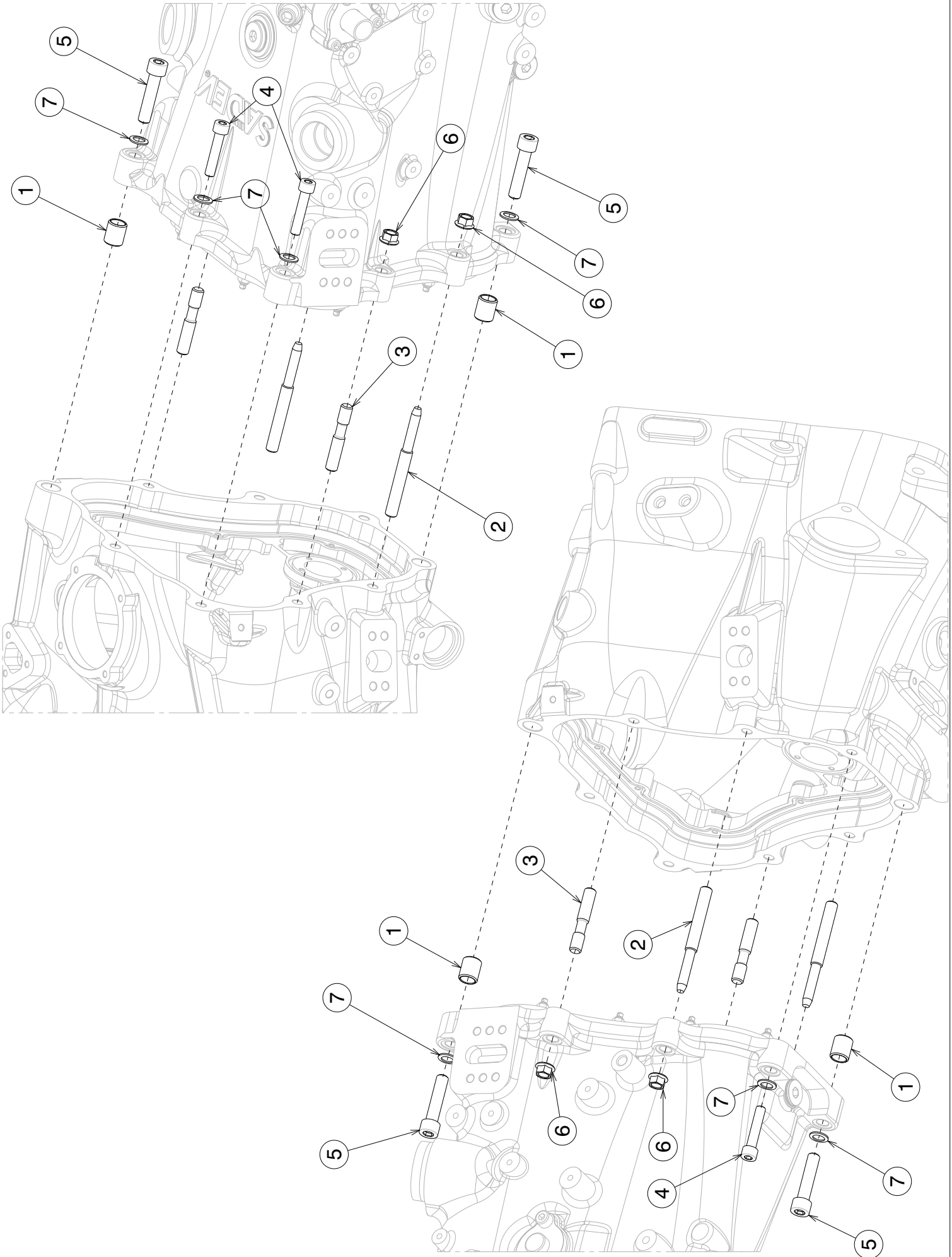
Item	Part Number	Descrizione	Description	1	2	3	Notes
0	2426003	Kit Supporto Telecamera	Camera Support Kit				
1	3326006	GPS 10Hz	GPS 10Hz		X		•
2	3326008	Kit Videocamera	Camera Kit				
3	3325034	Adattatore CAN Videocamera	CAN Junction	X			
4	2426003001	Base supporto telecamera	Camera support base	X			
5	2426007	Carenatura Telecamera	Camera Cover	X			
6	2426003003	Supporto telecamera	Camera support	X			
7	2426004	Beacon RX	IR Lap Trigger Receiver				
8	2426005	Beacon TX	IR Lap Trigger Transmitter				
9	XSMGPHD22	Unità di registrazione SmartyCam GP HD 2.2	SmartyCam GP HD 2.2 Recorder	X			
10	V02566980	Cavo LSC (2m)	LSC Cable (2m)	X			
11	XSMGPBCHD2284	Bullet cam (ottica 84°)	Bullet cam (84° lens)	X			
12	MAG1575GPS	Antenna GPS Standard	Standard GPS Antenna		X		•
13	TW2410GPS	Antenna GPS High Gain	High Gain GPS Antenna		X		•
14	E0960515	Rivetto antivibrante	AV rivet			X	
15	UNI5931-M5X14	vite TC	SHCS screw			X	
16	UNI5933-M5X16	vite TS	SHCSH screw			X	
17	UNI7380-M4X8	Vite TB	SHBS screw			X	
18	UNI8840B-4	Rondella ondulata	Crinkle washer			X	
19	RZS5	Rondella zigrinata	Safety washer			X	

#1 3326006 Optional item, may be removed

#5 2426007 Can be repaired over a surface enclosed in a 20x20mm area.

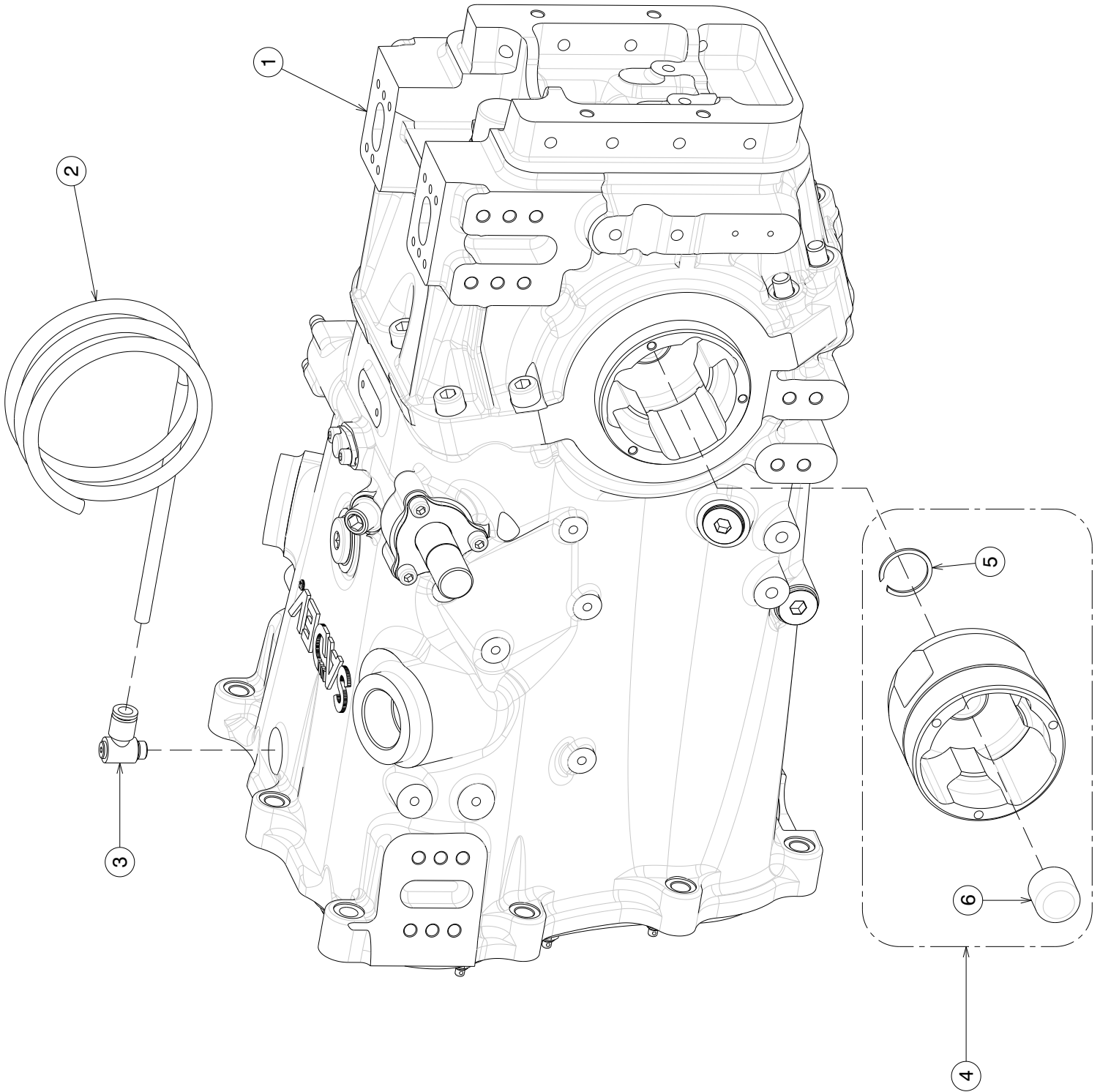
#12 MAG1575GPS Optional item, may be removed

#13 TW2410GPS Optional item, may be removed



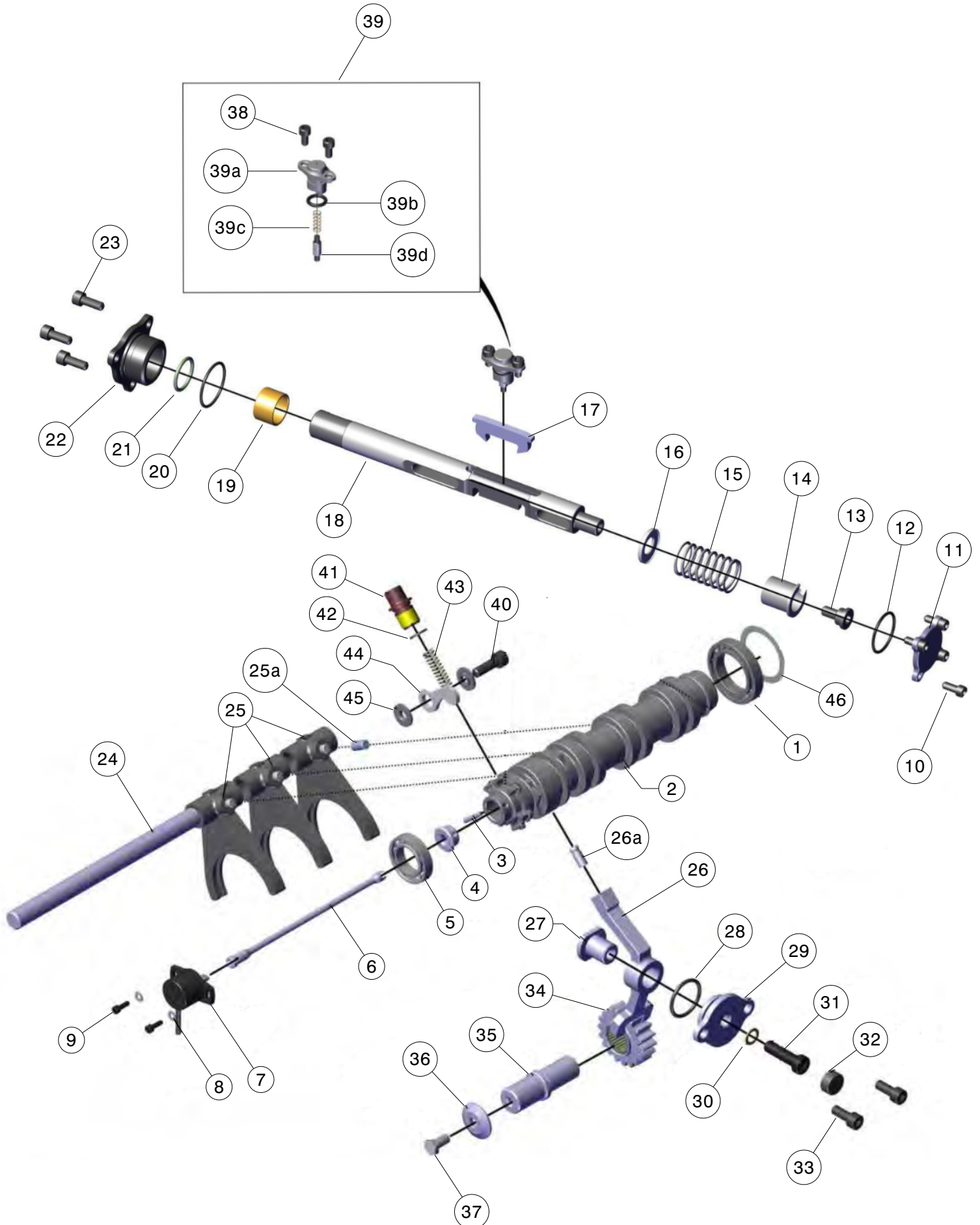
30A - GEARBOX INSTALLATION

Item	Part Number	Descrizione	Description	1	2	3	Notes
1	F1904109	Bussola di guida	Drill bush	X			
2	F9047012	Prigioniero	Stud	X			
3	F9047009	Prigioniero	Stud	X			
4	UNI5931-M8X40	vite TC	SHCS screw			X	
5	UNI5931-M10X45	vite TC	SHCS screw			X	
6	AST-10X1,25	K-nut	K-nut			X	
7	RZS10	Rondella zigrinata	Safety washer			X	



30B - GEARBOX

Item	Part Number	Descrizione	Description	1	2	3	Notes
1	3330001	Gearbox	Gearbox				
2	2430010	Tubo elastolan ø8x6 L1000	Elastolan hose ø8x6 L1000			X	
3	AG5000000008	Raccordo 50000 10 3/8	Fitting			X	
4	F90473001	Sede Tripode	Tripod housing	X			
5	F9043319	Anello	Ring	X			
6	F1910706	Stop semiasse	Drive shaft stop	X			



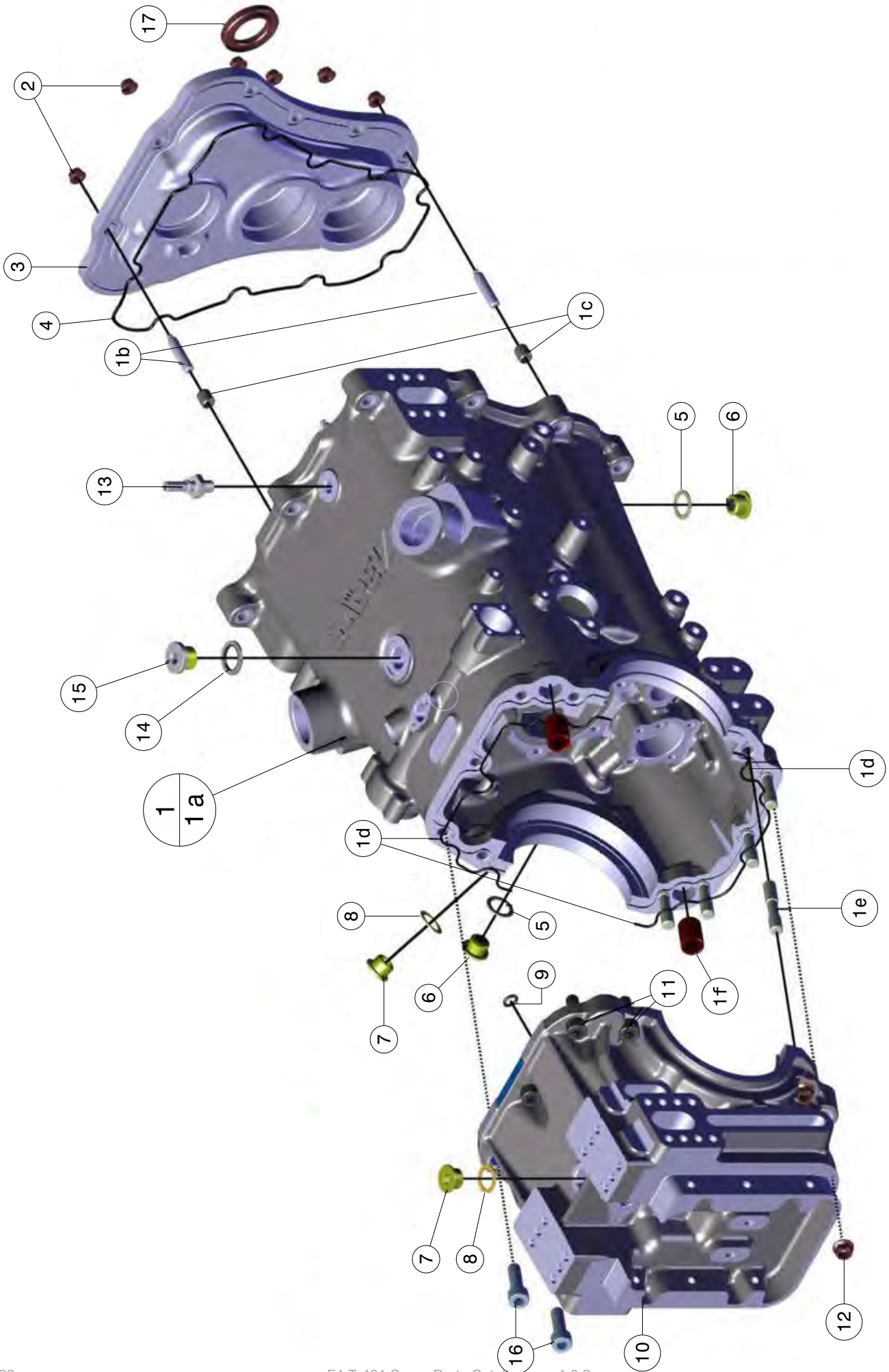
30C - GEARBOX

Item	Part Number	Descrizione	Description	1	2	3	Notes
1	0101088	Cuscinetto 61907	61907 Bearing	X			
2	F9072400	Tamburo selettore	Barrel	X			
3	F9072404	Albero	Axle	X			
4	F9072403	Guida albero potenziometro	Potentiometer axis guide	X			
5	0101128	Cuscinetto 61905	61905 Bearing	X			
6	F9072402	Albero potenziometro rotativo	Potentiometer axle	X			
7	F0089047	Potenziometro rotativo	Rotary sensor	X			
8	0502023	Rondella	M4 plate washer			X	
9	0301425	Vite CHC M4x12 cl 12.9	CHC M4x12 cl 12.9 Bolt			X	
10	0301138	Vite CHC M5x12 cl 10.9	CHC M5x12 cl 10.9 Bolt			X	
11	F1910406	Tappo di chiusura	Closing plate	X			
12	0201021	Φ 26x2 O'ring	Φ 26x2 O'ring			X	
13	F0059021	Vite selettore	Shoulder screw	X			
14	F0059022	Boccola selettore	Selector bushing	X			
15	0801027	Molla 2 x 23,8 x 60	2 x 23,8 x 60 Spring	X			
16	F9003667	Rondella	Selector washer	X			
17	F0059040	Trascinatore selezione	Dual pin rock	X			
18	F9072401	Albero selettore	Axle selector	X			
19	1202004	Boccola a strisciamento	EGB2015-E40 Permaglilide bushing	X			
20	0201164	Φ 29x2 O'ring	Φ 29x2 O'ring			X	
21	0201004	Φ 20x2,5 O'ring	Φ 20x2,5 O'ring			X	
22	F0085120	Blocco chiusura selettore	Selector closing block	X			
23	0301422	Vite CHC M6x16 cl 10.9	CHC M6x16 cl 10.9 Bolt			X	
24	F0085103	Albero forcelle	Fork axle	X			
25	F00851001	Assieme forcelle	Forks assembly	X			
25a	F0077120	Pin forcella	Selector retriever	X			
26	F00851011	Bilanciere retromarcia completo	Complete reverse gear rocker	X			
26a	F0077108	Pin retromarcia	Reverse gear pin	X			
27	F0085111	Dado retromarcia	Reverse gear bolt	X			
28	0201104	Φ 29x3 O'ring	Φ 29x3 O'ring			X	
29	F0085123	Guida bilanciere	Rocker guide	X			
30	0599017	Rondella di rame 10,2 x 15 x1	10,2 x 15 x 1 Copper washer			X	
31	0304006	Vite CZHC M10x35 cl 10.9	CZHC M10x35 cl 10.9 Bolt			X	
32	F0085228	Copertura vite	Bolt hat	X			
33	0301421	Vite CHC M8x20 cl 8.8	CHC M8x20 cl 8.8 Bolt			X	
34	F00850091	Assieme retromarcia	Reverse gear assembly	X			
35	F0085126	Albero retromarcia	Reverse gear axle	X			
36	F0085127	Rondella	Reverse gear washer	X			
37	F0085135	Vite	Reverse gear screw	X			
38	0301513	Vite CHC M5x10 cl 10.9	CHC M5x10 cl 10.9 Bolt			X	
39	F14044032	Assieme meccanismo precarico trascinatore	Pusher guide assembly				
39a	F14044032	Meccanismo precarico trascinatore	Pusher guide	X			
39b	0201017	Φ 10x2,5 O'ring	Φ 10x2,5 O'ring			X	
39c	0801026	Molla precarico 0,6 x 5,5 x 15,5	0,6 x 5,5 x 15,5 Spring	X			
39d	F9049071	Pin	Pin	X			
40	0301169	Vite CHC M8x25 cl 10.9	CHC M8x25 cl 10.9 Bolt			X	
41	F9053411	Vite indexatore	Indexor screw	X			
42	0202079	Φ 14x1,5 Viton O'ring	Φ 14x1,5 Viton O'ring			X	
43	0801046	Molla 1,5 x 9,7 x 47	1,5 x 9,7 x 47 Spring	X			
44	F9050407	Bilanciere indexatore	Indexor rocker	X			
45	F9050408	Boccola	Shoulder bushing	X		X	
46	0599103	Rondella Φ54,5 x 48 x 0,05	Φ54,5 x 48 x 0,05 Washer		X		•
	0599104	Rondella Φ54,5 x 48 x 0,10	Φ54,5 x 48 x 0,10 Washer		X		•
	0599105	Rondella Φ54,5 x 48 x 0,20	Φ54,5 x 48 x 0,20 Washer		X		•

#46 0599103
0599104
0599105

Optional item, may be stacked or removed. Refer to Gearbox Manual for prescriptions.
Optional item, may be stacked or removed. Refer to Gearbox Manual for prescriptions.
Optional item, may be stacked or removed. Refer to Gearbox Manual for prescriptions.

30D - GEARBOX



30D - GEARBOX

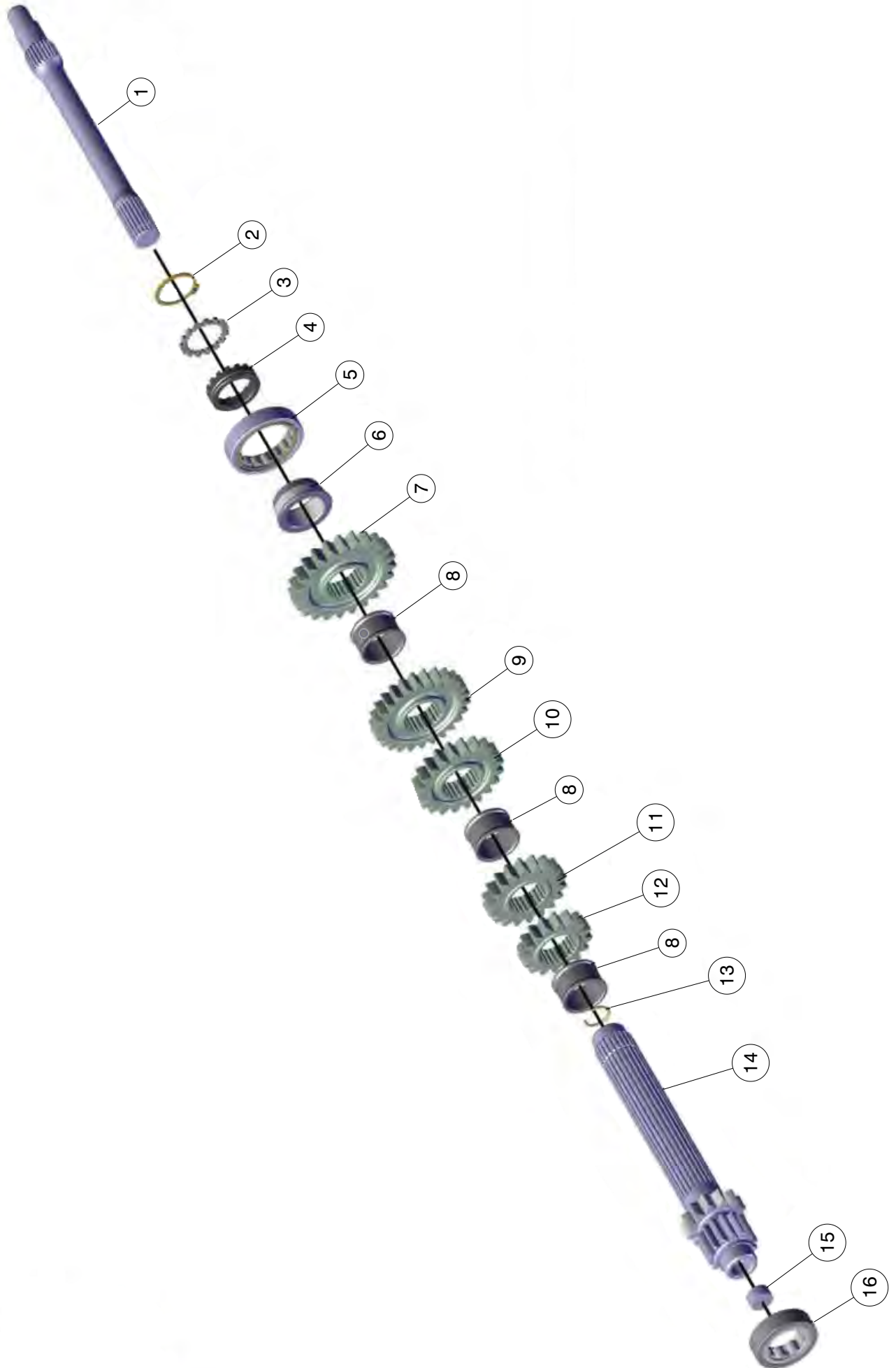
Item	Part Number	Descrizione	Description	1	2	3	Notes
1	F90720101	Scatola cambio completa	Main housing assembly		X		•
	F9072010	Scatola cambio + scatola cuscinetto e albero retromarcia	Main housing + bearing casing and reverse axle	X			
1a	F9057000	Scatola cuscinetto	Bearing casing	X			
	F0085126	Albero retromarcia	Reverse axle	X			
	F0085135	Dado retromarcia	Free wheel reverse gear nut	X			
	F0085127	Rondella albero retromarcia	Reverse shaft washer	X			
1b	F9047008	Prigioniero piastra di chiusura	Stud closing plate	X			
1c	F9001922	Pin centraggio Φ 11x12	Φ 11x12 Center pin	X			
1d	0201110	Φ 200x3 O'ring	Φ 200x3 O'ring			X	
1e	F9047030	Prigioniero	Stud	X			
1f	F1904110	Pin centraggio Φ 18x26	Φ 18x26 Center pin	X			
2	0499003	Vite M8	M8 screw	X			
3	F9072005	Piastra di chiusura	Closing plate	X			
4	0201330	Φ 280x3 O'ring	Φ 280x3 O'ring			X	
5	5002018	Guarnizione tappo di scarico	Drain plug seal	X			
6	F1402028	Tappo di scarico	Drain plug	X			
7	F1402057	Tappo di scarico olio	Oil drain plug	X			
8	0599002	Rondella di rame 16,1x23x1	16,1x23x1 Copper washer			X	
9	0201014	Φ 8x2x5 O'ring	Φ 8x2x5 O'ring			X	
10	F9072007	Culatta cambio	Rear housing		X		•
11	0301525	Vite CHC M10x30 cl 12.9	CHC M10x30 cl 12.9 Bolt	X			
12	0499005	Dado M10	M10 pitch 125 Bolt	X			
13	F9022106	Raccordo di sfato	Venting fitting	X			
14	0599088	Rondella	BS-18 (18,7x27x2) Seal washer	X			
15	F9054053	Tappo olio M18x150	M18x150 Oil plug	X			
16	F1910022	Vite di chiusura CHC M10x30 cl 12.9	M10x30 cl 12.9 CHC Bolt "sealing"	X			
17	0204042	Guarnizione Viton Φ 28x47x7	Φ 28x47x7 Viton lip seal			X	

#1 F90720101

It is allowed to repair threads.

#10 F9072007

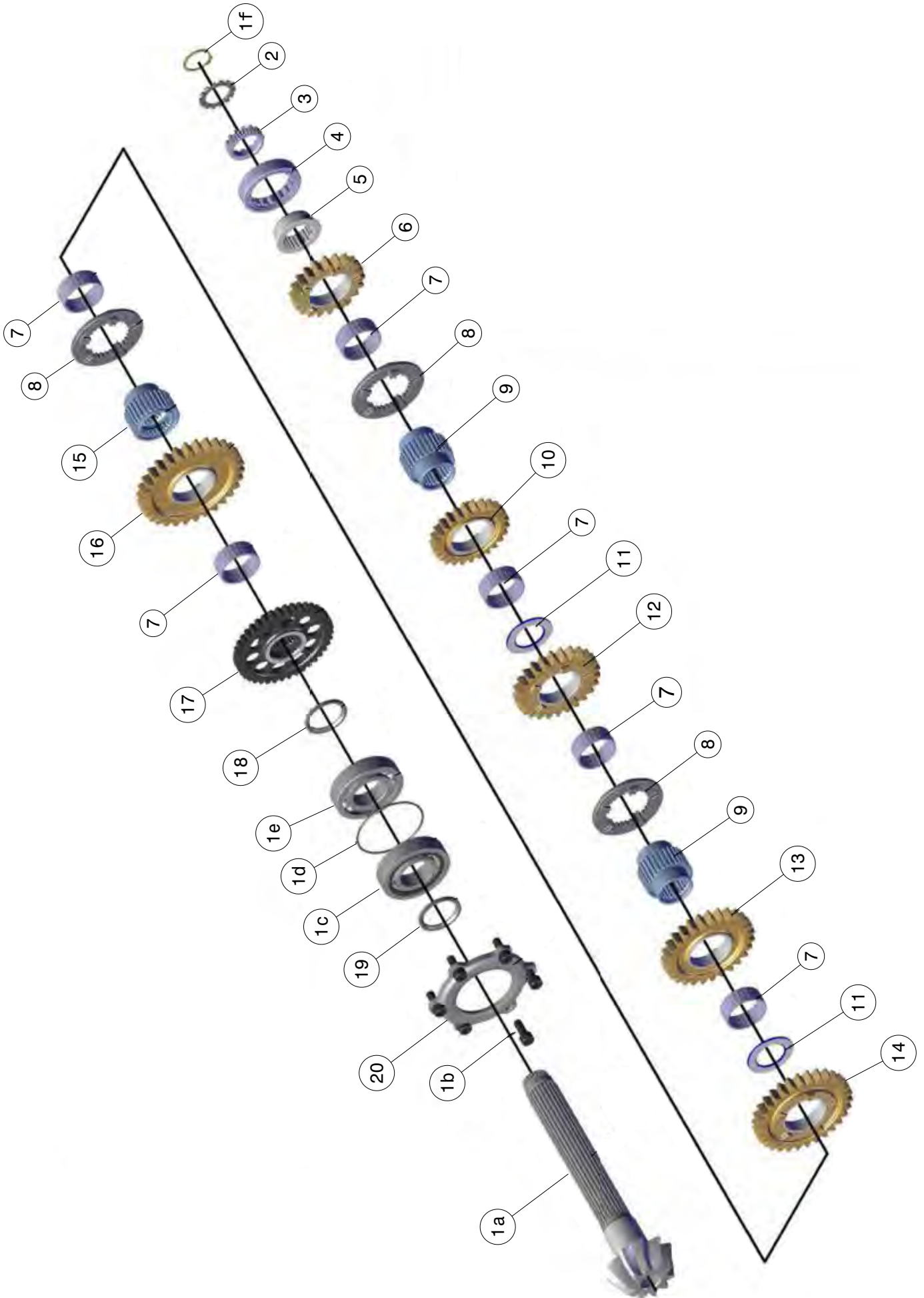
It is allowed to repair threads except the ones for safety devices (tether and crashbox fixations).



30E - GEARBOX

Item	Part Number	Descrizione	Description	1	2	3	Notes
1	F9072601	Albero frizione	Clutch shaft Tatuus	X			
2	0601008	Circlip Φ 32	Φ 32 Inner circlip	X			
3	F9072102	Ghiera antisvitamento	Nut stopping washer	X			
4	F1910108	Dado	Nut	X			
5	0103012	Cuscinetto NU 1007 ECP	NU 1007 ECP Bearing	X			
6	F9062103	Anello interno cuscinetto NU1007	NU 1007 ECP Inner bearing	X			
7	C7514N2320915F	Rapporto 6 ^o (23/20)	6th gear ratio (23/20)		X		•
	C7514N2120915F	Rapporto 6 ^o (21/20)	6th gear ratio (21/20)		X		•
8	F9062101	Distanziale albero primario	Primary shaft spacer	X			
9	C7514N2526915F	Rapporto 5 ^o (25/26)	5th gear ratio (25/26)		X		•
	C7514N2426915F	Rapporto 5 ^o (24/26)	5th gear ratio (24/26)		X		•
10	C7514N2025915F	Rapporto 4 ^o (20/25)	4th gear ratio (20/25)	X			
11	C7514N1827915F	Rapporto 3 ^o (18/27)	3th gear ratio (18/27)	X			
12	C7514N1630915F	Rapporto 2 ^o (16/30)	2th gear ratio (16/30)	X			
13	9908008	Anello seeger RB20	Seeger RB20 Snap ring	X			
14	J759072N01605F	Rapporto 1 ^o (12/30)	1th gear ratio (12/30)	X			
15	F9072103	Tappo primario	Plug	X			
16	0103015	Cuscinetto NU 304 ECP	NU 304 ECP Bearing	X			

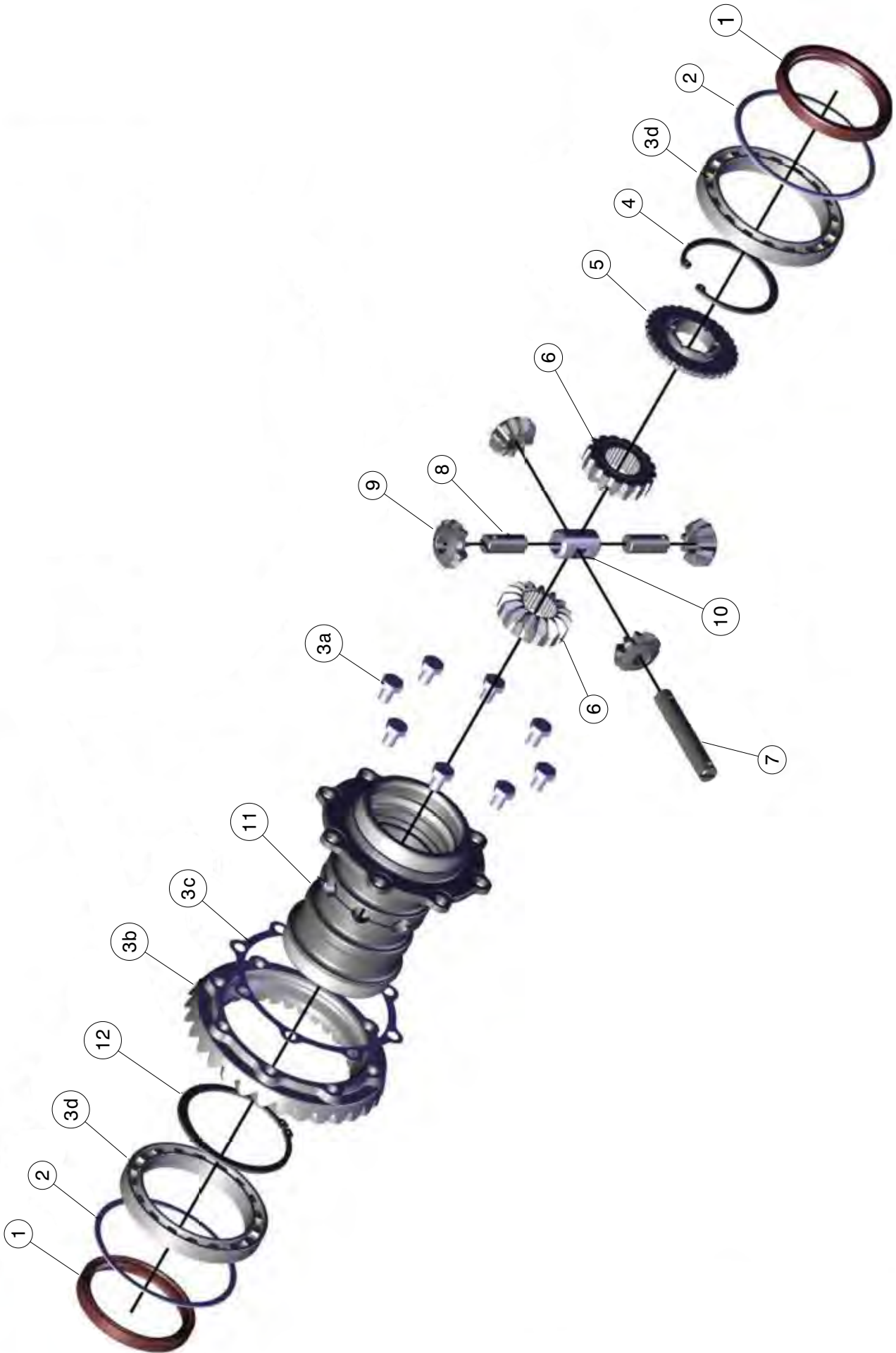
- #7 C7514N2320915F Alternative to gear ratio C7514N2120915F
 C7514N2120915F Alternative to gear ratio C7514N2320915F
- #9 C7514N2526915F Alternative to gear ratio C7514N2426915F
 C7514N2426915F Alternative to gear ratio C7514N2526915F



30F - GEARBOX

Item	Part Number	Descrizione	Description	1	2	3	Notes
1	CPL10319072011	Albero secondario completo	Final drive assembly (10x31) SLR75-14				
1a	F9072201	Albero secondario	Secondary shaft (10x31)	X			
1b	0301561	Vite CHC M8x18 cl 12.9	CHC M8x18 cl 12.9 HK Bolt	X			
1c	0103024	Cuscinetto NU 207 ECP	NU 207 ECP Bearing	X			
1d	0201222	Φ 68x2 O'ring	Φ 68x2 O'ring	X			
1e	F1910216	Cuscinetto QJ 207	QJ 207 Bearing	X			
1f	0601004	Circlip Φ 27	Φ 27 Outer circlip	X			
2	F9017066	Ghiera antisvitamento	Nut stopping washer	X			
3	F9072203	Dado albero secondario	Secondary nut	X			
4	0103012	Cuscinetto NU 1007 ECP	NU 1007 ECP Bearing	X			
5	F9062208	Anello interno cuscinetto NU 1007 ECP	NU 1007 Inner ring	X			
6	C7514N2320915F	Rapporto 6° (23/20)	6th gear ratio (23/20)		X		•
	C7514N2120915F	Rapporto 6° (21/20)	6th gear ratio (21/20)		X		•
7	0105043	Cuscinetto 38x43x17	38x43x17 Needle bearing	X			
8	F9062205	Dog ring	Dog ring	X			
9	F9062201	Mozzo dog ring	Dog ring hub	X			
10	C7514N2526915F	Rapporto 5° (25/26)	5th gear ratio (25/26)		X		•
	C7514N2426915F	Rapporto 5° (24/26)	5th gear ratio (24/26)		X		•
11	F9062206	Spessore	Shim		X		•
12	C7514N2025915F	Rapporto 4° (20/25)	4th gear ratio (20/25)	X			
13	C7514N1827915F	Rapporto 3° (18/27)	3th gear ratio (18/27)	X			
14	C7514N1630915F	Rapporto 2° (16/30)	2th gear ratio (16/30)	X			
15	F9072204	Mozzo dog ring	Dog ring hub	X			
16	J759072N01605F	Rapporto 1° (12/30)	1th gear ratio (12/30)	X			
17	F9072202	Retromarcia	Reverse gear	X			
18	F1910212	Spessore	Shim		X		•
19	F19102051	Kit spessori	Set of shim		X		•
20	F9072205	Flangia cuscinetto NU 207	NU 207 Flange	X			

- #6 C7514N2320915F Alternative to gear ratio C7514N2120915F
C7514N2120915F Alternative to gear ratio C7514N2320915F
- #10 C7514N2526915F Alternative to gear ratio C7514N2426915F
C7514N2426915F Alternative to gear ratio C7514N2526915F
- #11 F9062206 Number and stack of shim is free. Refer to Gearbox Manual for prescriptions.
- #18 F1910212 Number and stack of shim is free. Refer to Gearbox Manual for prescriptions.
- #19 F19102051 Number and stack of shim is free. Refer to Gearbox Manual for prescriptions.

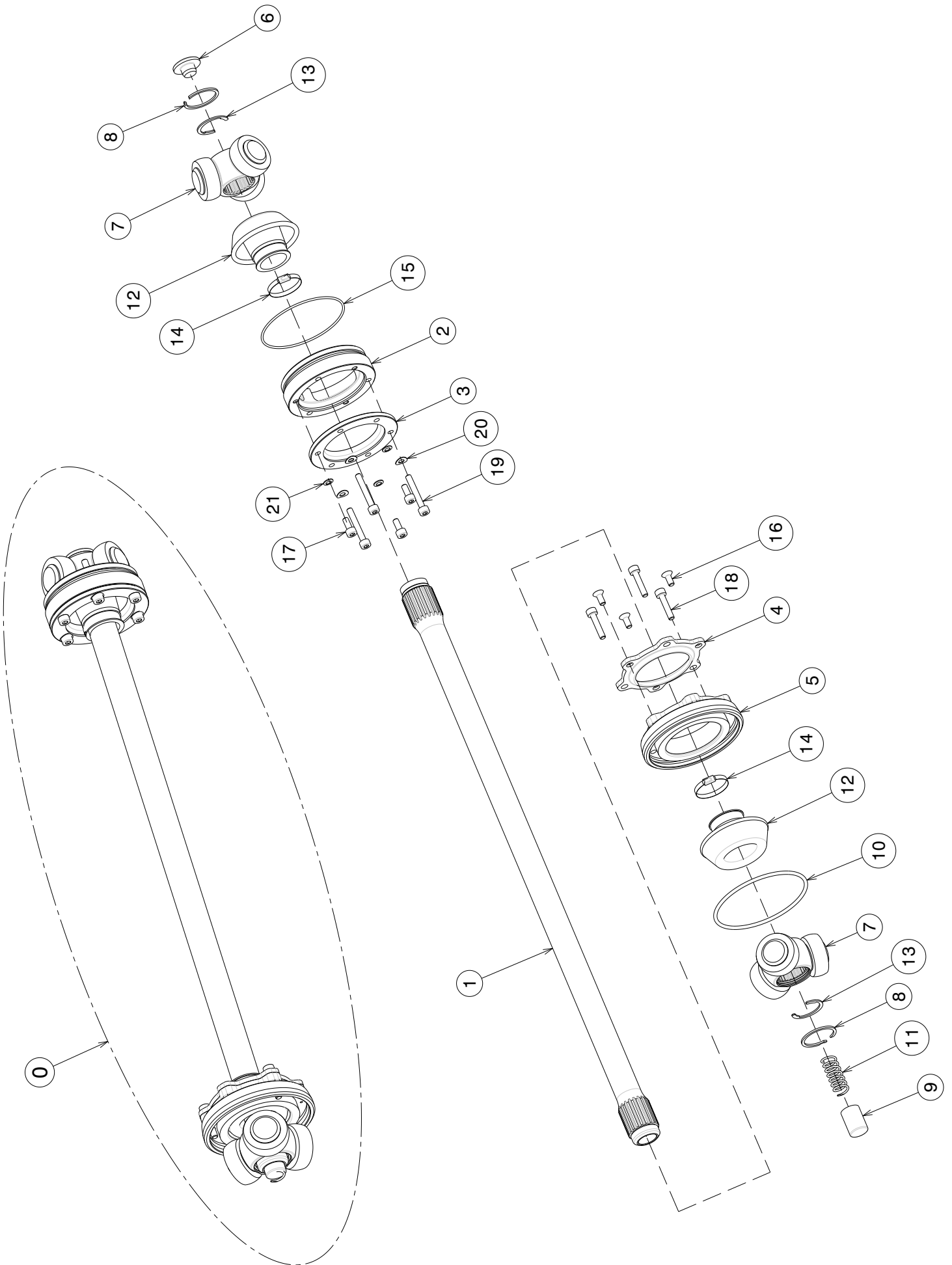


30G - GEARBOX

Item	Part Number	Descrizione	Description	1	2	3	Notes
1	0204041	Guarnizione Viton Φ 85x105x12	Φ 85x105x12 Viton lip seal	X			
2	F19103201	Kit spessori	Shim set		X		•
3	CPL10319072011	Coppia conica completa	Final drive assembly 10x31	X			
3a	F0085941	Vite fissaggio corona	Crown screw	X			
3b	F9072300	Corona 31 denti	Crown 31 teeth (10x31)	X			
3c	F9057304	Spessore EKAGRIP	EKAGRIP Shim	X			
3d	0101054	Cuscinetto SNR/AB12458	SNR/AB12458 Bearing	X			
4	F9047303	Circlip Φ 85	Φ 85 Inner Circlip	X			
5	F0085414	Tappo differenziale	Differential cap	X			
6	F1910310	Solare 16 denti	Sun gear 16 teeth	X			
7	F0044008	Albero differenziale	Axle	X			
8	F0044007	Semiassa differenziale	Half axle	X			
9	F0085416	Satellite	Planet gear	X			
10	F0044006	Mozzo	Hub	X			
11	F0085411	Scatola differenziale	Differential case	X			
12	0601040	Anello Seeger Φ 95x3	Φ 95x3 Seeger Circlip	X			

#2 F19103201

Number and stack of shim is free. Refer to Gearbox Manual for prescriptions.



31 - HALFSHAFT

Item	Part Number	Descrizione	Description	1	2	3	Notes
0	3331001	Semiasse completo	Driveshaft assy				
1	3331003	Semiasse	Drive shaft	X			
2	2431005	Portacuffia	Boot Support		X		•
3	2431006	Tappo portacuffia	Flange	X			
4	F1910702	Portacuffia	Boot support	X			
5	F1910705	Flangia	Flange		X		•
6	F9004710	Tappo Semiasse	Driveshaft cover	X			
7	F9024455	Tripode	Tripod	X			
8	F9024459	Anello Elastico	Retaining Ring			X	
9	F9024451	Pistone semiasse	Piston rod	X			
10	0201106	3x86 O-Ring	O-ring			X	
11	0801073	Molla precarico	Piston spring	X			
12	5099168	Cuffia	Boot	X			
13	9907022	Seeger	Circlip	X			
14	MLT45CP	Fascetta	Clamp			X	
15	ORV2300	O-Ring	O-Ring			X	
16	UNI5933-M5X12	vite TS	SHCSH screw			X	
17	UNI5931-M5X12	vite TC	SHCS screw			X	
18	UNI5931-M5X25	vite TC	SHCS screw			X	
19	UNI5931-M5X35	vite TC	SHCS screw			X	
20	UNI8840B-5	Rondella Ondulata	Krinkle Washer			X	
21	RZS5	Rondella zigrinata	Safety washer			X	

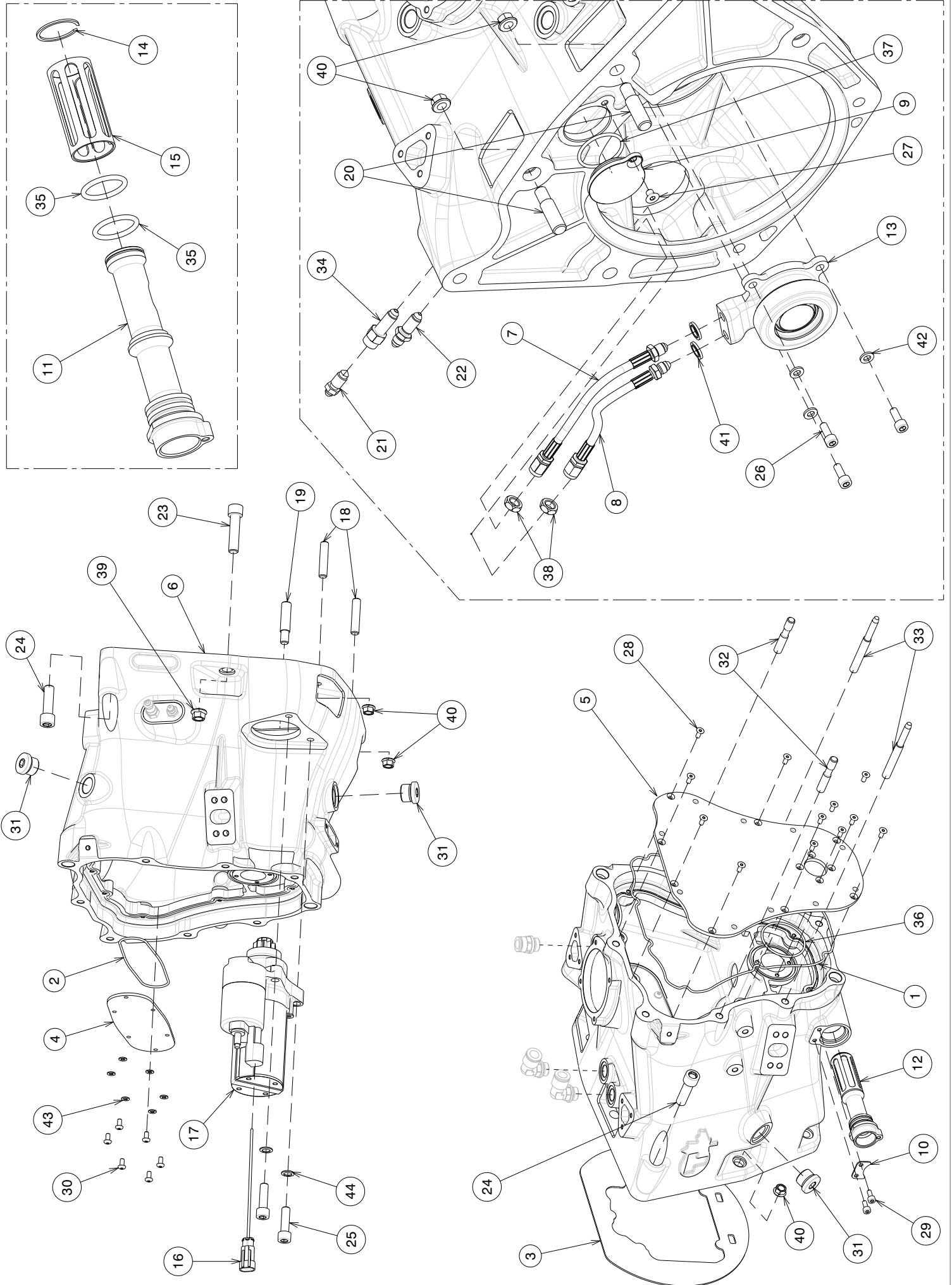
#2 2431005

It is allowed to repair threads.

#5 F1910705

It is allowed to repair threads.

40 A - ENGINE

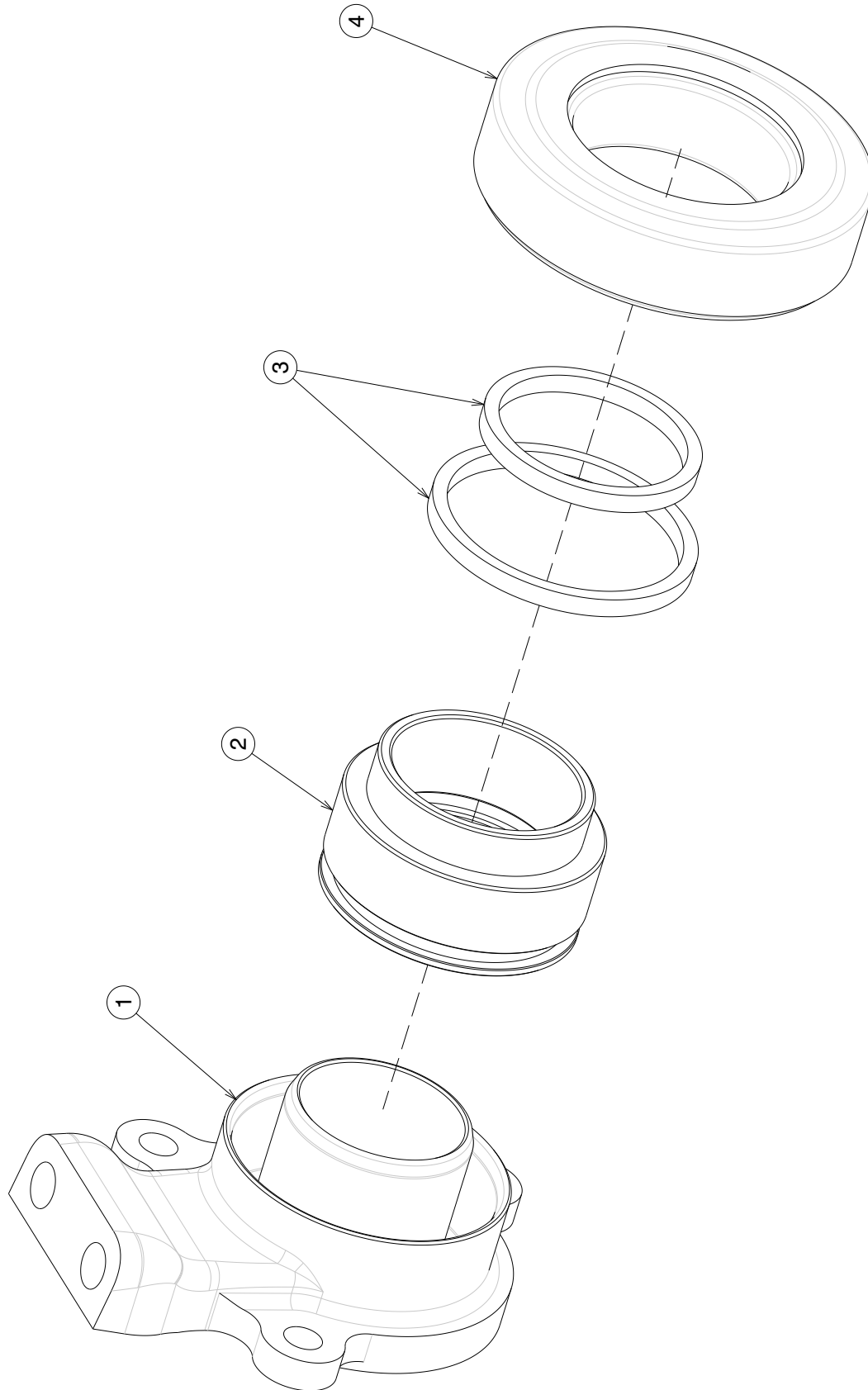


40A - ENGINE

Item	Part Number	Descrizione	Description	1	2	3	Notes
1	3340013	Corda O-ring 2.5 mm L848 mm	O-ring cord 2.5 mm L848 mm			X	
2	3340012	Corda O-ring 2.5 mm L 337 mm	O-ring cord 2.5 mm L 337 mm			X	
3	3340010	Carter protezione frizione	Flywheel protection				
4	3340009	Flangia chiusura Catch Tank	Catch Tank Closing Flange	X			
5	3340008	Flangia Chiusura Serbatoio Olio	Oil Tank Closing Plate	X			
6	3340002	Distanziale Motore - Cambio	Bellhousing		X		•
7	161422003	Tubo attuatore frizione	Slave cylinder hose	X			
8	211622017	Tubo attuatore frizione	Slave cylinder hose	X			
9	2440012	Flangia catch-tank	Catch-tank flange	X			
10	2740011	Flangia premifiltro	Filter lock flange	X			
11	2740009	Pescante olio	Suction screen fitting	X			
12	2740008	Assieme pescante olio	Suction screen fitting assy				
13	TAAP3859	Attuatore frizione Completo	Slave cylinder assy				
14	SW25	Seeger	Circlip			X	
15	F9024432	Filtro	Suction Screen	X			
16	161422018	Cavo motorino avviamento	Starter cable	X			
17	090924011	Motorino avviamento	Starter				
18	090922009	Prigioniero	Stud	X			
19	090922008	Prigioniero	Stud	X			
20	090922007	Prigioniero	Stud	X			
21	CP3720182	Vite spurgo 3/8 24UNF	Bleed bolt			X	
22	AN832-03	Raccordo passaparete #3	Bulkhead fitting #3			X	
23	UNI5931-M12X50	vite TC	SHCS screw			X	
24	UNI5931-M12X40	vite TC	SHCS screw			X	
25	UNI5931-M10X35x1.25	vite TC	SHCS screw			X	
26	UNI5931-M6X16	vite TC	SHCS screw			X	
27	UNI5933-M6X8	vite TS	SHCSH screw			X	
28	UNI5933-M5X12	vite TS	SHCSH screw			X	
29	UNI5931-M5X12	vite TC	SHCS screw			X	
30	UNI7380-M5X10	Vite TB	SHBS screw			X	
31	DIN3852-M22x1,5	Tappo Esagono Incassato	Hexagon Socket Plug			X	
32	F9047009	Prigioniero	Stud	X			
33	F9047012	Prigioniero	Stud	X			
34	ADMFO3x2003X8	Nipplo 3/8	Bleed nipple			X	
35	0201275	O-Ring 24x3	O-Ring			X	
36	ORN3212	O-ring	O-ring			X	
37	ORN3143	O-ring	O-ring			X	
38	ANSIB182265-3/8X24	Dado esagonale	Hexagon nut			X	
39	AST-12X1,75	K-nut	K-nut			X	
40	AST-10X1,5	K-nut	K-nut			X	
41	DW20A	Rondella Dowty 3/8	Dowty washer 3/8			X	
42	UNI6592-6	Rondella piana	Plain washer			X	
43	UNI6592-5	Rondella piana	Plain washer			X	
44	RZS10	Rondella zigrinata	Safety washer			X	

#6 3340002

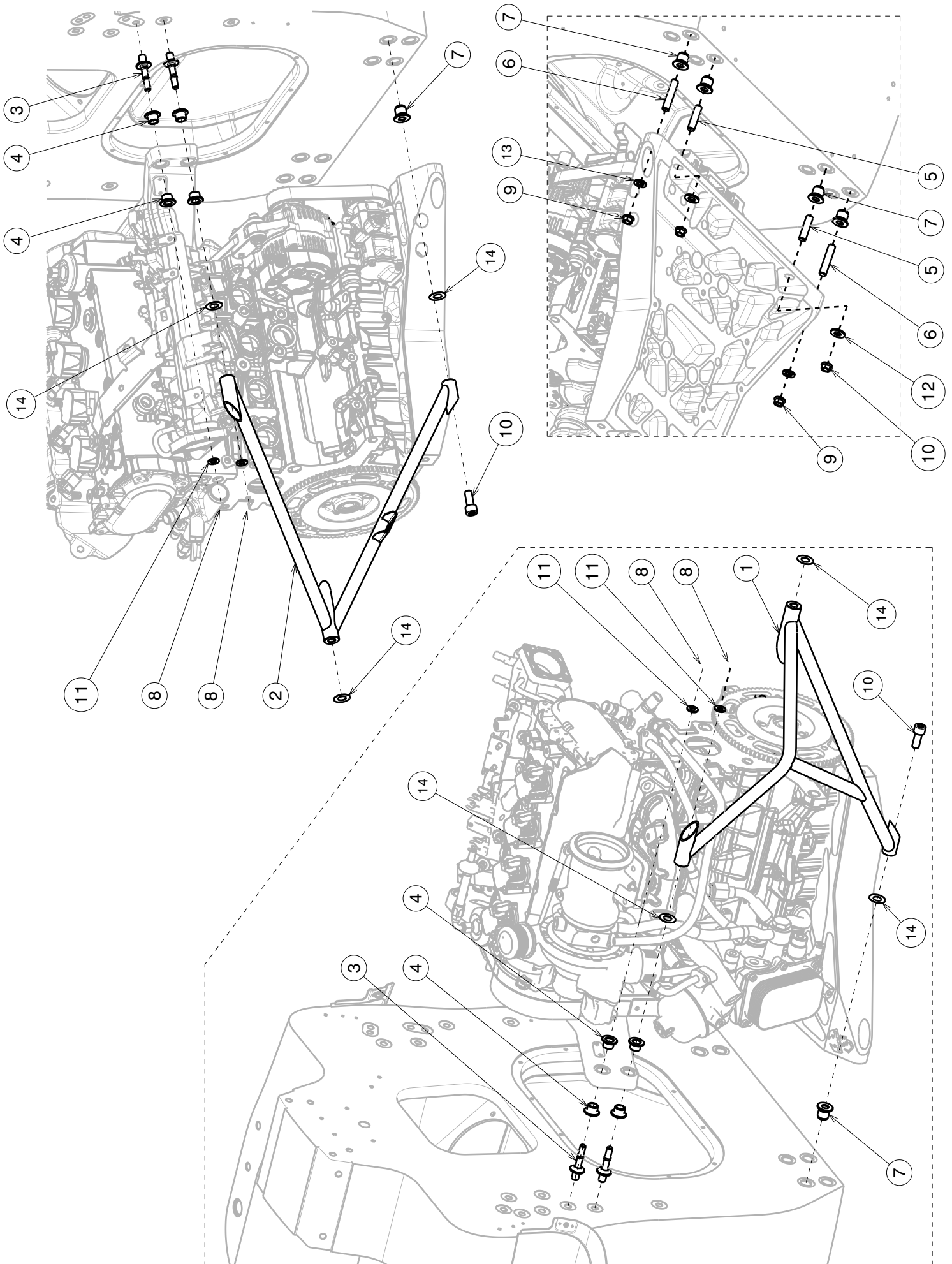
It is allowed to repair threads and local welding repair.



40B - ENGINE

Item	Part Number	Descrizione	Description	1	2	3	Notes
1	TAAP3859001	Corpo attuatore frizione	Slave Cylinder body	X			
2	TAAP3859002	Pistone attuatore frizione	Slave cylinder piston	X			
3	CP3759-3	Kit guarnizioni spingidisco	Slave seal kit	X			
4	CP3457-9	Cuscinetto reggispinta Ap D50	AP Clutch release bearing D50	X			

40C - ENGINE

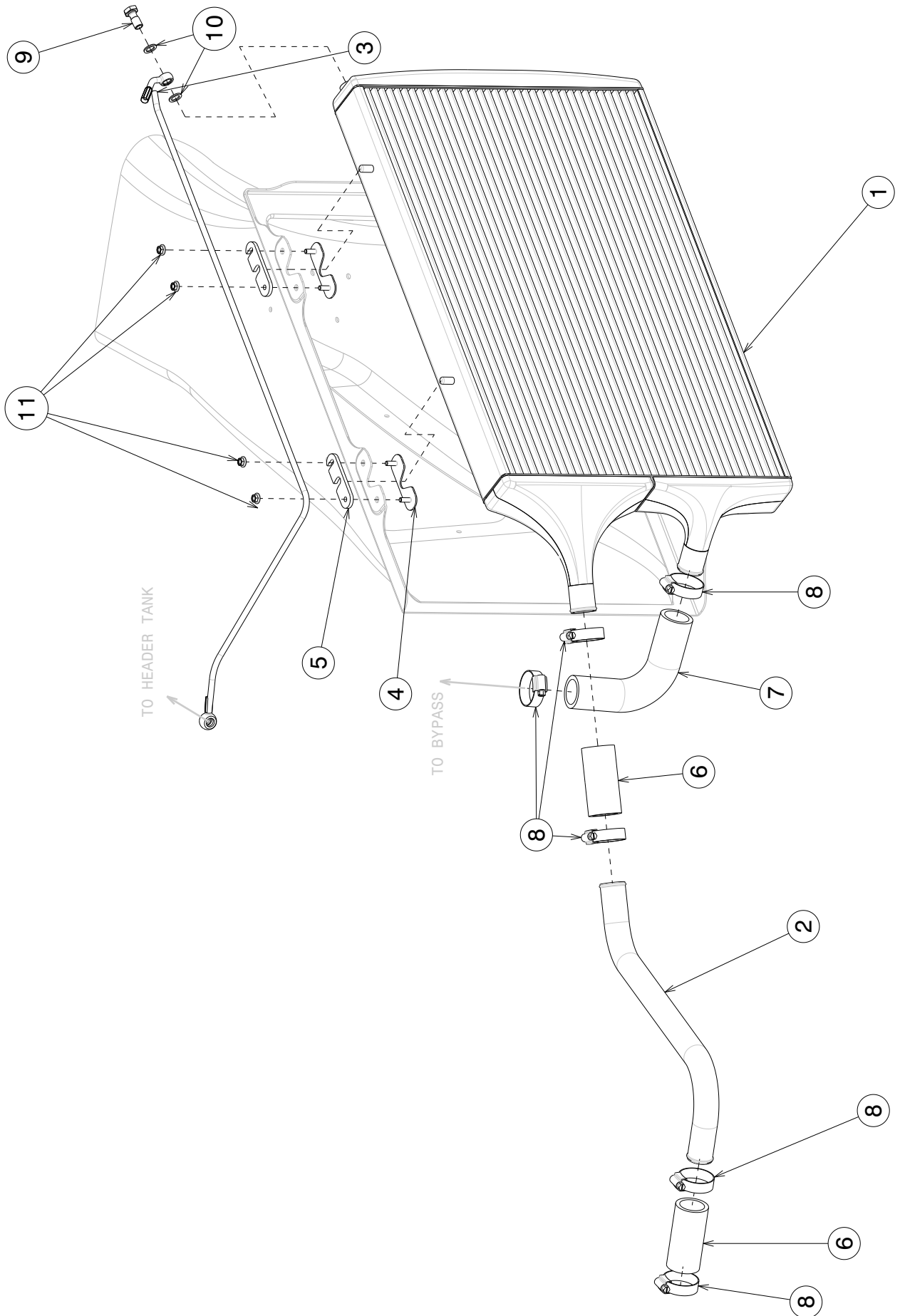


40C - ENGINE

Item	Part Number	Descrizione	Description	1	2	3	Notes
1	3340003	Frame Motore SX	Engine Frame Lh	X			
2	3340004	Frame Motore DX	Engine Frame Rh	X			
3	161401005	Prigioniero Motore	Engine stud	X			
4	090922004	Boccola traversa motore	Engine bush	X			
5	090922011	Prigioniero 10x40	Stud	X			
6	010022013	Prigioniero 10x50	Stud	X			
7	010022016	Boccola Motore	Chassis Bush	X			
8	AST-08	K-nut	K-nut			X	
9	AST-10X1,5	K-nut	K-nut			X	
10	UNI5931-M10x25	vite TC	SHCS screw			X	
11	UNI6592-8	Rondella piana	Plain washer			X	
12	UNI6592-10	Rondella piana	Plain washer			X	
13	DIN433-10	Rondella piana	Plain washer			X	
14	DIN988-1224010	Rondella di Spessoramento 0.1mm	Spacer Washer 0.1mm		X		•
	DIN988-1224030	Rondella di Spessoramento 0.3mm	Spacer Washer 0.3mm		X		•

#14 DIN988-1224010 Number and stack of shim is free.
 DIN988-1224030 Number and stack of shim is free.

41A - ENGINE COOLING

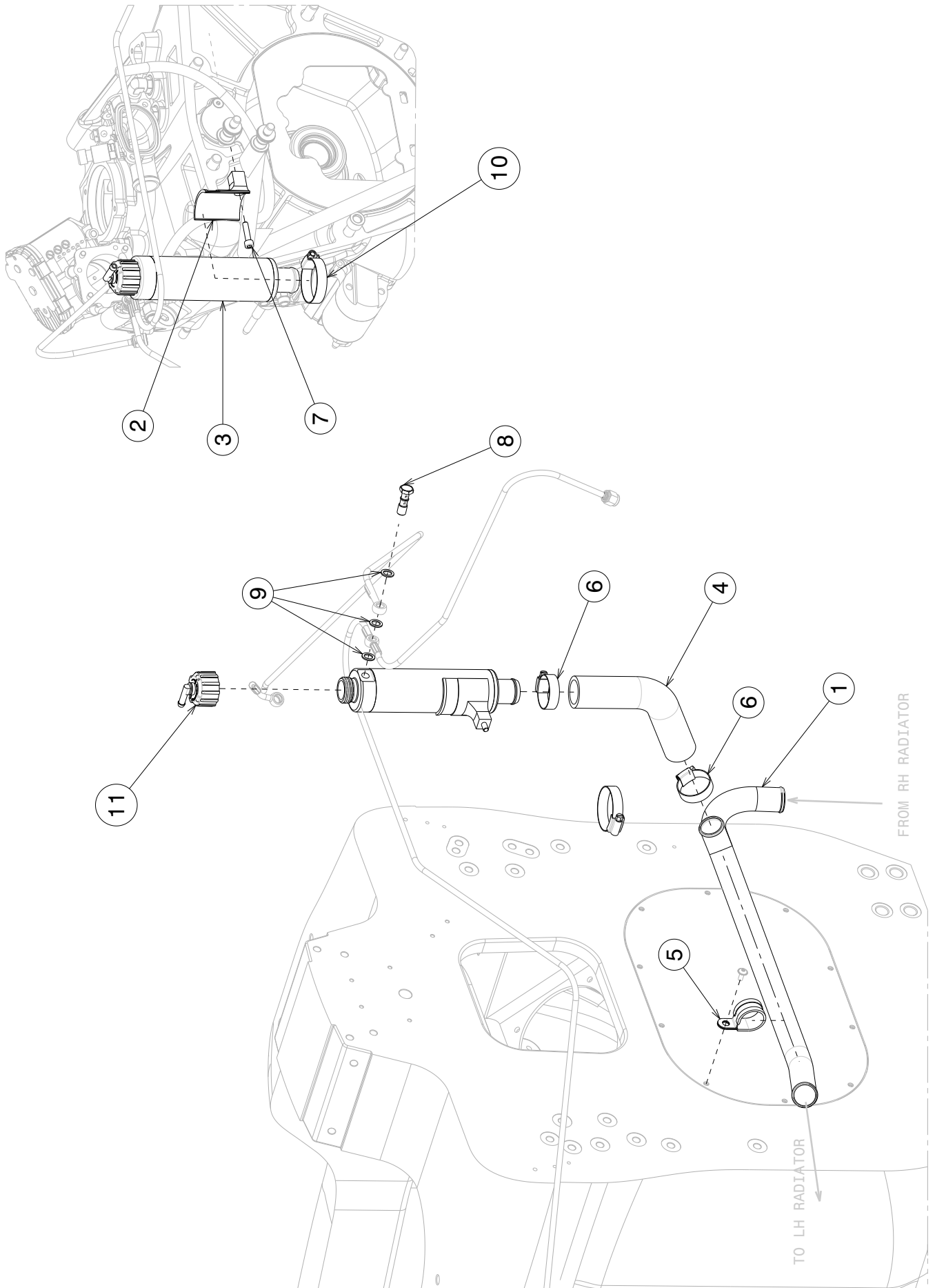


41A - ENGINE COOLING

Item	Part Number	Descrizione	Description	1	2	3	Notes
1	3341004	Radiatore acqua Dx	Water radiator RH		X		•
2	3341009	Tubo uscita motore	Engine outlet pipe	X			
3	3341011	Sfiato radiatore DX	RH radiator breather	X			
4	2402031	Piastrina fissa fissaggio radiatore	Radiator holder pin	X			
5	2402032	Piastrina mobile fissaggio radiatore	Radiator holder latch	X			
6	SCH28	Manicotto	Silicon hose			X	
7	E9028	Manicotto	Silicon hose			X	
8	010019016	Fascetta ABA 26-38	ABA Clamp			X	
9	77503	Vite banjo 3/8 24 UNF	Banjo bolt 3/8 24 UNF			X	
10	4451603	Rondella di rame	Copper washer			X	
11	DIN6927-M5	Dado flangiato autofrenante	K-lock			X	

#1 3341004

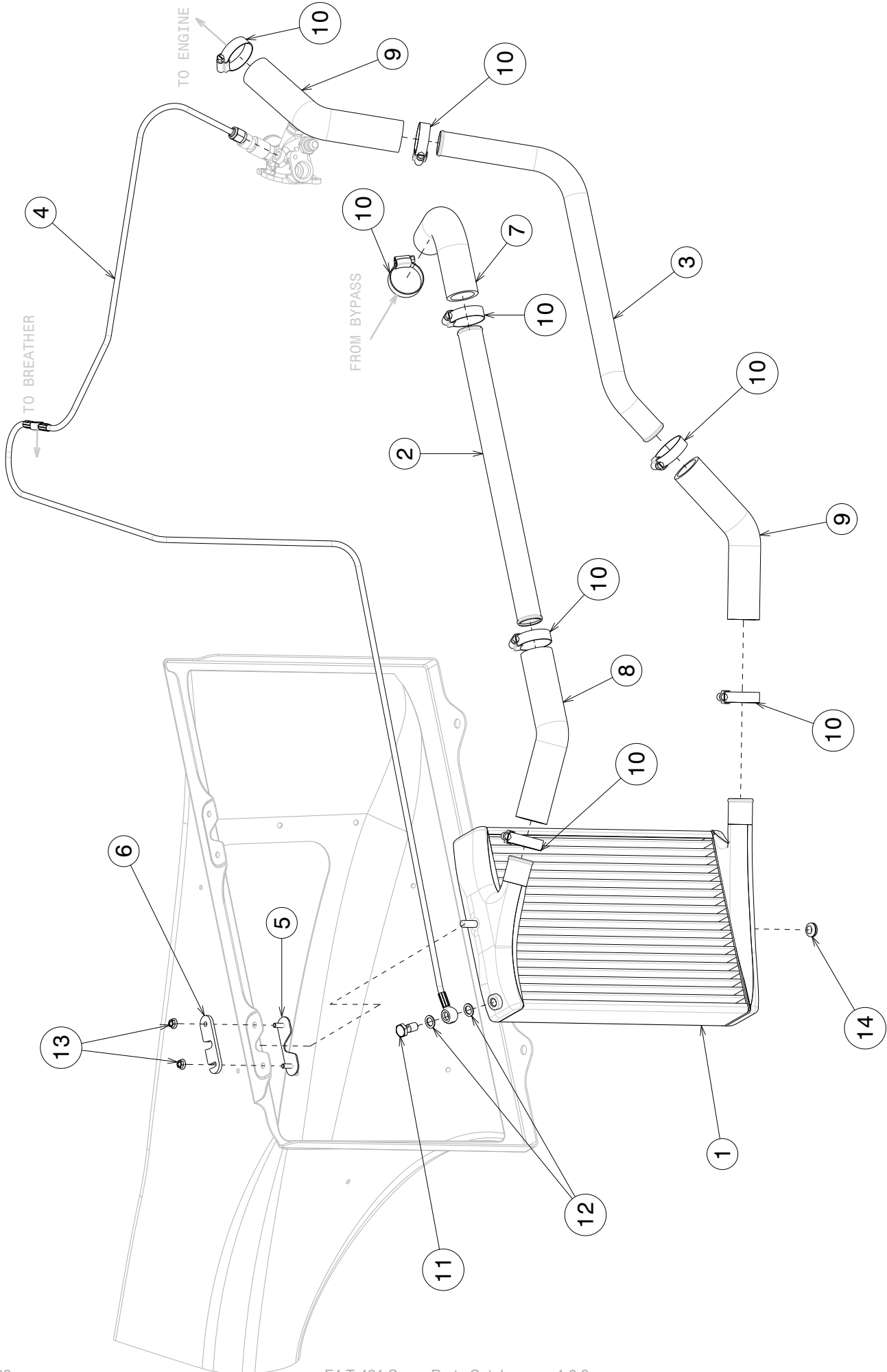
It is possible to repair small leaks provided that no additional welding is applied. No modification to the original welding is allowed.



41B - ENGINE COOLING

Item	Part Number	Descrizione	Description	1	2	3	Notes
1	3341008	Tube acqua by-pass completo	Water by-pass pipe assy	X			
2	090922010	Supporto vaso espansione	Water tank bracket	X			
3	091019008	Vaso di espansione	Water tank	X			
4	E6028	Manicotto	Silicon hose			X	
5	PAS028	Fascetta Blueline	Blueline clamp			X	
6	010019016	Fascetta ABA 26-38	ABA Clamp			X	
7	UNI5931-M6X25	vite TC	SHCS screw			X	
8	9930331P	Vite banjo	Banjo bolt			X	
9	4451603	Rondella di rame	Copper washer			X	
10	ABA38-50X12	Fascetta ABA	ABA Clamp			X	
11	5050115	Tappo vaso espansione (1.5 bar)	Header tank cap (1.5 bar)	X			

41C - ENGINE COOLING

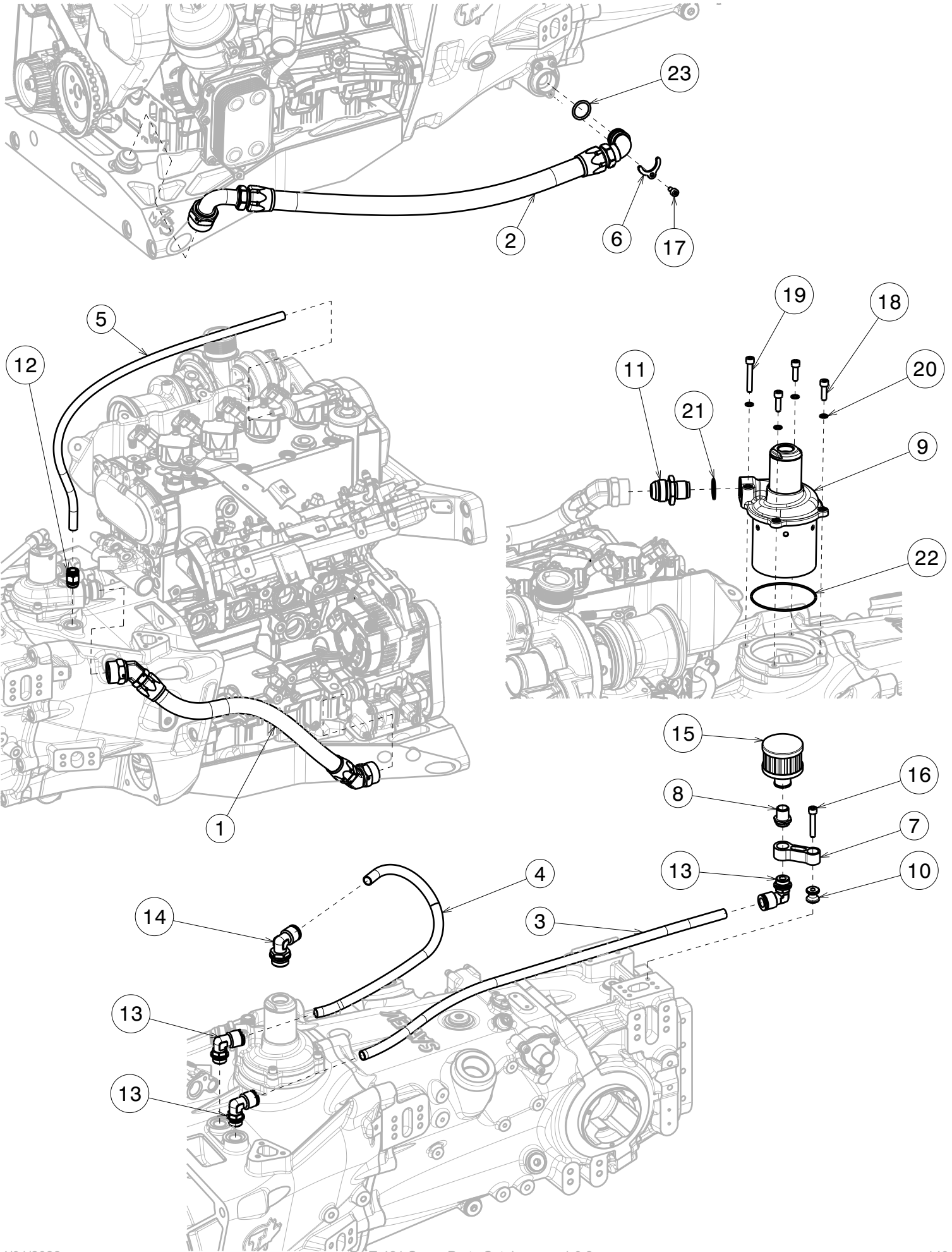


41C - ENGINE COOLING

Item	Part Number	Descrizione	Description	1	2	3	Notes
1	3341005	Radiatore acqua SX	Water radiator Lh		X		•
2	3341007	Tubo ingresso radiatore Sx	Lh radiator inlet pipe	X			
3	3341010	Tubo rientro motore	Engine inlet pipe	X			
4	3341012	Tubo sfiato radiatore SX	LH radiator breather	X			
5	2402031	Piastrina fissa fissaggio radiatore	Radiator holder pin	X			
6	2402032	Piastrina mobile fissaggio radiatore	Radiator holder latch	X			
7	E9028	Manicotto	Silicon hose			X	
8	E3028	Manicotto	Silicon hose			X	
9	E4528	Manicotto	Silicon hose			X	
10	010019016	Fascetta ABA 26-38	ABA Clamp			X	
11	77503	Vite banjo 3/8 24 UNF	Banjo bolt 3/8 24 UNF			X	
12	4451603	Rondella di rame	Copper washer			X	
13	DIN6927-M5	Dado flangiato autofrenante	K-lock			X	
14	05616648	Passacavo	Cable grommet			X	

#1 3341005

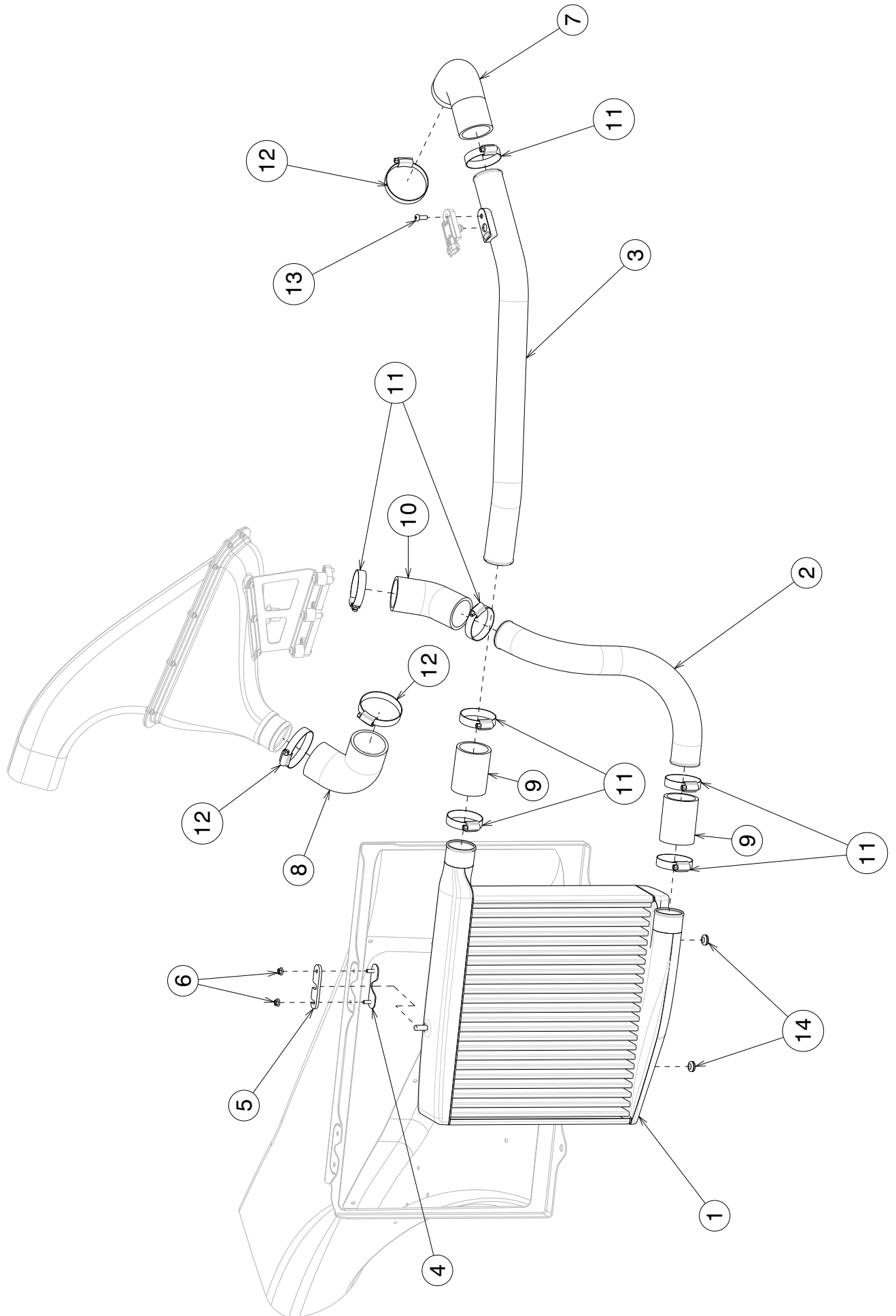
It is possible to repair small leaks provided that no additional welding is applied. No modification to the original welding is allowed.



42 - ENGINE LUBRICATION

Item	Part Number	Descrizione	Description	1	2	3	Notes
1	3342002	Tube olio: OUT_pump - IN_tank	Oil hose: OUT_pump - IN_tank	X			
2	3342005	Tube Olio: serbatoio olio OUT - carter secco IN	Oil hose: oil tank OUT - dry sump IN	X			
3	3342006	Tube elastollan ø12X9 L600	Elastollan hose ø12X9 L600			X	
4	3342007	Tube elastollan ø12X9 L400	Elastollan hose ø12X9 L400			X	
5	3342008	Tube elastollan ø10X8 L600	Elastollan hose ø10X8 L600			X	
6	2742004	Flangia premiraccordo	Fitting holding flange	X			
7	2742013	Supporto sfiato	Breather mount	X			
8	2440017	Raccordo sfiato	Breathing fitting	X			
9	211620001	Degasatore	Swirlpot		X		•
10	211619014	Distanziale	Spacer	X			
11	122215300	Adattatore M22x1.5 - Dash 12	Adaptor M22x1.5 - Dash 12			X	
12	5000000008A	Raccordo D10 3/8 Gas	Breathing Elbow			X	
13	RL3112-3/8	Raccordo D12 3/8 Gas	Breathing Elbow			X	
14	RL311212	Raccordo D12 1/2 Gas	Breathing Elbow			X	
15	CY50	Filtro aria	Air filter			X	
16	UNI5931-M6X35	vite TC	SHCS screw			X	
17	UNI5931-M5X10	vite TC	SHCS screw			X	
18	UNI5931-M6X20	vite TC	SHCS screw			X	
19	UNI5931-M6X40	vite TC	SHCS screw			X	
20	RZS-6	Rondella zigrinata	Safety washer			X	
21	RR2226	Rondella di rame	Copper washer			X	
22	ORN-2312	O-ring	O-ring			X	
23	ORV-3081	O-Ring	O-Ring			X	

#9 211620001 It is allowed to add a blind rivet to secure the cap.

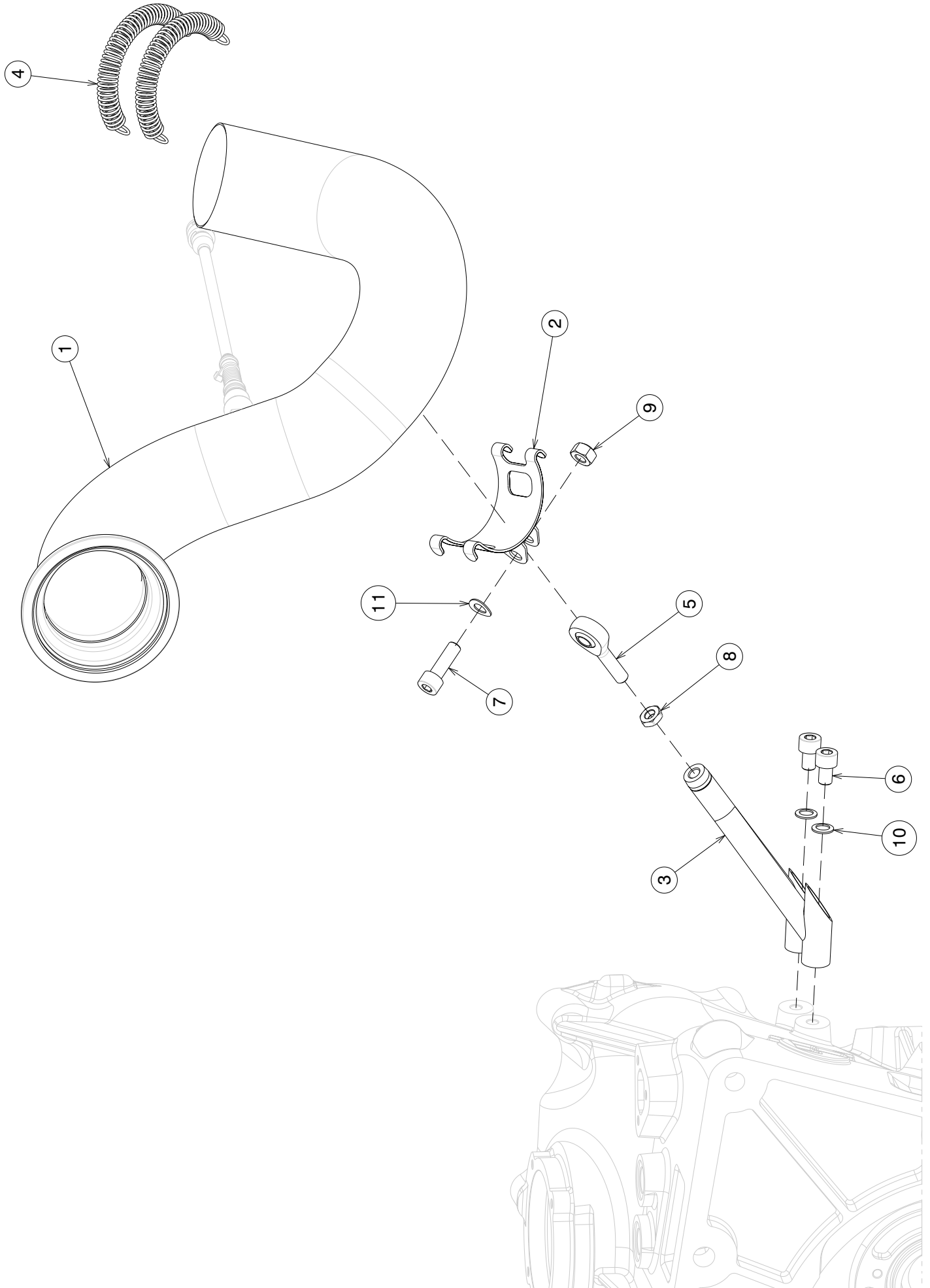


43 - AIR SYSTEM

Item	Part Number	Descrizione	Description	1	2	3	Notes
1	3343004	Intercooler	Intercooler		X		•
2	3343007	Tubo inlet intercooler	Intercooler inlet pipe	X			
3	3343008	Tubo outlet intercooler completo	intercooler outlet pipe assy	X			
4	2402031	Piastrina fissa fissaggio radiatore	Radiator holder pin	X			
5	2402032	Piastrina mobile fissaggio radiatore	Radiator holder latch	X			
6	DIN6927-M5	Dado flangiato autofrenante	K-lock			X	
7	RE905145	Manicotto	Silicon hose			X	
8	E9051	Manicotto	Silicon hose			X	
9	SCH45	Manicotto	Silicon hose			X	
10	E4545	Manicotto	Silicon hose			X	
11	ABA44-56X12	Fascetta ABA	ABA Clamp			X	
12	ABA50-65X12	Fascetta ABA	ABA Clamp			X	
13	UNI7380-M6X16	vite TB	SHBS screw			X	
14	05616648	Passacavo	Cable grommet			X	

#1 3343004

It is possible to repair small leaks provided that no additional welding is applied. No modification to the original welding is allowed.



44 - EXHAUST SYSTEM

Item	Part Number	Descrizione	Description	1	2	3	Notes
1	3344001	Scarico Completo	Exhaust Assy		X		•
2	3344003	Culla scarico	Exhaust bracket	X			
3	3344004	Supporto Scarico	Exhaust Bracket	X			
4	020225009	Molla	Spring	X			
5	CM8-M8	Testa Snodo 8/M8x1.25	Rod End			X	
6	UNI5931-M8X12	vite TC	SHCS screw			X	
7	UNI5931-M8X25	vite TC	SHCS screw			X	
8	UNI5589-M8	Dado Esagonale Basso	Thin Hex Nut			X	
9	DIN980-M8	Dado autobloccante trilobato	Prevailing Torque Nut			X	
10	RZS8	Rondella zigrinata	Safety washer			X	
11	UNI8840B-8	Rondella ondulata	Crinkle washer			X	

#1 3344001 Local welding repair nearby the flange is allowed.